



Frontier Treehouse

Timber Shield Post Option
BOXES: W-1, TSB, 120

Model: 1500BWF

(BOXES: 1501, 1503N, 1510,
1511, 1523, 1530, 1525, Tire
Swing Box & Slide Box)

Amber Post Option
BOXES: 1520-2bx, 1522,
1524

Copyright © 2016 Gorilla Playsets
All Rights Reserved



51-0052-W

190 Etowah Industrial Court
Canton, GA 30114

www.gorillaplaysets.com

*****IMPORTANT NOTICE FOR TREEHOUSE KIT PLAYSETS*****

Read all instructions thoroughly before beginning construction, this is very important. The "Treehouse Add On Kit" (1525) box will require you to deviate slightly from the standard kit instructions.

Typical deviations include:

1) The Telescope that is usually on the front of the set on the Front face board (arched board) must be moved to another location on the set. Additional instructions to mount the Telescope to a 2 x 4 or a 4 x 4 are included in the play set Appendix or with the "Treehouse Add On Kit" manual. Mount the Telescope along the top of any of the railings that do not interfere with any areas that are activity openings.

2) The Roof Peak Support Triangle will need to be removed from the inside of the Roof Supports located on the front of the play set. The Plastic Sunburst should be left off the front of the play set. The "Treehouse Add On Kit" will be added to the front of the play set.

3) Flag Kits which normally reside on the front of the front corner posts at the top should be relocated to the front slats on the "Treehouse Add On Kit"

Wood/Accessory and Hardware Lists:

These lists for the "Treehouse Add On Kit" are in the Appendix at the end of your play set instruction manual or they are included with this sheet.

Steps to complete the "Treehouse Add On Kit":

The instruction steps for the "Treehouse Add On Kit" are in the Appendix at the end of your play set instruction manual or they are included with this sheet.

If you are adding the "Treehouse Add On Kit" to a playset that is already built:

It will be necessary to remove the Flags and Plastic Sunburst from the front side of your playset wood roof. Then remove the 5/4 x 10" Roof Peak Support triangle from the inside of the front Roof Supports. Keep these pieces and hardware since most will be reused during the construction process.

Fill in the holes in the corner posts from the Flags with clear silicone (not included). If you wish to fill the holes with a fastener then use #8 x 1" countersunk head screws with silicone in each hole. You will need to purchase these screws at your local home center if you choose this option.

Fill any small holes in the Roof Supports leftover from removing the Plastic Sunburst with wood filler. Use a stainable wood filler suitable for outdoor use. Then stain the wood filled spots with a suitable matching color of stain.



Please inspect and inventory all parts immediately upon accepting delivery. Use the inventory pages in the manual to make sure you have received all necessary parts. The quickest method to get any parts that are missing or damaged is to use our “Quick Response Center” located at:

www.gorillaplaysets.com/support

DO NOT RETURN THIS PRODUCT TO THE RETAILER OR CONTACT THE RETAILER DIRECTLY. THE RETAILER DOES NOT STOCK COMPONENTS.

PLEASE RETAIN ALL INSTRUCTIONS FOR FUTURE REFERENCE. KEEP THEM IN A SAFE PLACE WHERE YOU CAN REFER TO THEM AS NEEDED. CHECK FOR REVISED INSTRUCTIONS AT:

www.gorillaplaysets.com/manuals

GORILLA PLAYSETS WARRANTY – 2016

Gorilla Playsets® (“Gorilla”) warrants its play sets to be free from defects in workmanship and materials, under normal use and conditions, for 10 years for above ground structural wood components and for one year for all other components (e.g., swings, hardware, plastics, tarps, rope ladder, etc.).

Gorilla warrants all remaining products, including but not limited to its , Free Standing Swing Set, Free Standing Tire Swing, See-Saw, Children’s Picnic Table with Umbrella, Play-Zee-Bo™, Cedar Toy Chest and spring riders to be free from defects in workmanship and materials, under normal use and conditions, for a period of 1 year.

Cosmetic imperfections and natural tendencies of wood such as peeling, splintering, warping, seasonal checking or cracking, knots or knot holes, etc. are normal characteristics of all outdoor wooden play equipment and are not covered by this warranty. Checks or cracks in wood components that do not affect the intended function of the part, piece or overall swing set are not covered under this warranty.

Wood rot or decay that develops because the product was installed in an area with poor drainage is not covered under this warranty. Lumber that has been damaged by wood boring bees, or conditions that develop as a result of faulty or improper installation of the product, are not covered by this warranty. Fading of stain, discoloration or mold on any wood part or accessory is not covered by this warranty. Cracks in plastic components, surface rust on hardware and chips on powder coated materials are not considered defects in material as long as they do not affect the functionality or structural integrity of the part or component.

It is the owner’s responsibility to maintain the swing set. **This includes but is not limited to staining and sealing the lumber as needed and regular inspection to be sure all hardware is tight.** Instructions for proper maintenance can be found on Gorilla’s website. Imperfections or conditions that develop because of a failure to properly maintain the swing set are not covered by this warranty.

Gorilla will, at its discretion, replace any above ground part within the stated warranty period that is defective in workmanship or materials. This decision is subject to verification of the defect, which, at Gorilla’s discretion, may be accomplished by submitting photographs or by delivery of the defective part to Gorilla Playsets • 190 Etowah Industrial Ct. • Canton, GA 30114 • 1-800-882-0272 Monday to Friday 9AM-5PM EST. Any warranty claim must include proof of purchase, including the date of purchase. **In addition, within the first 30 days from the date of purchase, Gorilla will replace any parts discovered to be missing from or damaged in the original packaging.**

This warranty is valid only if the product is used for the purpose for which it was designed and installed at a residential, single-family dwelling. This warranty is void if the product is used in a commercial, institutional or multi-family setting. **This warranty does not cover normal wear and tear or (a) products that have been damaged by acts of God and/or nature, negligence, misuse or accident; (b) products that have been modified or repaired by unauthorized persons; (c) the cost of labor; or (d) the cost of shipping any replacement product or part.**

GORILLA DISCLAIMS ALL OTHER REPRESENTATIONS AND WARRANTIES OF ANY KIND, EXPRESSED, IMPLIED, STATUTORY OR OTHERWISE, INCLUDING THE IMPLIED WARRANTIES OF MERCHANTABILITY AND FITNESS FOR A PARTICULAR PURPOSE. GORILLA WILL NOT BE LIABLE FOR ANY INCIDENTAL OR CONSEQUENTIAL DAMAGES. This warranty is non-transferable and does not extend to the owners of the product subsequent to the original purchaser. Some states do not allow limitations on implied warranties or exclusion of incidental or consequential damages, so these restrictions may not be applicable to you. This warranty gives you specific legal rights. You may also have other rights which vary from state to state.

IMPORTANT SAFETY GUIDELINES

This product is recommended for use by children ages 3-11. This product is intended for residential use only and not intended for use in any public setting. A safety surface such as mulch or recycled tire should be used under the play set to prevent injury from falls. Also a 6 foot safety zone should be used around the entire play set.

As with any home project, good judgment and respect for power tools will greatly reduce the risk of injury. Gorilla recommends you follow all tool manufacturers' safety guidelines. Always wear eye protection and safety gloves to prevent injury. In several phases of construction two people may be required for lifting and securing of lumber. While the play set is being constructed, please keep children off the equipment until the project is complete. Bolts and screw heads should be checked regularly for tightness. The ground ladder, rope ladder, slide, swings and other areas where children spend a majority of their playtime should be checked more frequently.

Gorilla shall not be liable for incidental, indirect or consequential damages or injuries that result from building and/or playing on our play sets. Adult supervision is recommended anytime a play set is being used.

WEIGHT LIMITS FOR GORILLA PLAYSETS

- FORT PLATFORMS: 800 LBS. TOTAL WEIGHT
- SWING BELT: 225 LBS.
- TANDEM SWINGS: 70 LBS. PER CHILD. UP TO 140 LBS. TOTAL WEIGHT.
- TRAPEZE: 125 LBS.
- FULL BUCKET SWING/ HALF BUCKET SWING: 50 LBS.
- HEAVY DUTY TODDLER BUCKET SWING: 85 LBS.
- INFANT SWING: 35 LBS.
- TIRE SWING: 125 LBS. TOTAL WEIGHT
- ROPE LADDER: 75 LBS.
- ROCK WALL: 150 LBS.
- CLIMBING RAMP: 150 LBS.
- MONKEY BARS: 175 LBS.
- ALL SLIDES: 150 LBS.

Gorilla recommends that the weight limits for all components must not be exceeded. Failure to adhere to these and other safety guidelines could result in damage to the play set and injury to the users.

THIS PAGE INTENTIONALLY LEFT BLANK

WARRANTY REGISTRATION

- FRONTIER TREEHOUSE-

Gorilla Playsets™ manufactures the finest quality products that are designed for outstanding strength and durability. We back our products with an unparalleled warranty. In the unlikely event that you will need to contact us about covered repairs, we must have a valid Warranty Registration on file.

3 EASY WAYS TO REGISTER	
OPTION 1	Fax this completed form to: (800) 880-3300 OR Mail this completed form to: Gorilla Playsets 190 Etowah Industrial Court Canton, GA 30114
OPTION 2	Complete the online registration form at: http://www.gorillaplaysets.com/register
OPTION 3	Scan this QR Code with your smartphone to complete the form using your phone: 

Where did you buy this product?

Date of Purchase _____ Store _____ Store City _____ Store State _____

Your registration information:

Name: _____ Email: _____

Address: _____
Street _____ City _____ State _____ Zip _____

Please select your age 18-30 41-50
 31-40 51+

How old are your children? 2-3 6-7
 4-5 8+

How would you rate the quality of this product?
 ★★★★★ Excellent
 ★★★★ Above Average
 ★★★ Average
 ★★ Below Average
 ★ Poor

Would you recommend this product to friends & family? Yes No

Comments: _____

THIS PAGE INTENTIONALLY LEFT BLANK

IMPORTANT – PLEASE READ

Congratulations! You have just purchase one of the finest residential wooden swing sets available today. As with any wooden product that spends its entire life outside, in varying elements, it is important to know what to expect with your new swing set so that your family can enjoy it for many years.

As your swing set acclimates to its new environment, natural characteristics of the wood can show in the form of checks, or “cracks” in the lumber. In almost all cases this is normal and it will not affect the structural integrity of your play set and is not covered under warranty.

KEEPING YOUR PLAYSET LIKE NEW

MUST DO's

The following owner responsibilities are crucial to the safety, integrity and aesthetic appeal of your swing set and may affect the warranty if not adhered to.

WITHIN 60 DAYS

- Check and tighten Hex Bolts/T-nuts, Carriage Bolts/Lock-nuts, and Lag Screws within the first 60 days and then twice annually – once before each season and then once during the season.

WITHIN 90 DAYS

- Apply a **sealant** or **semi-transparent stain with sealant** within the first 90 days of owning the swing set. Our own Stain/sealant is available online here: <http://www.gorillaplaysets.com/Playground-Sealant-p/10-0003.htm>

Oil based stain or water based stain may be used. Should you choose to use other stain we suggest asking the product covering specialists at any number of specialty paint stores or home improvement centers for a product that would work best for your local environment. ** TIP – while the set is new, take a small board from the store with you so they can color match the tint of the stain or sealant.

SEASONAL REMINDERS

- If your area experiences regular snowfall, remove your fabric tarp/canopy to avoid stretching, sagging or tearing of the material. Store it inside, folded up, and it will be as good as new when winter is over.
- If your area experiences extremely cold temperatures, remove swing belts and other pliable features to prolong the lifespan of these play activities.

OTHER TIPS

- Spray swing hangers with Pam, Mazola or olive oil to stop squeaking; do not use petroleum based products such as WD-40 or motor oil.
- To repel yellow jackets and wasps, use a cotton ball and dab interior wooden corners underneath the play set deck with a liquid dish soap. Avoid using insecticides.
- To speed up the slide wipe the center of slide with wax paper every 2 - 3 weeks.

For additional safety and maintenance guidelines, please visit our website.



IMPORTANT DOCUMENTS

CUSTOMER MUST READ AND RETAIN

Please go to the following links and read important **SAFETY** information prior to using your new play structure.

<http://www.gorillaplaysets.com/Swing-Set-Safety-s/85.htm>

<https://www.gorillaplaysets.com/Maintenance-s/129.htm>

<http://www.gorillaplaysets.com/manuals.html> (Click on your specific model)

<http://www.gorillaplaysets.com/Warranty-s/82.htm>

NOTE: Your children's safety is our #1 concern. Observing the following statements and warnings reduces the likelihood of serious injury. Please review these safety rules regularly with your children.

WARNING:

Children must NOT use this play set until it has been completely assembled and inspected by an adult to ensure it has been properly installed.

Gorilla Playsets
190 Etowah Industrial Court
Canton, GA. 30114

Model 1500BW shown.
See cover of manual for
the image of your model
when it is completed.



Timber Shield Post Option
BOXES: W-1, TSB, 120

**Models: 1500BW
1500BWF**

[BOXES: 1501, 1503N,
1510, 1511, 1523, 1525*, 1530,
Tire Swing Box & Slide Box]

*1525 only included with
1500BWF Treehouse model.

REV: 9.17.2015

Amber Post Option
BOXES: 1520-2bx, 1522,
1524

TABLE OF CONTENTS

Safety Guidelines.....	Pages 3-6
Leveling Fort, General Information and Definitions.....	Pages 6-8
How to Install T-Nuts, Board Identification, Predrill Lag Screw Directions and Swing Beam Loading.....	Pages 9-13
Site Plan, Required Tool List and Kit Contents.....	Pages 14-15
Hardware, Lumber and Accessory Checklists.....	Pages 16-35
Adding T-Nuts to Corner Posts.....	Step 1
Framing Fort.....	Steps 2-9
Mounting Deck.....	Step 10
Rock Wall Assembly and Installation.....	Steps 11-15
Ramp Assembly and Installation.....	Steps 16-19
Angle Supports, Center Post and Panel Slat Installation.....	Steps 20-22
Swing Beam Assembly.....	Steps 23-30
Roof Assembly.....	Steps 31-34
Hanging Swings, Safety Board.....	Steps 35-36
Picnic Table Assembly and Installation.....	Steps 37-39
Tire Swing Assembly and Installation.....	Steps 40-47
Rope Ladder Assembly and Installation.....	Step 48
Slide, Telescope.....	Steps 49-50
Tic Tac Toe Assembly and Installation.....	Steps 51-52
Safety Handles, Climbing Ropes and Flag Kit.....	Steps 53-56
Sandbox Seats/Name Plate, Plastic Sunbursts, Ground Stakes and Steering Wheel.....	Steps 57-60
Appendix: Chimney and Dormer Instructions, etc.....	Page 106

**PLEASE READ OWNER'S MANUAL CAREFULLY
BEFORE STARTING ASSEMBLY!**

Safety and Maintenance Tips for Your New Play Set:

NOTE: Your children's safety is our #1 concern. Observing the following statements and warnings reduces the likelihood of serious or fatal injury. Please review these safety rules regularly with your children.

- This play set is designed for the use of 4 occupants who have a combined weight not exceeding 800 pounds on the elevated floor, 3 occupants who have a combined weight of 425 pounds on the swing area, for a total Unit capacity of 7 occupants who have a combined weight of 1225. (This weight does not include any picnic table area(s).)
- On-site adult supervision is required.
- Teach children not to walk close to, in front of, behind, or between moving swings or other moving playground equipment.
- Teach children to sit in and never stand on swings
- Teach children not to twist the chains and ropes and not to loop them over the swing beam, since this may reduce the strength of the chain or rope.
- Teach children not to jump from swings or other playground equipment in motion.
- Teach children not to push empty seats. The seat may hit them and cause serious injury.
- Teach children to sit in the center of the swings with their full weight on the seats.
- Teach children not to use the equipment in a manner other than intended.
- Teach children to always go down slides feet first. Never slide headfirst.
- Teach children to look before they slide to make sure no one is at the bottom.
- Teach children to never run up a slide, as this increases their chances of falling.
- The parents should have the children dress appropriately with well-fitting shoes. Loose clothing such as scarves and ponchos should not be worn. Always take off, tie up or tuck in cords and drawstrings on children's clothing. These things can get caught on playground equipment and strangle a child.
- Teach children not to climb when the equipment is wet.
- Teach children to never jump from a fort deck. They should always use the ladder, ramp or slide.
- Teach children to never crawl or walk across the top of monkey bars or swing beam.
- Teach children to never crawl on top of a fort roof or on the outside of a tube slide.
- Verify that any suspended climbing ropes, chains, or cables are secured at both ends and that they cannot be looped around an adult hand.
- Teach children not to attach items to the playground equipment that are not specifically designed for use with the equipment, such as, but not limited to, jump ropes, clothesline, pet leashes, cables and chain as they may cause a strangulation hazard.
- Teach children to never wrap their legs around swing chain.
- Teach children to never slide down the swing chain.
- Teach children to remove their bike or other sports helmet before playing on the playground equipment.
- Teach children to NEVER look at the sun or other bright light through any accessory such as but not limited to a telescope, periscope or binoculars.

WARNING: Children must NOT use this play set until it has been completely assembled and inspected by an adult to insure it has been properly installed and the swing beam legs are anchored.

Safety and Maintenance Tips for Your New Play Set: (continued)

Playgrounds should be inspected on a regular basis. If any of the following conditions are noted, they should be removed, corrected, or repaired immediately to prevent injuries.

- Hardware that is loose, worn or that has protrusions or projections.
- Exposed equipment footings.
- Scattered debris, litter, rocks, or tree roots.
- Splinters, large cracks, and decayed wood components.
- Deterioration and corrosion on structural components, which connect to the ground.
- Missing or damaged equipment components, such as handholds, guardrails, swing seats.
- Check all nuts and bolts twice monthly during the usage season and tighten as required. (But not so tight that you crack the wood) We recommend you check the swing beam and hardware often due to wood expansion and contraction. It is particularly important that this procedure be followed at the beginning of each season.
- Remove plastic swing seats and take indoors or do not use when the temperature drops below 32°F. Reinstall swings and other swing equipment at the beginning of the usage season.
- Oil all metallic moving parts monthly during the usage period.
- Check all coverings for bolts and sharp edges twice monthly during usage season to be certain they are in place. Replace when necessary. It is especially important to do this at the beginning of each new season.
- Check swing seats, ropes, cables and chains monthly during usage season for evidence of deterioration. Replacement should be made of any swing seat that has developed cracks in the plastic seats. Ropes, cables and chains should be removed and replaced if excessive wear is found. Contact us for warranted replacement parts.
- Swing chains, rings, ropes, etcetera should always be fastened to a rotating swing hanger. NEVER attach a chain, ring, rope, etcetera to a stationary hanger such as but not limited to an eye bolt. Severe wear could occur leading to an injury.
- For rusted areas on metallic members such as monkey bars, hand supports brackets, etc.; sand and repaint, using a non lead-based paint meeting the requirements of Title 16 C.F.R. Part 1303. These requirements are available at: <http://www.cpsc.gov/>
- Inspect wood parts monthly. The grain of the wood sometimes will lift in the dry season causing splinters to appear. Light sanding may be necessary to maintain a safe playing environment. If you are treating your play set with stain regularly, it will help prevent severe checking/splitting and other weather damage.
- Once or twice a year, depending on your climate conditions, you must apply some type of protection (sealant) to the wood of your unit. Prior to the application of sealant, lightly sand any “rough” spots on your set. Please note this is a requirement of your warranty.
- Creating and maintaining the play set on a level location is very important. As your children play, your play set will slowly dig its way into the soil, and it is very important that it settles evenly. Make sure the play set is level and true once each year or at the beginning of each play season.
- Twice a month during the usage season rake the playground protective surfacing materials to prevent compaction and maintain appropriate depths. Replace the protective surfacing materials as required.
- Disposal Instructions: When the play set is no longer desired, it should be disassembled and disposed of in such away that no unreasonable hazards will exist at the time the play set is discarded.

Play Set Surfacing Recommendations:

Below are some of the recommendations that the U.S. Consumer Product Safety Commission (CPSC) offers from its Handbook for Public Playground Safety. The guide can be downloaded in full at www.cpsc.gov/cpscpub/pubs/325.pdf

1. Protective Surfacing - Since almost 60% of all injuries are caused by falls to the ground, protective surfacing under and around all playground equipment is the most critical safety factor on playgrounds.

Certain manufactured synthetic surfaces also are acceptable; however, test data on shock absorbing performance should be requested from the manufacturer.

Asphalt and concrete are unacceptable. They do not have any shock absorbing properties. Similarly, grass and turf should not be used. Their ability to absorb shock during a fall can be reduced considerably through wear and environmental conditions.

Certain loose-fill surfacing materials are acceptable. Surfacing materials are acceptable, such as the types and depths shown in the table.

Fall Heights and Materials

Type Of Material	6 in. depth	9 in. depth	12 in. depth
Double-Shredded bark mulch	6' Fall Height	10' Fall Height	11' Fall Height
Wood Chips	6' Fall Height	7' Fall Height	12' Fall Height
Fine Sand	5' Fall Height	5' Fall Height	9' Fall Height
Shredded Tires*	10-12' Fall Height	N/A	N/A
Fine Gravel	6' Fall Height	7' Fall Height	10' Fall Height

*This data is from tests conducted by independent testing laboratories on a 6-inch depth of uncompressed shredded tire samples produced by four manufacturers. The tests reported critical heights, which varied from 10 feet to greater than 12 feet. It is recommended that persons seeking to install shredded tires as a protective surface request test data from the supplier showing the critical height of the material when it was tested in accordance with ASTM F1292.

It should be recognized that all injuries due to falls cannot be prevented no matter what surfacing material is used.

2. Fall Zones - A fall zone, covered with a protective surfacing material, is essential under and around equipment where a child might fall. This area should be free of other equipment and obstacles onto which a child might fall. Stationary climbing equipment and slides should have a fall zone extending a Minimum of 6' in all directions from the perimeter of the equipment.

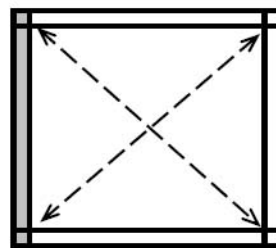
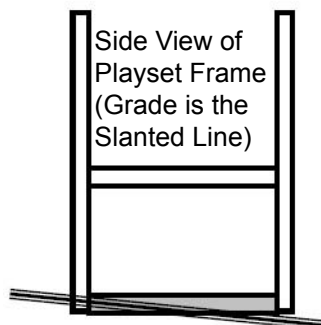
Swings should have a fall zone extending a minimum of 6' from the outer edge of the support structure on each side. The fall zone in front and back of the swing should extend out a minimum distance of twice the height of the swing as measured from the ground to the top of the swing support structure.

LEVELING YOUR FORT DURING ASSEMBLY

- Complete the steps which will be the basic frame of the fort. {i.e. four corner posts with base (sand box boards) and deck supports}
- Position in the most level area chosen for the play set, keeping in mind the location and size of the swing beam, ladder, slides, etc. that extend off the fort.
- Once the frame is in the final position, check for vertical and horizontal levelness to determine which side(s) will need to be dug into the ground to level the play set.
- With a shovel, score the ground around the outside edges of the sandbox boards on the 'high' side of the fort. This is the area that will be dug in. Make sure to score deep enough; the scored lines will be your digging template.
- Push the frame off and away from the scored area, far enough to dig and remove dirt to reach the appropriate depth.
- Dig a channel along the scored line(s) for the base of the fort (corner post and sandbox boards) to rest into. Dig the channel(s) to the same level depth. The bottom of the channel(s) should be level to each other so your frame doesn't teeter or rock because the channel(s) are uneven.
- Once you have removed enough grass and dirt, slide/push the frame into the channel(s). Place a level on the vertical and horizontal boards of the frame to determine if enough soil, or too much, was removed.
- Repeat this process until the basic frame is plumb and level and in its final position before completing the rest of the assembly.
- Measure to make sure fort is square.

Important: if you require a channel depth of more than 6", then we recommend you have your play set area professionally graded before completing assembly.

Example Play area:



The diagonal measurements should be the same from corner post to corner post. If not, adjust corner posts so that the distance is equal.

■ = Area to be scored and channeled for levelness

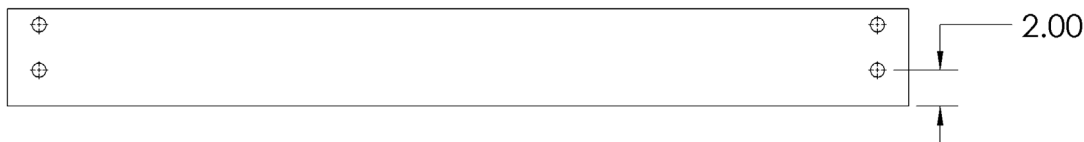
General Info to Review Before Installation

- Depending on your experience, assembly of the playset can take as little as 6 hours up to 24 hours, depending on size, after inventory of parts; therefore, we recommend you set aside a full two days for assembly.
- Identify all of the parts for your play set. Empty each box and lay out boards so you can see each part. Your instruction book will have detailed drawings that will make it easy for you to recognize individual parts. Keep all hardware and metal parts separate from wooden pieces.
- After everything is laid out, check carefully to ensure all parts are present. Make sure there are no broken boards.
- Find an area to sort your hardware. It is best to open the hardware on a solid surface so that you do not lose any pieces in the grass. This will save time and familiarize you with all the different pieces in the hardware bag.
- Important note: Wood has some natural defects such as knots, surface cracks, etc... We reject parts that are structurally defective. We use a high quality lumber in our structures; however, you should inspect each part for splinters or rough spots and sand them smooth to prevent injury.
- After familiarizing yourself with all of the components, read all instructions thoroughly. Reading instructions after you have studied the parts will help you understand the installation process, and help to eliminate unnecessary mistakes.
- Pay close attention to the diameter and length of each bolt and screw.
- Never tighten hardware completely at first. It helps to have some adjustment for bolt alignment while you are attaching parts together. After everything is square, tighten each joint.
- After the main unit is assembled it is critical that the floor is level and square. If the main frame is not level, the walls and floor will be out of square.
- After you complete installation, make sure every bolt, screw, and nut is tight, and every board is secure. Wood will expand and contract with the seasons.
- Place the set on level ground, not less than 6 feet from any structure or obstruction such as a fence, garage, house, overhanging branches, laundry lines, or electrical wires.

This page is a list of definitions and explanations used throughout our instructions to aid you in the assembly of your play set.

Offset Holes- Throughout the installation procedures we will refer to parts with offset holes. This refers to the orientation of the holes on the board. An offset hole is one that is closer to one side than it is the other or in other words, it is not centered on the board. In the procedures you will be instructed to attach the boards with the holes offset up or with the holes offset down. This refers to which side of the board the hole/holes should be closer to. Offset holes up= hole/holes will be closer to the top of the board. Offset holes down= hole/holes will be closer to the bottom of the board. Note: some parts do not have offset holes, but instead the holes are on center. Therefore there will not be any reference on how to offset these parts.

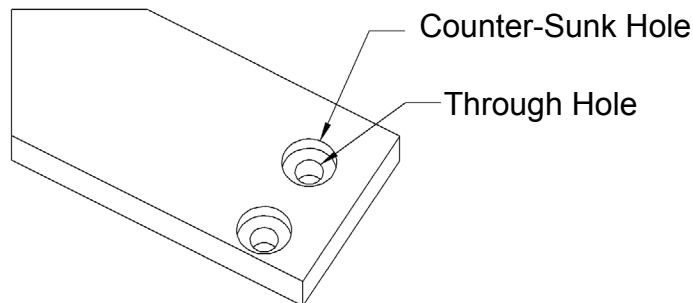
EXAMPLE OF OFFSET HOLES UP



EXAMPLE OF OFFSET HOLES DOWN



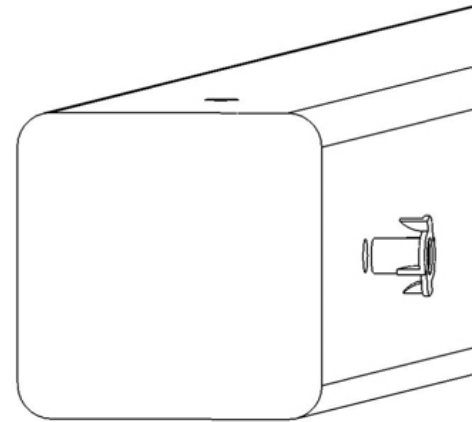
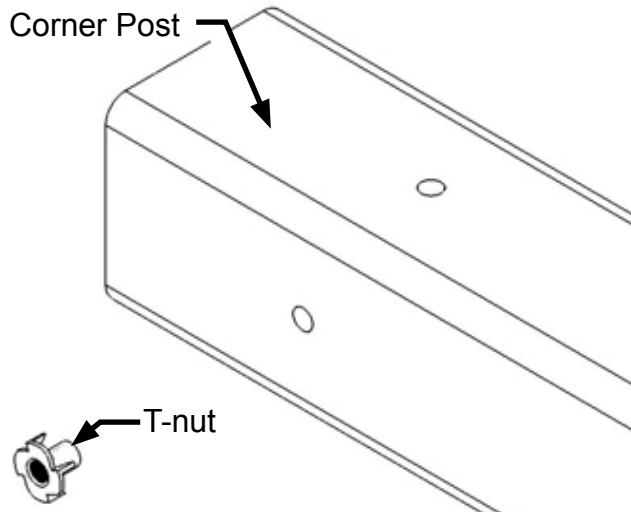
Counter-sunk holes - Many of the parts that will be used have counter-sunk holes. A counter-sunk hole is one that surrounds one side of a through hole, but does not extend through the wood it's self. When using a counter-sunk hole the bolt will be inserted through the through hole and either the head of the bolt and washer or nut and washer will occupy the counter sunk hole.



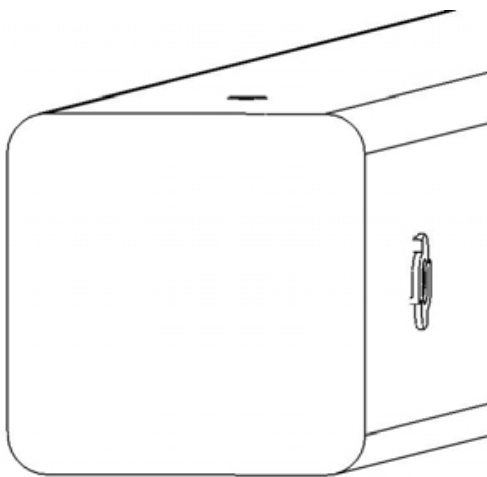
Lag Screws- Lag screws are used in the construction of our play sets to enhance the structural integrity of the unit. There will not be predrilled holes in the post for lag screw installation. Lag screws are self-tapping, though if you are using a manual socket wrench it may be advantageous to pre-drill a hole first. Instructions for this are provided on a separate page in the front of the manual. Be sure to tighten the lags completely when driving them in by hand. Power tools such as a heavy duty impact driver or large power drill should have enough torque to drive in the lag screws, but make sure not to over tighten as this can cause the threads to “strip out” in the post.

Common Installation Practice Installing T-nuts

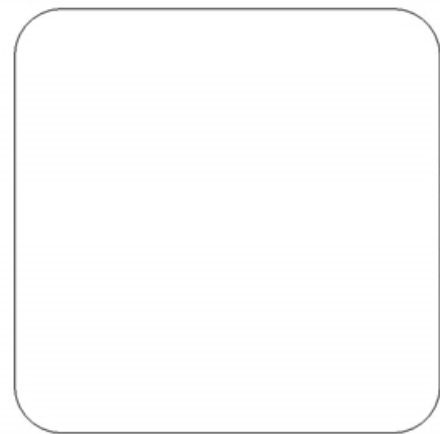
When installing T-nuts into the wood, use a smooth faced hammer to set the face of the T-nut flush into the wood.



Insert the barrel of the T-nut into the predrilled hole. Using a smooth faced hammer, drive the T-nut until the face of the T-nut is flush to the wood.

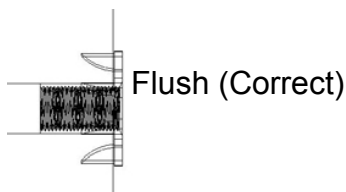


This picture shows the T-nut inserted and installed flush to the wood.



This picture shows an end view of the T-nut installed flush to the wood.

WARNING: DO NOT EMBED THE TOP OF THE T-NUT INTO THE FACE OF THE WOOD



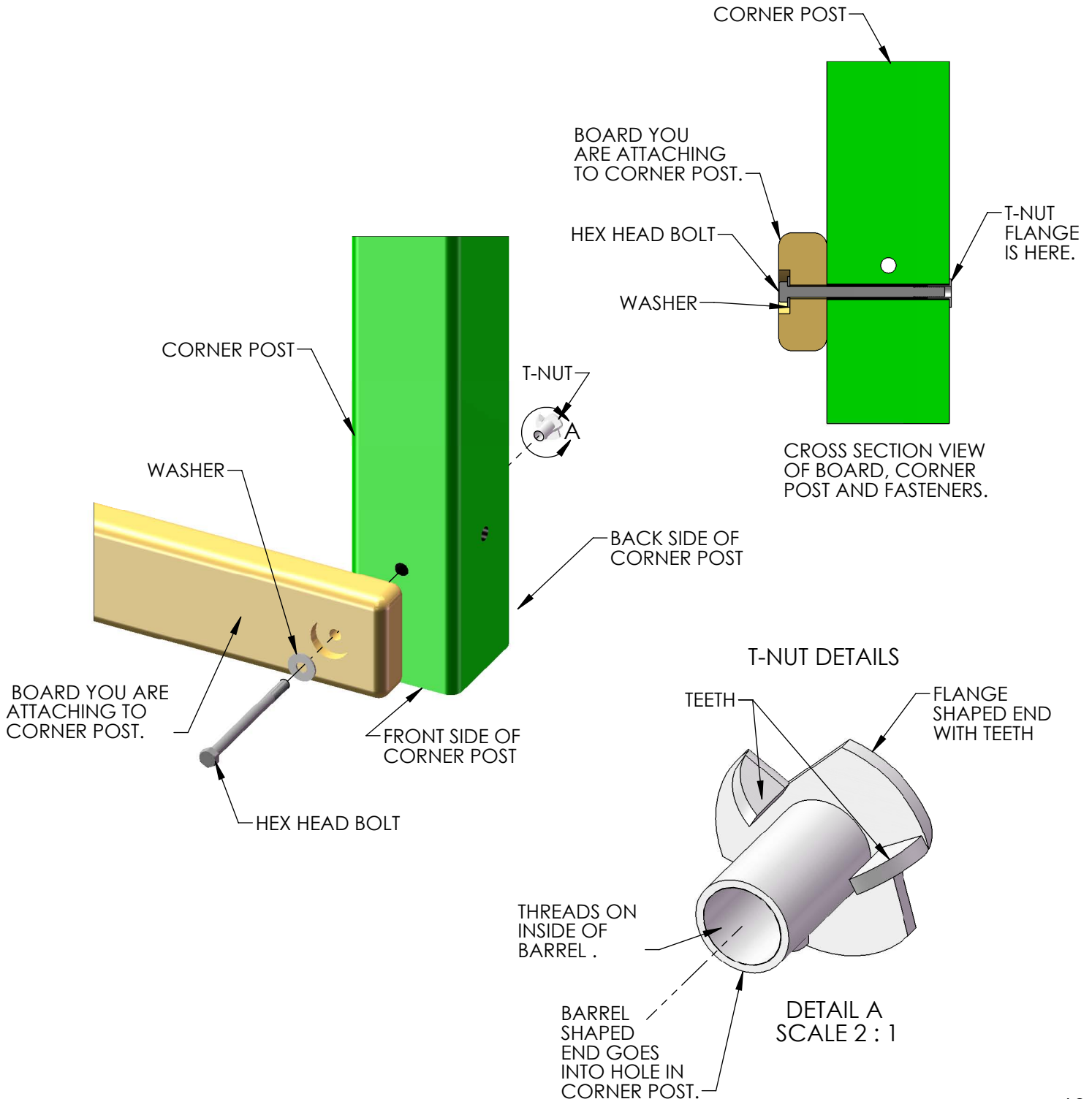
Cross Section end view, you are looking at an X-ray view of the post and T-nut. The barrel of the T-nut is in the corner post the line is the face of the wood.

HOW A T-NUT WORKS

THE FIRST STEP IN OUR ASSEMBLY INSTRUCTIONS IS TO INSERT T-NUTS INTO THE CORNER POSTS. A T-NUT IS A FASTENER WHICH IS THREADED ON THE INSIDE AND IT FUNCTIONS JUST LIKE A STANDARD HEX NUT. YOU INSERT THE T-NUTS INTO THE PREDRILLED HOLES IN THE CORNER POSTS.

THE T-NUT HAS A BARREL SHAPED END WHICH GOES INTO THE HOLE IN THE CORNER POST. THE T-NUT ALSO HAS AN FLANGE SHAPED END WITH TEETH. THE TEETH PENETRATE INTO THE CORNER POST WOOD TO PREVENT THE T-NUT FROM SPINNING WHEN YOU TIGHTEN THE HEX HEAD BOLT.

SHOWN BELOW YOU WILL SEE THE T-NUT IS HAMMERED INTO THE CORNER POST ON THE BACK SIDE. THE BOARD IS BEING ATTACHED ON THE FRONT SIDE OF THE CORNER POST.

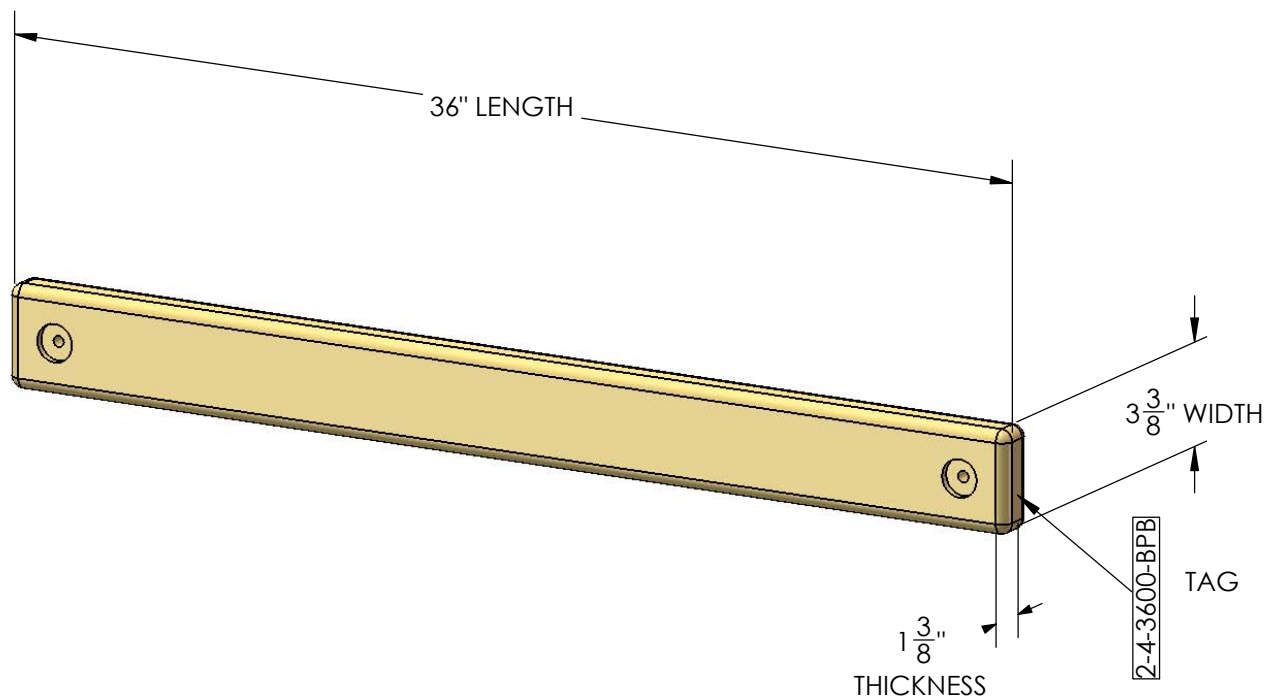


BOARD IDENTIFICATION

1. On the end of each board there should be a small white tag that is stapled or stuck into place. Remove the staples and/or tag after the board is installed.
2. This white identification tag displays the thickness, width, length and an abbreviated description of the part.

Example: a tag reads "2-4-3600-BPB"

- The 2 is the thickness of the board. "Nominal Lumber" at a home center will measure 1-1/2" for the thickness. We "remill" that lumber to 1-3/8" thick.
- The 4 is the width of the board. "Nominal Lumber" at a home center will measure 3-1/2" for the width. We "remill" that lumber to 3-3/8" wide.
Note: sometimes the width will be smaller than 3-3/8" because:
A) We need the width of the part to fit into a certain area of the play set.
B) We need the designation to be simple.
- The 3600 is the length of the board. It means the board is 36 inches long. If the code were 3625 then the board is 36-1/4" in length.
- The "BPB" abbreviation stands for "Bottom Panel Board". The wood part bill of materials in the instructions has a description which will match the abbreviation closely.
- In the event that there is no tag on a wood part measure the part then:
A) Use the measurements and compare them to the wood list at the front of the instructions to identify it.
B) Look at the holes on the wood part and compare them to the pictures in the wood list.
C) Look to see if the holes are centered or if they are offset up or offset down.
This should help you identify any parts that have missing tags. In the event that you cannot identify a board please email us for assistance.



PRE-DRILL LAG SCREW DIRECTIONS

Pre-drilling holes for lag screws will make it easier to drive the screws in by hand. "Jobber" length drill bits are available in sizes that are longer than standard drill bits and those are ideal for the job. When using the drill bit you will have to "spot" drill the post and then remove the board you are attaching to finish drilling the hole.

Pay attention to the *DIAMETER* of the lag screw you are installing. Your playset may come with two different diameter lag screws. Each diameter will require a different size drill bit. When installing lag screws **DO NOT OVERTIGHTEN.**

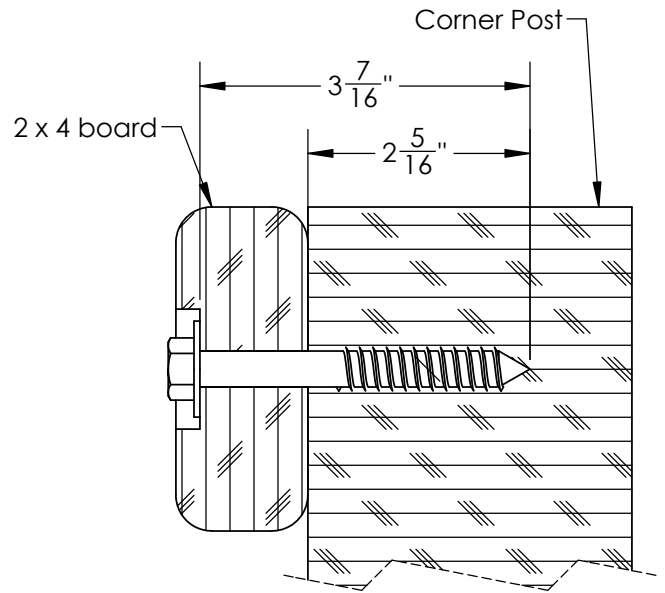
LAG SCREW DIAMETER	DRILL BIT SIZE
5/16" DIAMETER	9/64"
3/8" DIAMETER	11/64"

Example: 3/8" diameter x 3-1/2" lag screw

This would be like the 2 x 4 board installation shown below. Place the board into position. Spot Drill through the holes in the 2 x 4 board into the corner posts with an 11/64" drill bit. Remove the 2 x 4 board. Continue to drill the holes to a total depth of 2-5/16" as shown at the right. Install the 2 x 4 board.

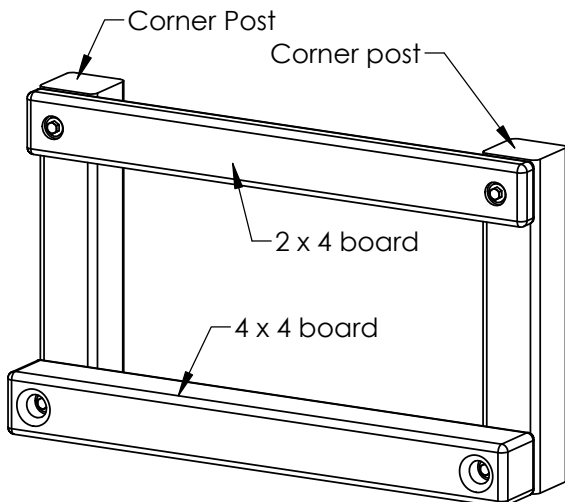
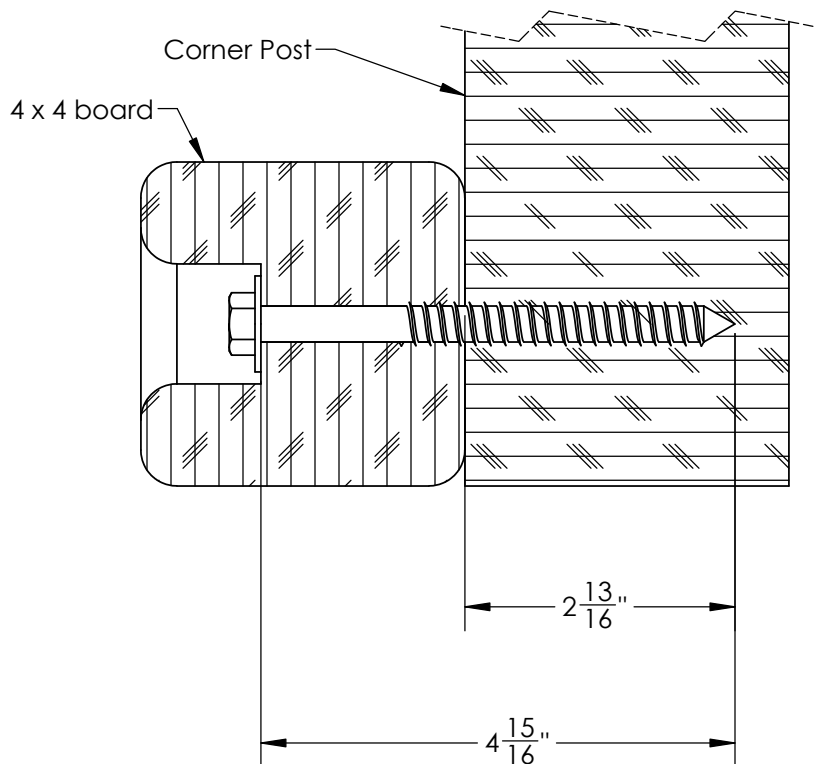
Example 5/16" diameter x 3-1/2" lag screw

This would be like the 2 x 4 board installation shown below. Place the board into position. Spot Drill through the holes in the 2 x 4 board into the corner posts with an 9/64" drill bit. Remove the 2 x 4 board. Continue to drill the holes to a total depth of 2-5/16" as shown at the right. Install the 2 x 4 board.



Example 3/8" diameter x 5" lag screw

This would be like the 4 x 4 board installation shown below. Place the board into position. Spot drill through the holes in the 4 x 4 board into the corner posts with an 11/64" drill bit. Remove the 4 x 4 board. Continue to drill the holes to a total depth of 2-13/16" as shown at the right. Install the 4 x 4 board.



SWING BEAM LOADING

Weight Limits for Accessories:

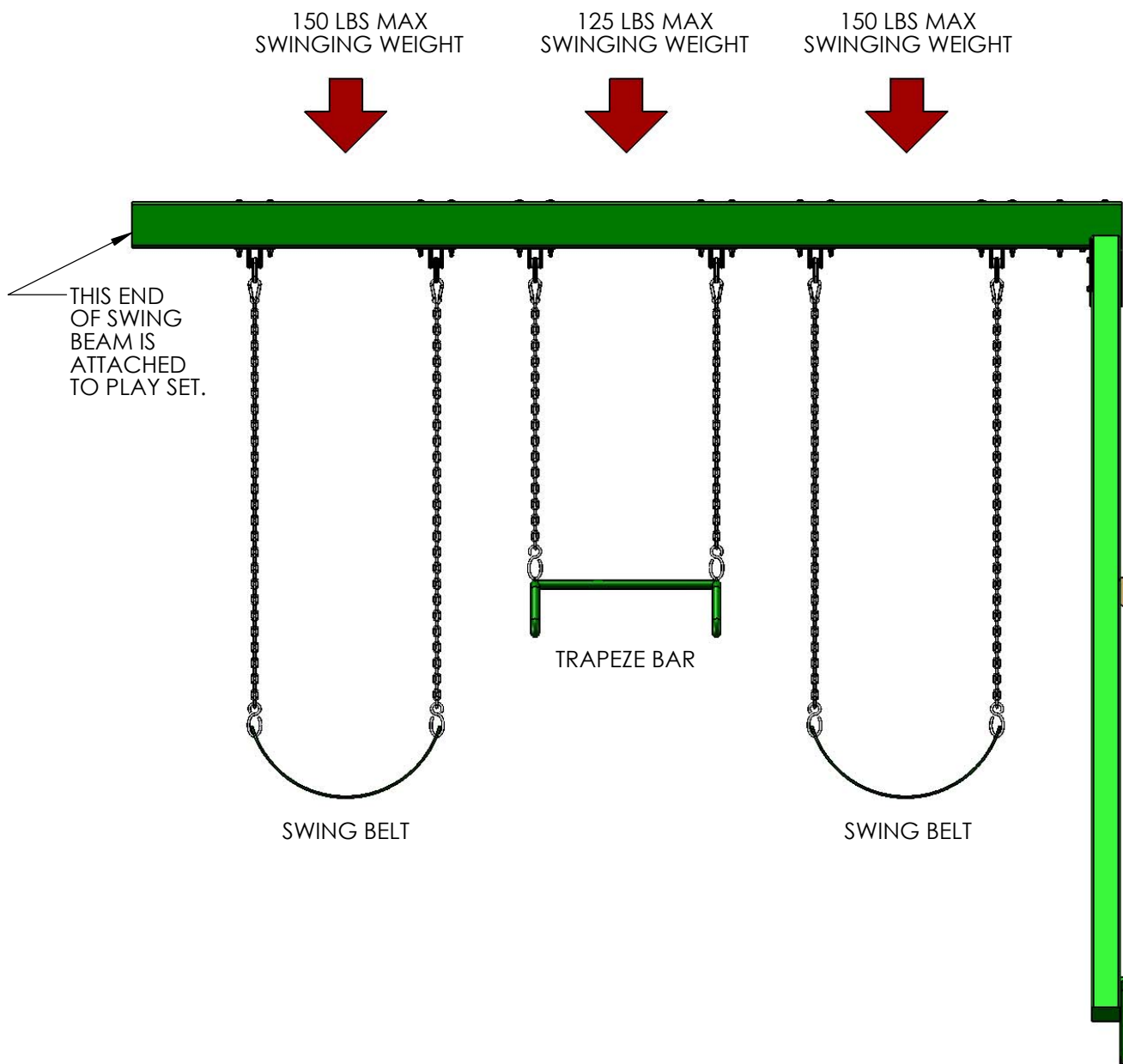
The weight limit for a Swing Belt is 225 lbs. (Although 150lbs is the maximum recommended swinging weight capacity for the swing position.)

The weight limit for a Trapeze Bar is 125 lbs.

Maximum Allowable swinging weight for a three position swing:

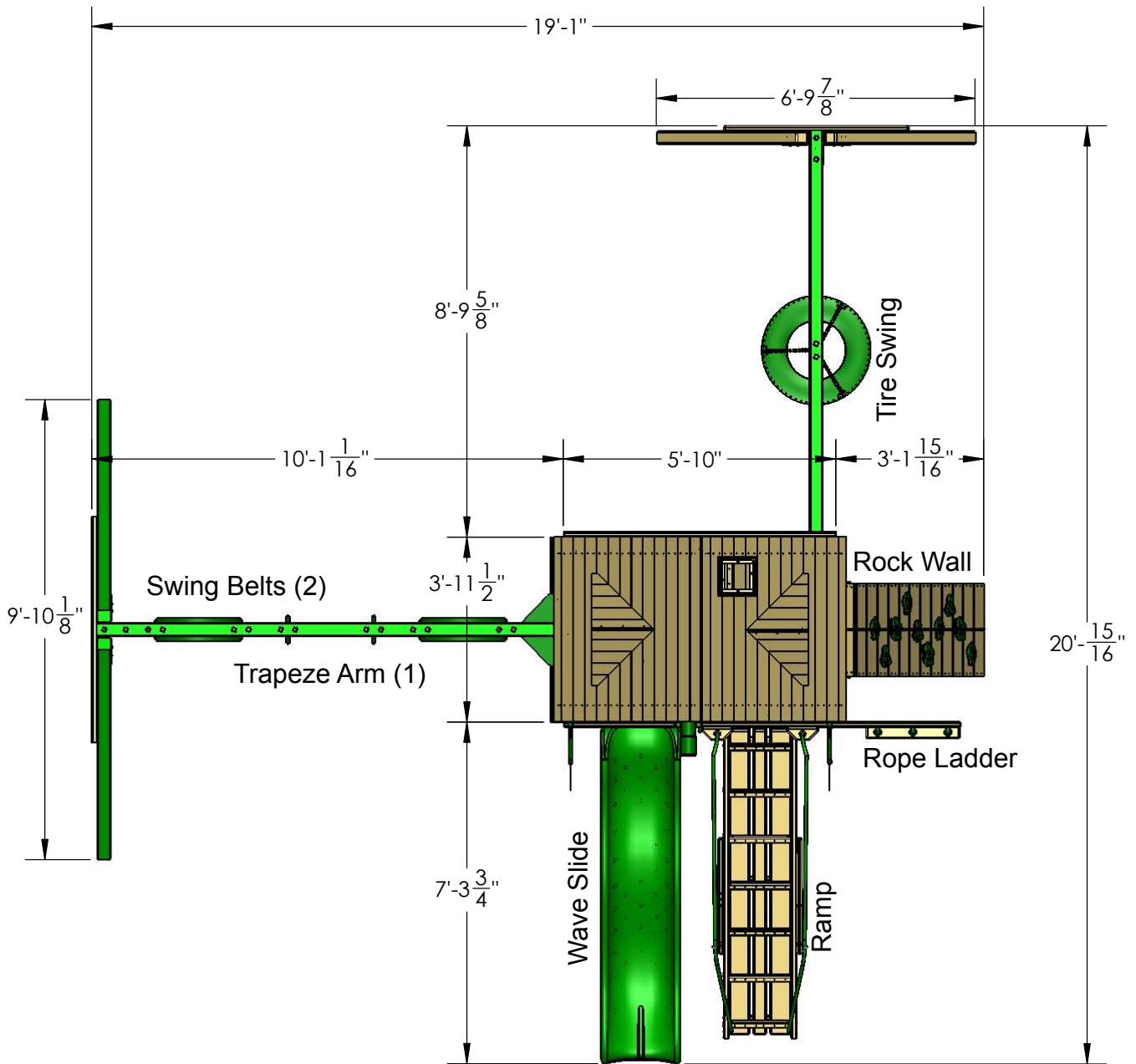
- 1) The maximum allowable swinging weight at each Swing Belt position is 150 lbs.
- 2) The maximum allowable swinging weight at the Trapeze position is 125 lbs.
- 3) The MAXIMUM SWING BEAM LOAD IS 425 lbs.

MAXIMUM SWING BEAM LOAD IS 425 LBS.



Please familiarize yourself with the manual, parts/components and general construction process of your new playset before getting started.

SITE PLAN:



Playset height: 11 feet - 2 inches

Swing Beam height: 7 feet - 7-1/2 inches

Deck height: 5 feet

Approximate assembly time: 8-10 hours

(6) foot unobstructed safety perimeter around playset recommended

REQUIRED TOOL LIST:

- ___ Standard or Cordless Drill w/ Phillips Bit (#2 square bit provided)
- ___ Drill Bits 1/8", 3/8", 9/64", 7/64", 11/64" and a 7/8" Paddle style bit.
- ___ 1/2" Wrench and Socket
- ___ 1/2" Deep Well Socket
- ___ 9/16" Deep Well Socket
- ___ 9/16" Wrench and Socket
- ___ Level
- ___ Tape Measure
- ___ Extension Cord (if using standard drill)
- ___ Hammer
- ___ Pencil
- ___ Locking Pliers (Vise Grips)
- ___ Shovel
- ___ Tape or Marker (See step 48)

KIT CONTENTS

Swings, Slides, Accessories:

- ___ (Qty) Description
- ___ (2) Swingbelts w/ Chains
- ___ (1) Trapeze Swing w/Chains
- ___ (1) Wave Slide
- ___ (10) Rock Wall Grips (assorted colors)
- ___ (1) Telescope
- ___ (4) Safety Handles
- ___ (2) Flag Kit
- ___ (2) Plastic Sunburst 07-0028-G
- ___ (1) Logo Plate
- ___ (1) Ground Stakes (pair)
- ___ (1) Tic Tac Toe
- ___ (1) Steering Wheel
- ___ (1) Tire Swing w/Chains
- ___ (2) Plastic Dormer Sunburst 07-0031

Fort Hardware:

see following pages

Swing Beam Hardware:

see following pages

Wood Components:

see following pages



#14 X 1-1/4"
 PAN HEAD SCREW
 QTY: 4

#8 X 1"
 WOOD SCREW
 QTY: 2



#8 X 1-3/4"
 WOOD SCREW
 QTY: 4



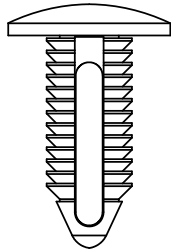
#8 X 2"
 WOOD SCREW
 QTY: 189



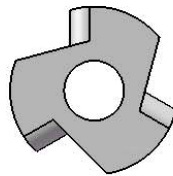
#8 X 2-1/2"
 WOOD SCREW
 QTY: 52



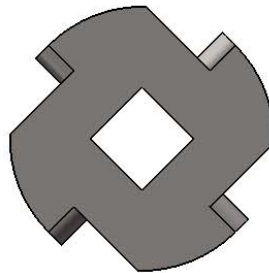
#8 X 3"
 WOOD SCREW
 QTY: 20



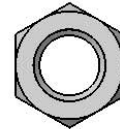
3/8" ϕ X 1-1/8"
 BLACK PLASTIC
 PLUG
 QTY: 6



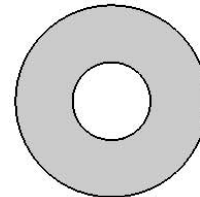
5/16" TEE NUT
 QTY: 22



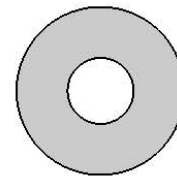
TORQUE WASHER
 QTY: 17



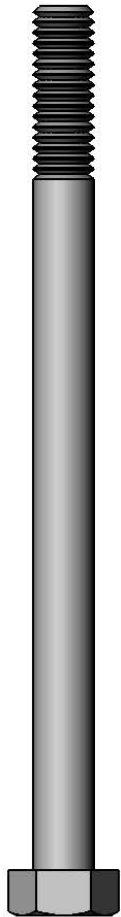
3/8" LOCK NUT
 QTY: 19



3/8" WASHER
 QTY: 31



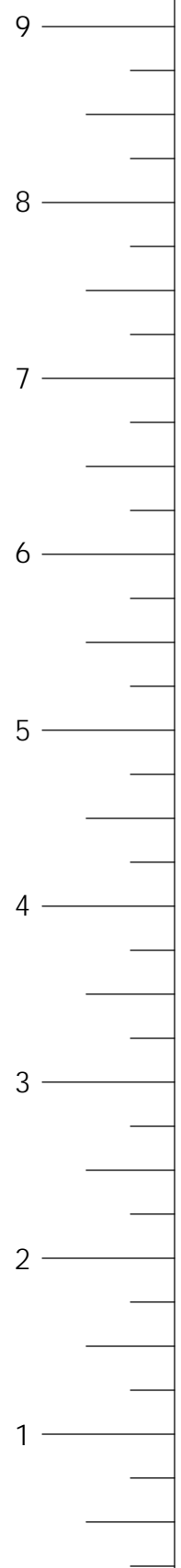
5/16" WASHER
 QTY: 34



5/16 X 4-1/2"
 HEX BOLT
 QTY: 14



5/16 X 1-1/2"
 HEX BOLT
 QTY: 8

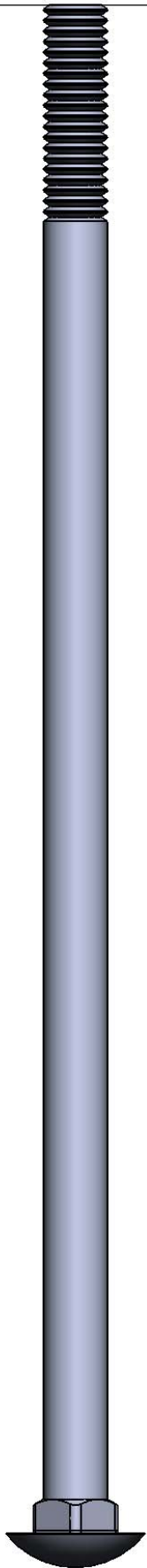


USE THE RULER TO THE RIGHT TO MEASURE YOUR BOLTS AND SCREWS. PICTURE VIEWS SHOWN ABOVE ARE 1:1 SCALE AND CAN BE USED TO MATCH BOLT AND SCREW SIZES.

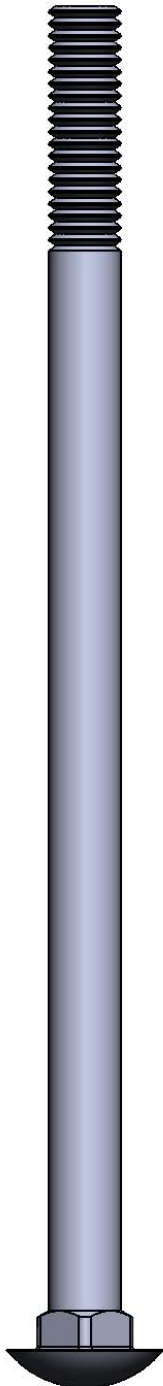
1501 HARDWARE
 PAGE: 2 OF 2
 REV A: 9/10/2014 JH

5/16" X 3-1/2"
 HEX LAG
 SCREW
 QTY: 12

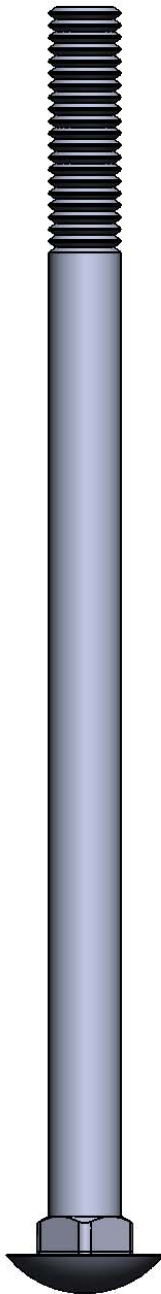
3/8 X 3-1/2"
 HEX LAG SCREW
 QTY: 12



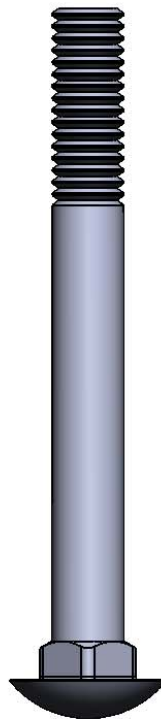
3/8 x 9"
 CARRIAGE BOLT
 QTY: 1



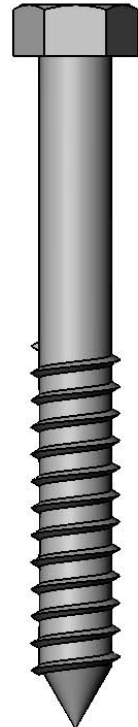
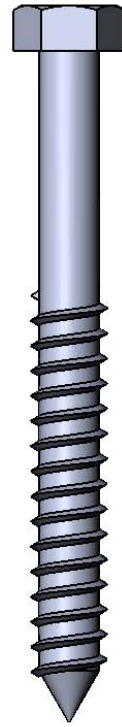
3/8 x 7"
 CARRIAGE BOLT
 QTY: 14



3/8 x 6-1/2"
 CARRIAGE BOLT
 QTY: 2



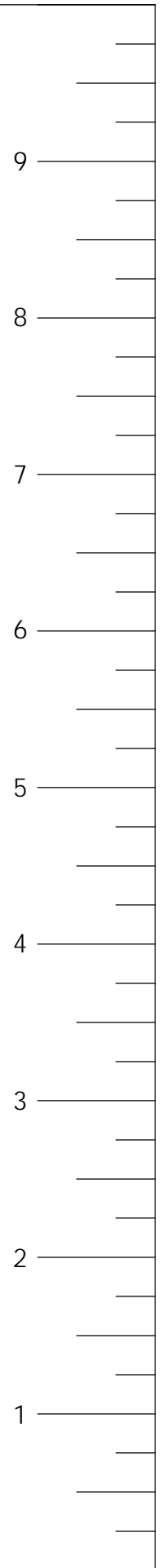
3/8 x 3-1/2"
 CARRIAGE BOLT
 QTY: 2



#2 SQUARE
 DRIVE BIT
 QTY: 1



PLASTIC
 BOLT CAP
 QTY: 19



USE THE RULER TO THE RIGHT TO MEASURE YOUR BOLTS AND SCREWS. PICTURE VIEWS SHOWN ABOVE ARE 1:1 SCALE AND CAN BE USED TO MATCH BOLT AND SCREW SIZES.

#8 X 1-1/4"
 WOOD SCREW
 QTY: 6



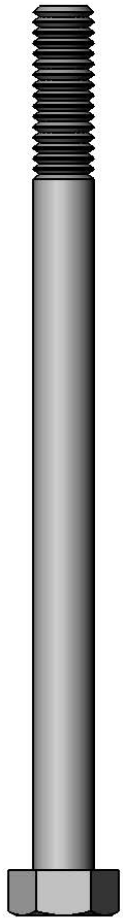
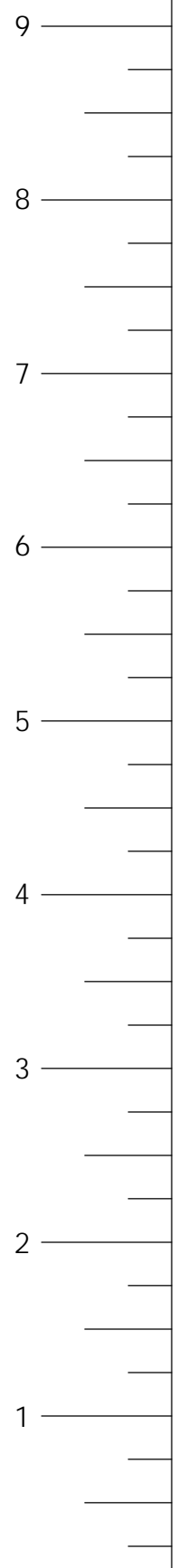
#8 X 1-1/2"
 WOOD SCREW
 QTY: 104



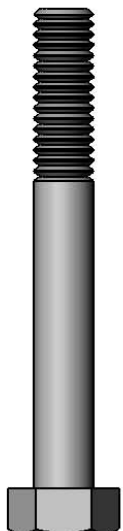
#8 X 2"
 WOOD SCREW
 QTY: 30



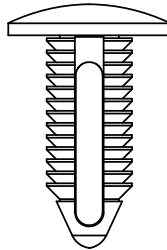
#8 X 2-1/2"
 WOOD SCREW
 QTY: 8



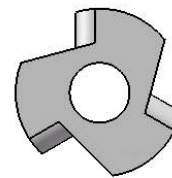
5/16 X 4-1/2"
 HEX BOLT
 QTY: 4



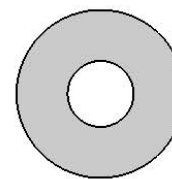
5/16 X 2-1/2"
 HEX BOLT
 QTY: 2



3/8" ϕ X 1-1/8"
 BLACK PLASTIC
 PLUG
 QTY: 4



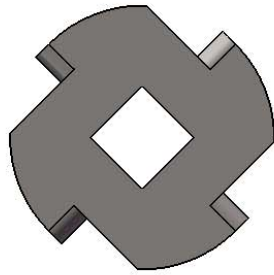
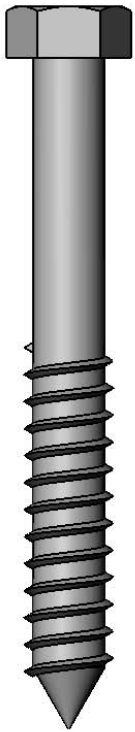
5/16" TEE NUT
 QTY: 6



5/16" WASHER
 QTY: 6

USE THE RULER TO THE RIGHT TO MEASURE YOUR BOLTS AND SCREWS. PICTURE VIEWS SHOWN ABOVE ARE 1:1 SCALE AND CAN BE USED TO MATCH BOLT AND SCREW SIZES.

3/8 X 3-1/2"
HEX LAG SCREW
QTY: 11

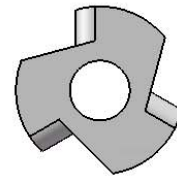


TORQUE WASHER
QTY: 4

1510 HARDWARE

PAGE: 1 OF 1

REV B
8/19/2014 JH



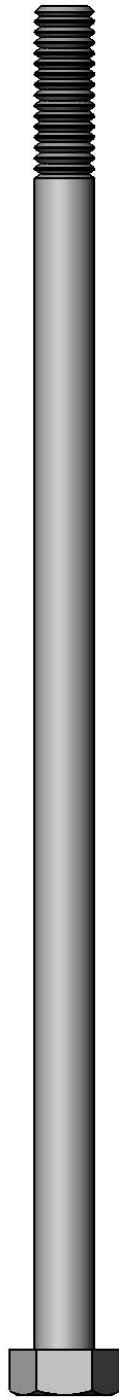
5/16" TEE NUT
QTY: 2



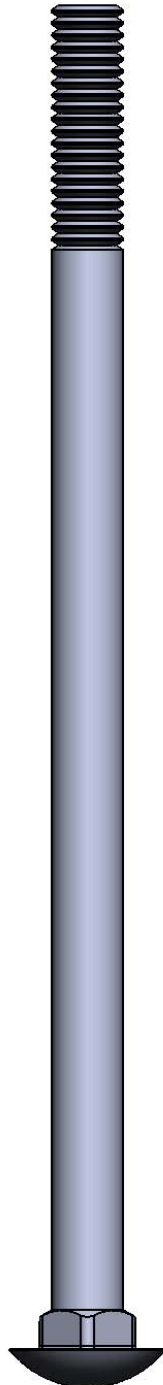
5/16" PLASTIC
BOLT CAP
QTY: 2



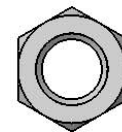
3/8" PLASTIC
BOLT CAP
QTY: 4



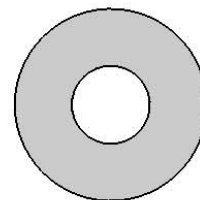
5/16 X 7"
HEX BOLT
QTY: 2



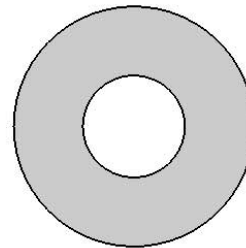
3/8 x 7"
CARRIAGE BOLT
QTY: 4



3/8" LOCK NUT
QTY: 4



3/8" WASHER
QTY: 17

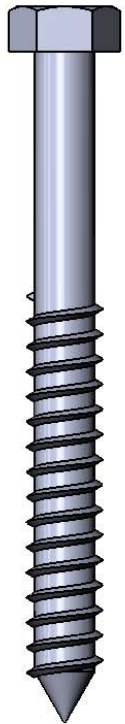
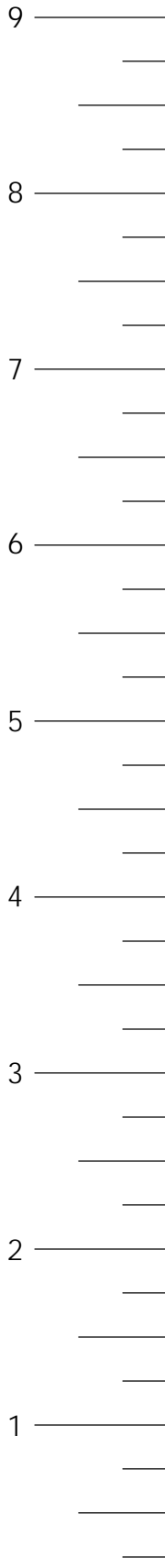


1/2" WASHER
QTY: 2



USE THE RULER TO THE RIGHT TO MEASURE YOUR BOLTS AND SCREWS. PICTURE VIEWS SHOWN ABOVE ARE 1:1 SCALE AND CAN BE USED TO MATCH BOLT AND SCREW SIZES.

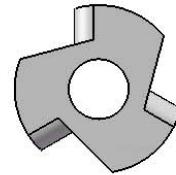
1511 HARDWARE
PAGE: 1 OF 1
REV A
2/4/2013 J.H.



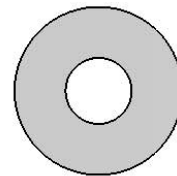
5/16" X 3-1/2"
HEX LAG
SCREW
QTY: 14



5/16 X 4-1/2"
HEX BOLT
QTY: 12



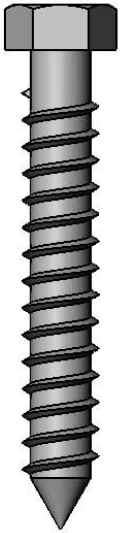
5/16" TEE NUT
QTY: 10



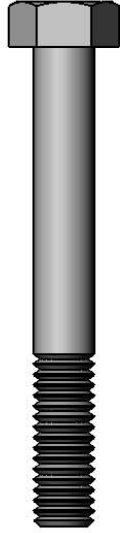
5/16" WASHER
QTY: 26

USE THE RULER TO THE RIGHT TO MEASURE YOUR BOLTS AND SCREWS. PICTURE VIEWS SHOWN ABOVE ARE 1:1 SCALE AND CAN BE USED TO MATCH BOLT AND SCREW SIZES.

5/16" X 2-1/2"
LAG SCREW
QTY: 4



5/16" X 2-1/2"
HEX BOLT
QTY: 6



5/16" X 1-1/2"
HEX BOLT
QTY: 4



1523 HARDWARE

PAGE 1 OF 1

9/10/2014 JH

#8 X 3-1/2"
WOOD SCREW
QTY: 4



#8 X 2-1/2"
WOOD SCREW
QTY: 124



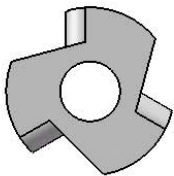
#8 X 1-1/4"
PAN HEAD SCREW
SQUARE DRIVE
QTY: 16



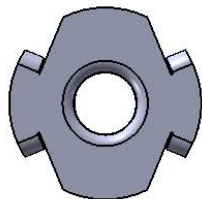
3/8"-16 X 3/4" DIA. I.D. X
2-1/2" L
EYE BOLT
QTY: 2



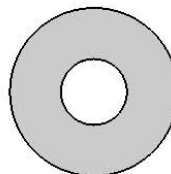
5/16"-18 x 5/8" L T-NUT
QTY: 10



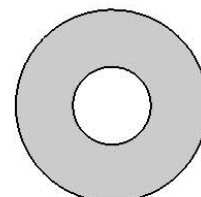
3/8"-16 x 5/8" L T-NUT
QTY: 2



5/16" WASHER
QTY: 10

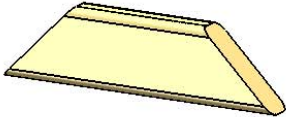
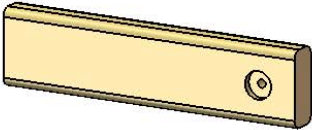
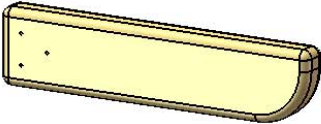
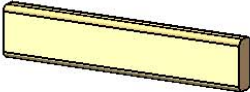
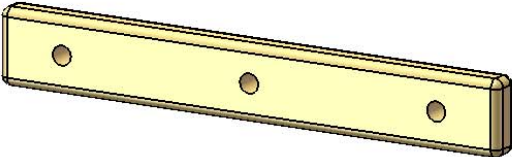
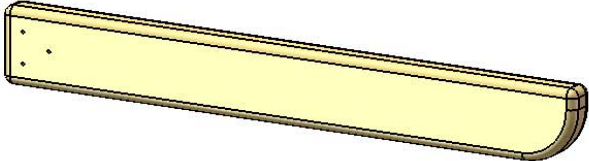
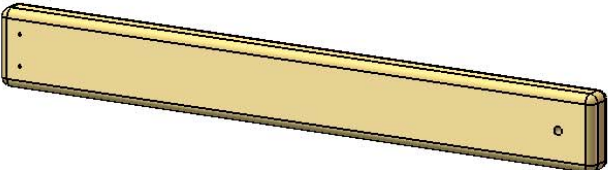


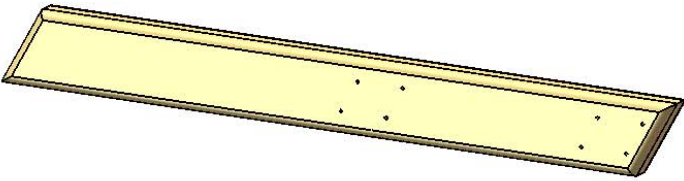
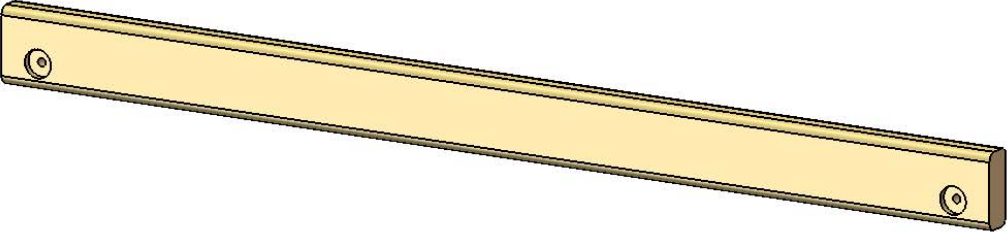
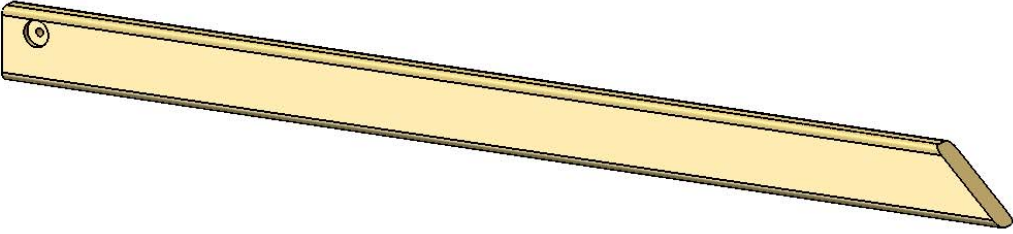
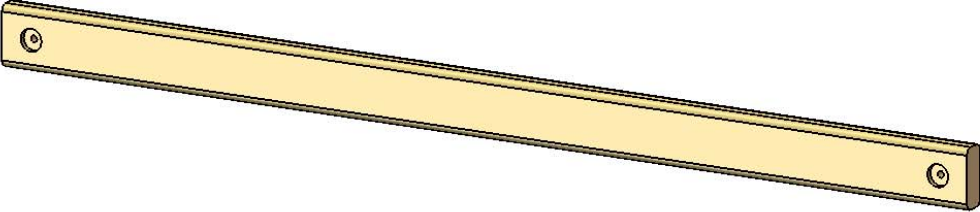
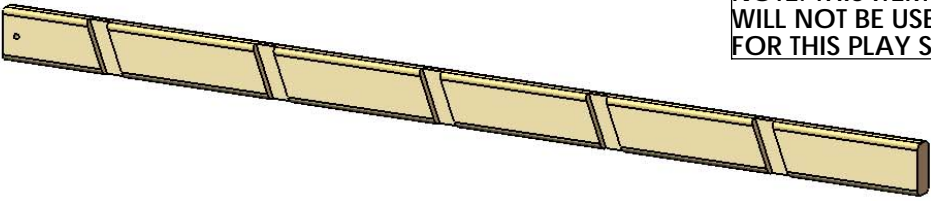
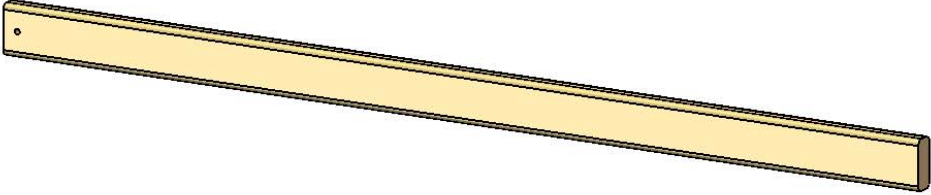
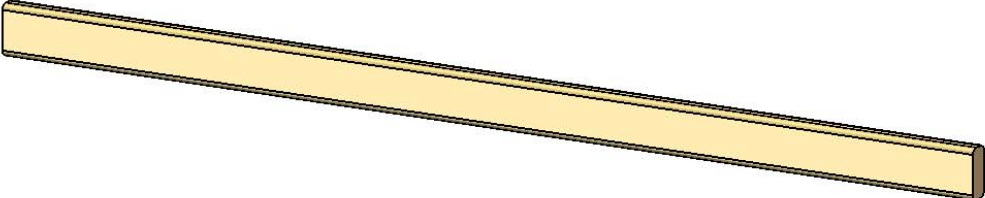
3/8" WASHER
QTY: 2

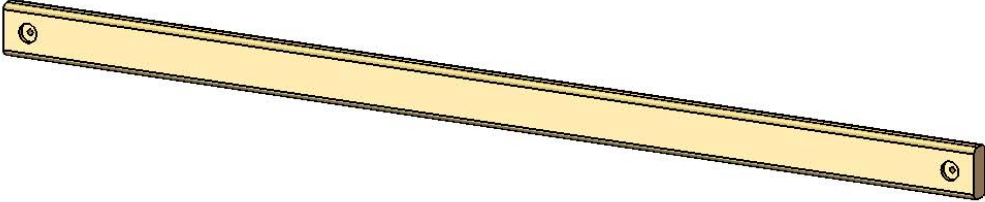
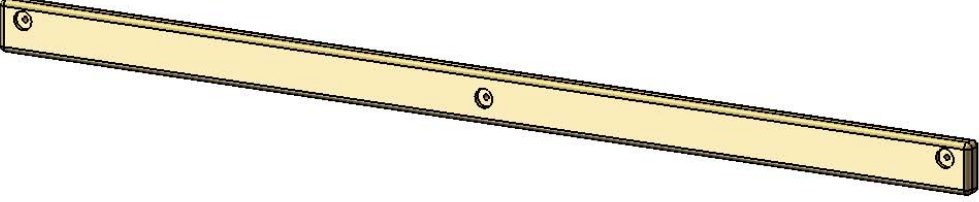
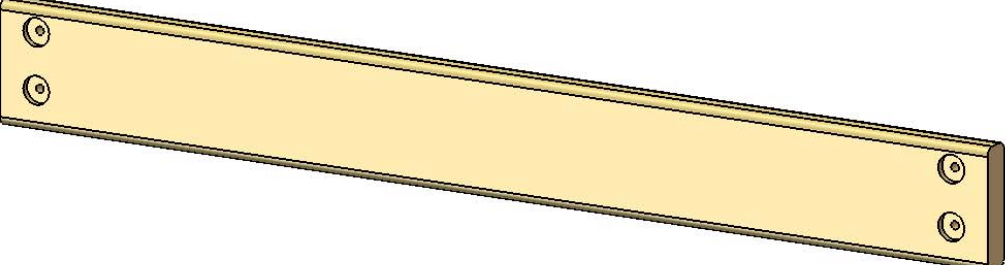
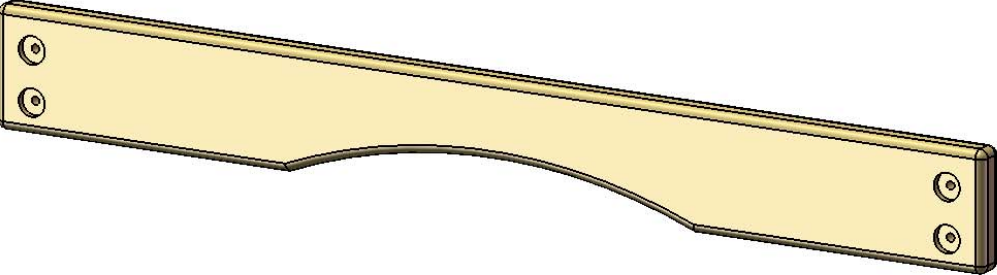
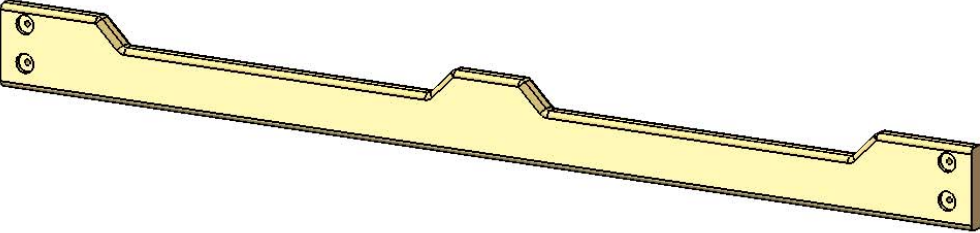
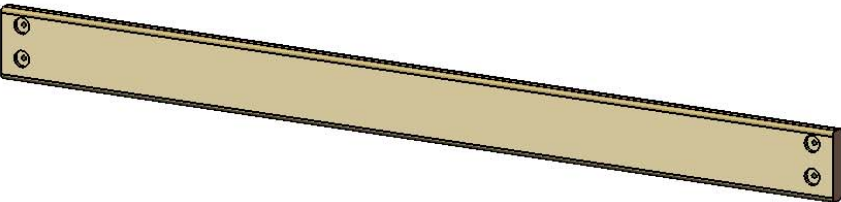
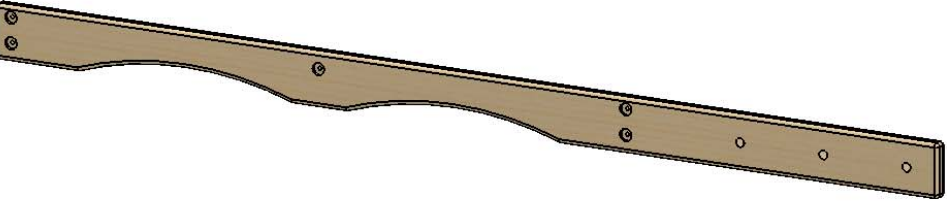


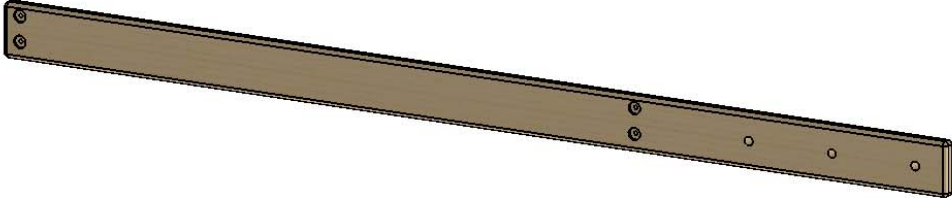
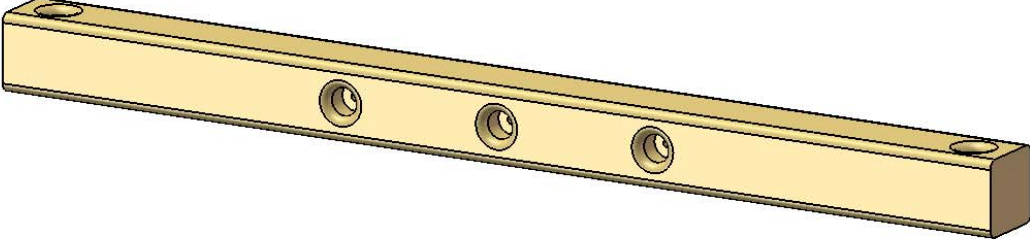
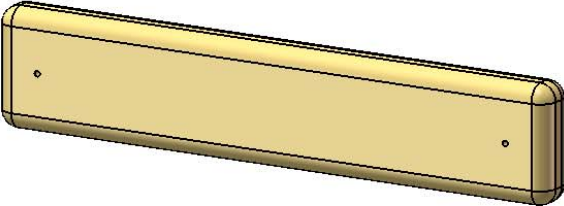
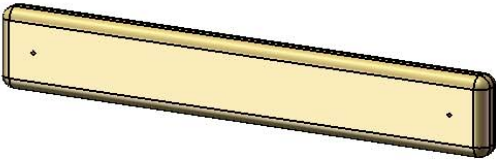
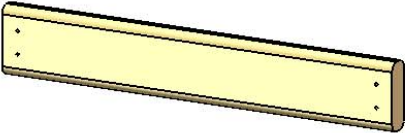
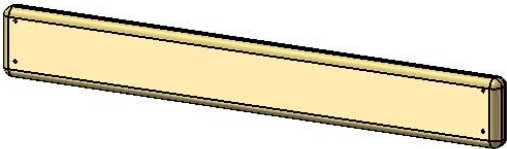
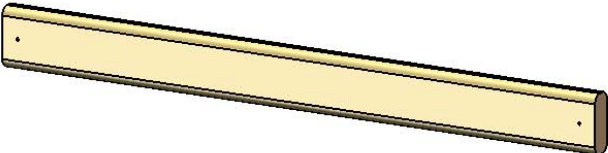
9
8
7
6
5
4
3
2
1

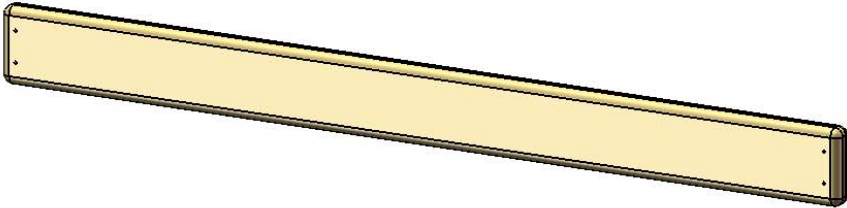
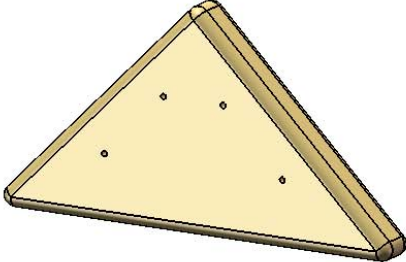
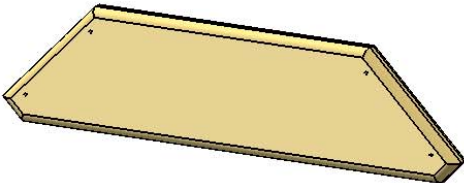
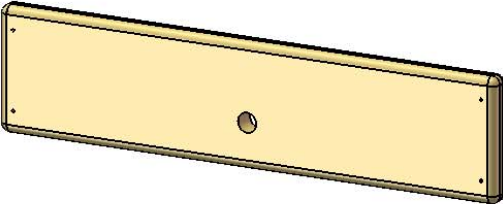
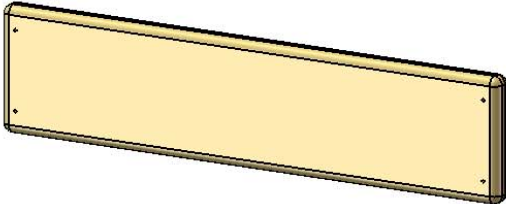
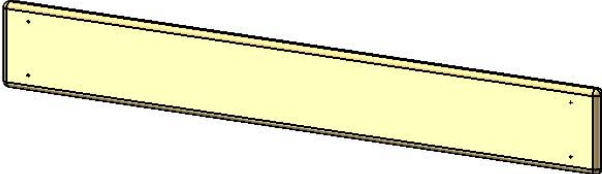
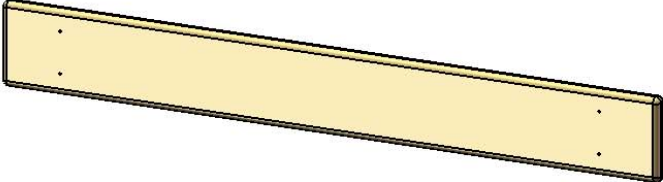
USE THE RULER TO THE RIGHT TO MEASURE YOUR BOLTS AND SCREWS. PICTURE VIEWS SHOWN ABOVE ARE 1:1 SCALE AND CAN BE USED TO MATCH BOLT AND SCREW SIZES.

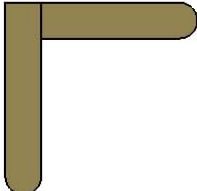
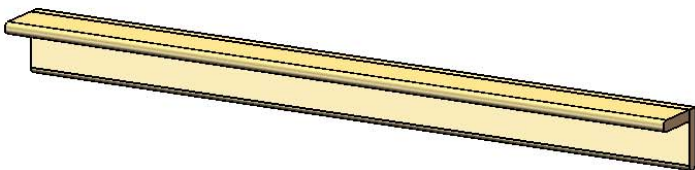

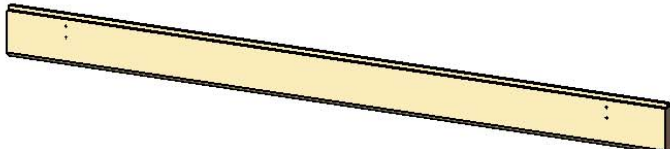

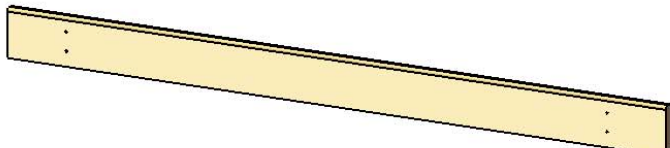

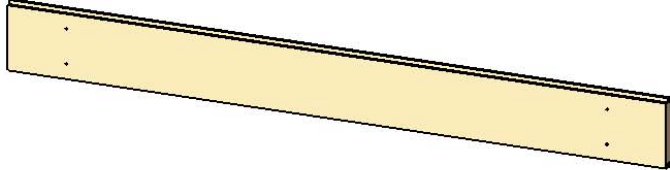
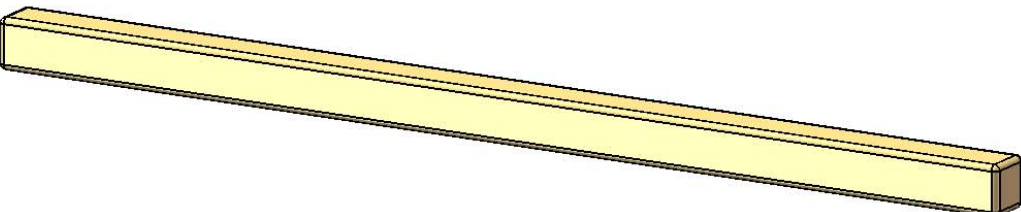
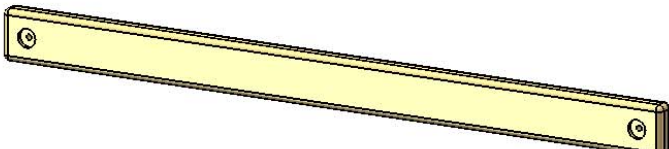
PICTURE	DESCRIPTION	QTY.
	2 X 4 X 13" ANGLE SUPPORT 2-4-1300-AS 2 X 4 X 18" ANGLE SUPPORT 2-4-1800-AS	4 4
	2 X 4 X 14" BOTTOM PANEL BOARD 2-4-1400-BPB	2
	2 X 4 X 14-3/4" PICNIC TABLE TOP SUPPORT 2-4-1475-PTTS	2
 <div data-bbox="842 1081 1079 1165" style="border: 1px solid black; padding: 2px; display: inline-block;"> <p>NOTE: THIS ITEM WILL NOT BE USED FOR THIS PLAY SET.</p> </div>	2 X 4 X 17" LADDER STEP 2-4-1700-LS	5
	2 X 4 X 24" ROPE LADDER STEP 2-4-2400-RLST	6
	2 X 4 X 27-1/2" PICNIC TABLE SEAT SUPPORT 2-4-2750-PTSS	2
	2 X 4 X 28-9/16" CENTER POST FRONT/REAR 2-4-2856-CPFR	2

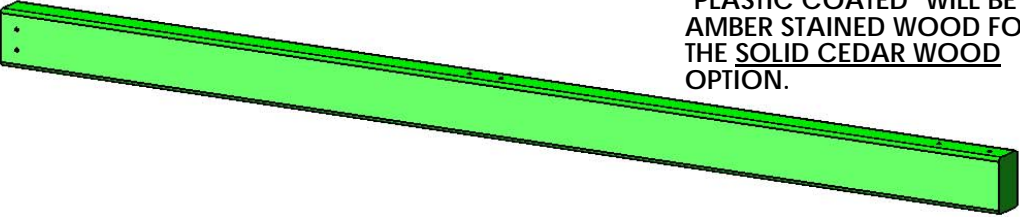
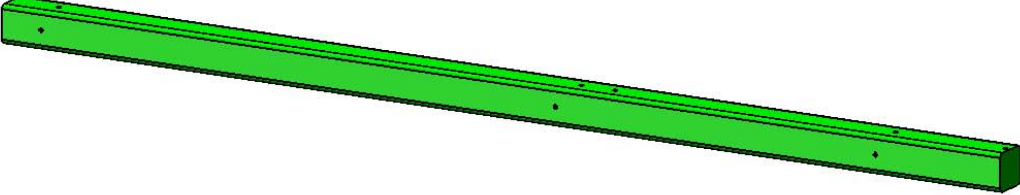
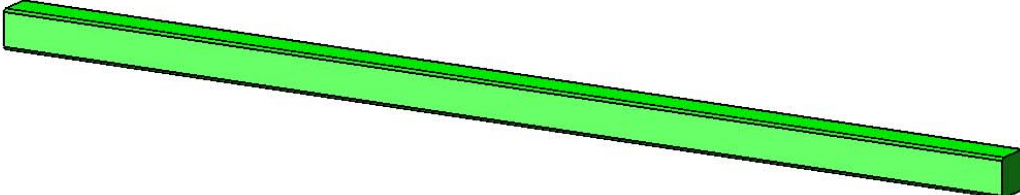
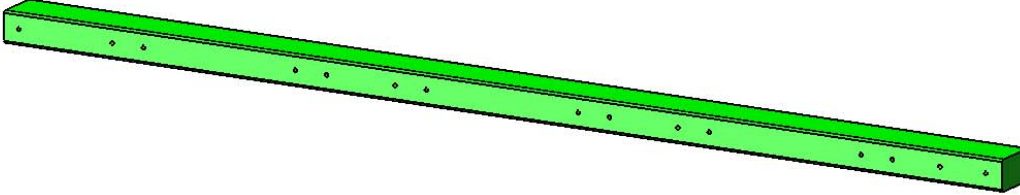
PICTURE	DESCRIPTION	QTY.
	2 X 4 X 32-1/2" PICNIC TABLE LEG 2-4-3250-PTL	2
	2 X 4 X 47 ¹ / ₂ " SAFETY BOARD/ END PANEL BOARD 2-4-4750-SBEP	2
	2 X 4 X 51-1/8" ROOF SUPPORT (1 HOLE OFFSET) 2-4-5113-RSL 2-4-5113-RSR	2 LEFT 2 RIGHT
	2 X 4 X 58" SWING BEAM CROSS MEMBER (2 HOLES ON CENTER) 2-4-5800-CM	1
 <div data-bbox="841 1283 1076 1367" style="border: 1px solid black; padding: 2px; width: fit-content;"> <p>NOTE: THIS ITEM WILL NOT BE USED FOR THIS PLAY SET.</p> </div>	2 X 4 X 66" LADDER SIDE 2-4-6600-LLS 2-4-6600-LRS	1 LEFT 1 RIGHT
	2 X 4 X 66" ROCK WALL SIDE (1 HOLE ON CENTER) 2-4-6600-RWS	2
	2 X 4 X 70" CENTER DECK SUPPORT 2-4-7000-CDS	1

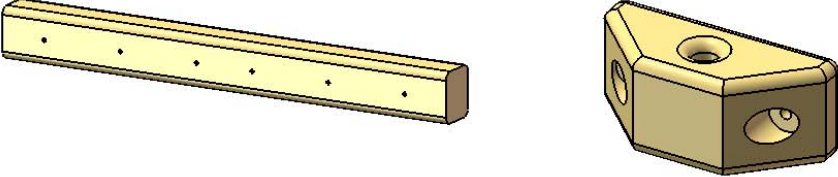
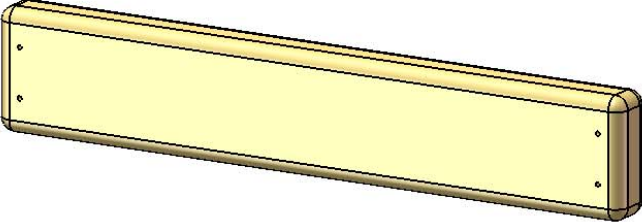
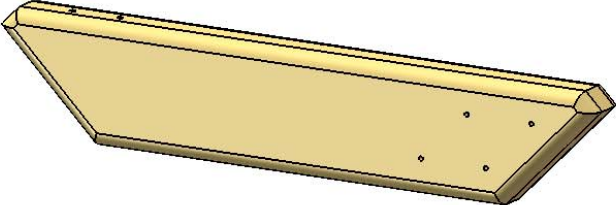
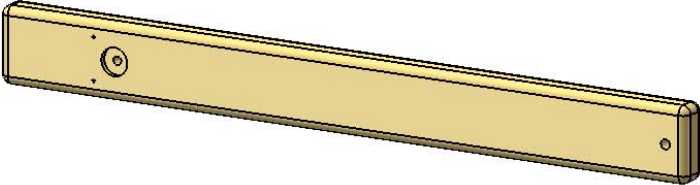
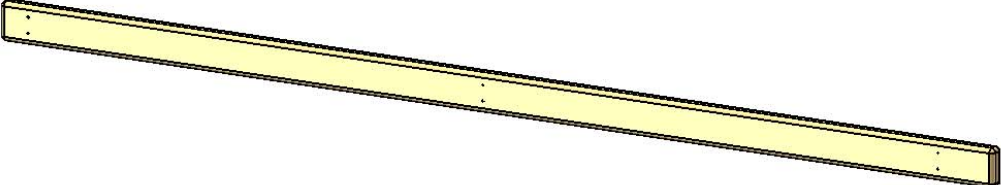
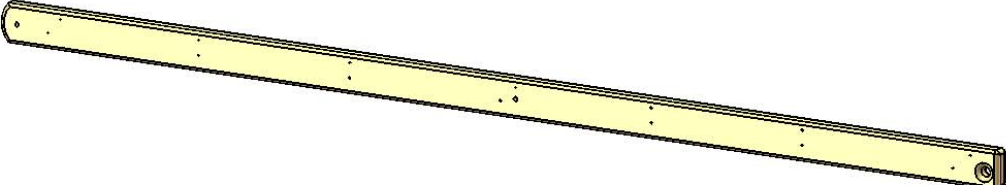
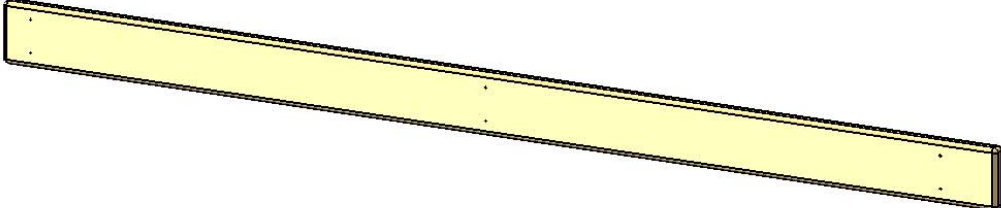
PICTURE	DESCRIPTION	QTY.
	2 X 4 X 70" DECK SUPPORT (2 HOLES ON CENTER) 2-4-7000-DS	2
	2 X 4 X 70" REAR TOP PANEL BOARD (2 HOLES OFFSET/ 1 CENTERED) 2-4-7000-RTPB	1
	2 X 6 X 47 $\frac{1}{2}$ " BOTTOM PANEL AND SANDBOX BOARD (4 HOLES OFFSET) 2-6-4750-ESPB	4
	2 X 6 X 47-1/2" TOP PANEL BOARD 2-6-4750-TPB	1
	2 X 6 X 70" FRONT FACE BOARD (4 HOLES OFFSET) 2-6-7000-FFB	1
	2 X 6 X 70" BOTTOM PANEL/ SANDBOX BOARD (4 HOLES OFFSET) 2-6-7000-SB	2
	2 X 6 X 102" ROPE LADDER SUPPORT - FRONT RIGHT 2-6-10200-RLSFR	1

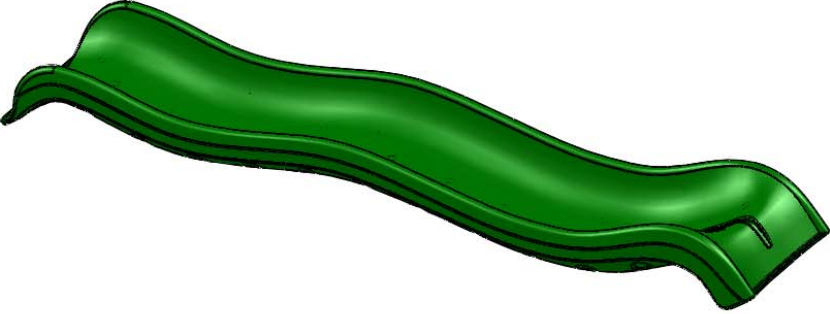
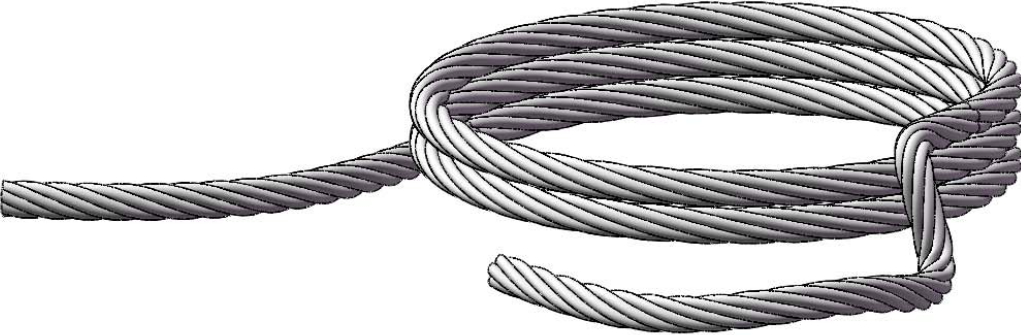

PICTURE	DESCRIPTION	QTY.
	2 X 6 X 102" ROPE LADDER RUNNER - FRONT RIGHT 2-6-10200-RLRFR	1
	4 X 4 X 47 $\frac{1}{2}$ " SWING BEAM MOUNT 4-4-4750-SBM	1
	$\frac{5}{4}$ X $2\frac{5}{8}$ X 13 $\frac{1}{4}$ " PICNIC TABLE SLAT 125-3-1325-PTS	2
	$\frac{5}{4}$ X $2\frac{5}{8}$ X 17 $\frac{1}{2}$ " TIC TAC TOE MOUNT 125-3-1750-TTMM	2
 <div data-bbox="857 1276 1094 1360" style="border: 1px solid black; padding: 2px; width: fit-content; margin-left: auto;"> <p>NOTE: THIS ITEM WILL NOT BE USED FOR THIS PLAY SET.</p> </div>	$\frac{5}{4}$ X 3 X 18- $\frac{3}{4}$ " LADDER BACK 125-3-1875-LB	1
	$\frac{5}{4}$ X 3 X 23 $\frac{7}{8}$ " ROCK WALL CAP 125-3-2387-RWC	1
	$\frac{5}{4}$ X $2\frac{5}{8}$ X 28 $\frac{1}{4}$ " PANEL SLAT 125-3-2825-PS	24

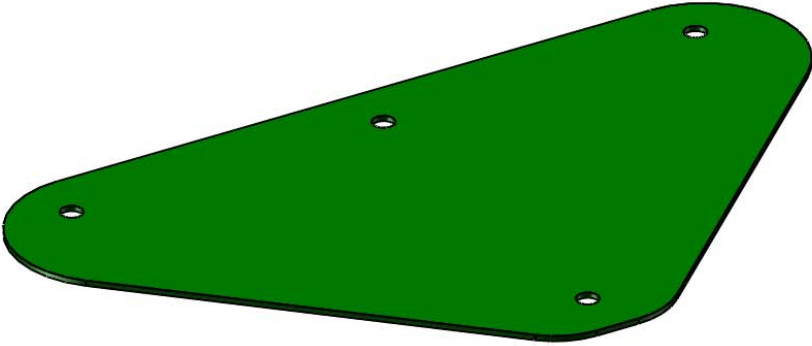
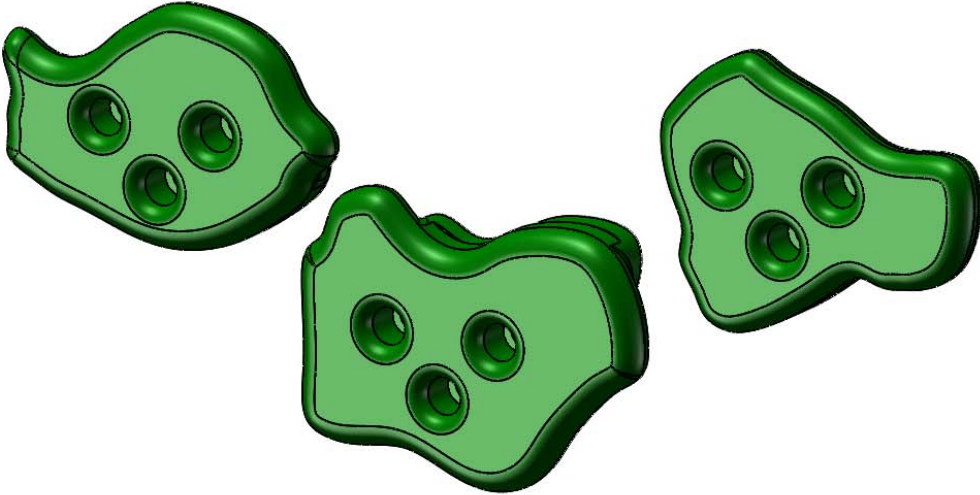
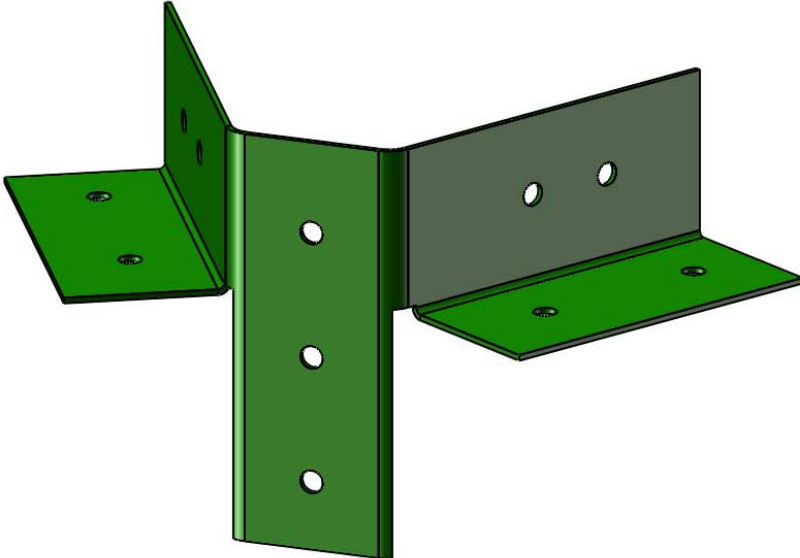
PICTURE	DESCRIPTION	QTY.
	$\frac{5}{4}$ X 4 X 40 $\frac{3}{8}$ " DECK SPACER 125-4-4038-DS	2
	$\frac{5}{4}$ X 6 X 10" ROOF PEAK SUPPORT 125-6-1000-RPS	2
	$\frac{5}{4}$ X 6 X 22" SANDBOX SEAT 125-6-2200-SS	2
	$\frac{5}{4}$ X 6 X 23 $\frac{7}{8}$ " BOTTOM ROCK WALL BOARD 125-6-2387-BRW	1
	$\frac{5}{4}$ X 6 X 23 $\frac{7}{8}$ " ROCK WALL BOARD 125-6-2387-RWB	11
	$\frac{5}{4}$ X 6 X 43" PICNIC TABLE TOP AND SEATS 125-6-4300-PTTS	4
	$\frac{5}{4}$ X 6 X 47 $\frac{3}{8}$ " DECK BOARD 125-6-4737-DB	11

PICTURE	DESCRIPTION	QTY.
		<p>47$\frac{1}{2}$" ROOF PEAK 1-6-4750-RP</p> <p>1</p>
		<p>1 X 4 X 47$\frac{1}{2}$" TONGUE ONLY ROOF FINISHER 1-4-4750-RF</p> <p>2</p>
		<p>1 X 4 X 47$\frac{1}{2}$" GROOVE ONLY ROOF STARTER 1-4-4750-RS</p> <p>2</p>
		<p>1 X 5 X 47$\frac{1}{2}$" TONGUE-GROOVE ROOF BOARD 1-5-4750-RB</p> <p>22</p>
		<p>4 X 4 X 72" TIRE SWING LEG 4-4-7200-AFL</p> <p>2</p>
		<p>2 X 4 X 47$\frac{1}{2}$" TIRE SWING CROSS MEMBER 2-4-4750-CM</p> <p>1</p>
		<p>27</p>

PICTURE	DESCRIPTION	QTY.
 <p data-bbox="764 113 1118 268">NOTE: ANYTHING ON THIS PAGE REFERRED TO AS "PLASTIC COATED" WILL BE AMBER STAINED WOOD FOR THE SOLID CEDAR WOOD OPTION.</p>	4 X 6 X 108" PLASTIC COATED TIRE SWING BEAM	1
	4 X 4 X 96" PLASTIC COATED CORNER POST	4
	4 X 4 X 108" PLASTIC COATED SWING LEG	2
	4 X 6 X 120" PLASTIC COATED SWING BEAM	1

	PICTURE	DESCRIPTION	QTY.
1523		2 X 2 X 16" RAMP FLOOR SUPPORT 2-2-1600-FS 4 X 4 X 8" ROPE MOUNT 4-4-0800-RM	7 2
		2 X 4 X 18-3/4" RAMP SUPPORT 2-4-1875-RS	3
		2 X 4 X 18" RAMP POST BRACE 2-4-1800-RPB	4
		2 X 4 X 33" RAMP POST 2-4-3300-RP	2
		2 X 4 X 95-1/2" MIDDLE FLOOR BOARD 2-4-9550-MFB	1
		2 X 4 X 96" SIDE BOARD 2-4-9600-SB	2
		2 X 6 X 95-1/2" FLOOR BOARD 2-6-9550-FB	2

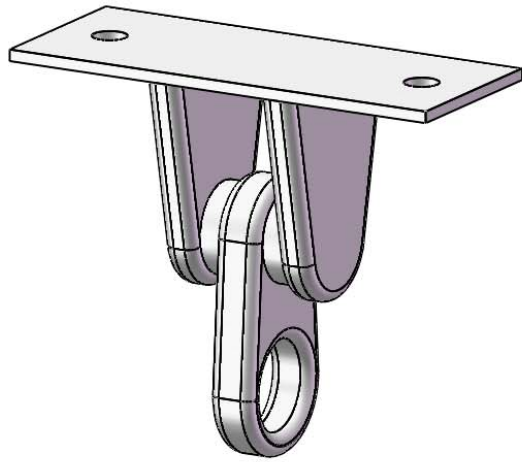
PICTURE	DESCRIPTION	QTY.
	<p>WIKI WAVE SLIDE</p>	<p>1</p>
	<p>10' ROCK WALL ROPE</p> <p>12' or 13' RAMP HANDRAIL ROPES</p> <p>13' ROPE LADDER ROPE</p>	<p>1</p> <p>2</p> <p>3</p>
	<p>SWING W/CHAINS 04-0002</p> <p>TRAPEZE BAR W/CHAINS 04-0006</p>	<p>2</p> <p>1</p>

PICTURE	DESCRIPTION	QTY.
	<p>SWING PLATE 11-5002</p>	<p>1</p>
	<p>CLIMBING ROCK (5 ROCKS ARE IN ONE BAG) 07-0008</p>	<p>10 rocks</p>
	<p>A-FRAME SWING LEG BRACKET 11-5010</p>	<p>2</p>
<p>HARDWARE BOXES: 1501, 1503N, 1523, 1510, 1511</p>	<p>HARDWARE BOXES INSTRUCTIONS</p>	<p>1 EA.</p>

PICTURE

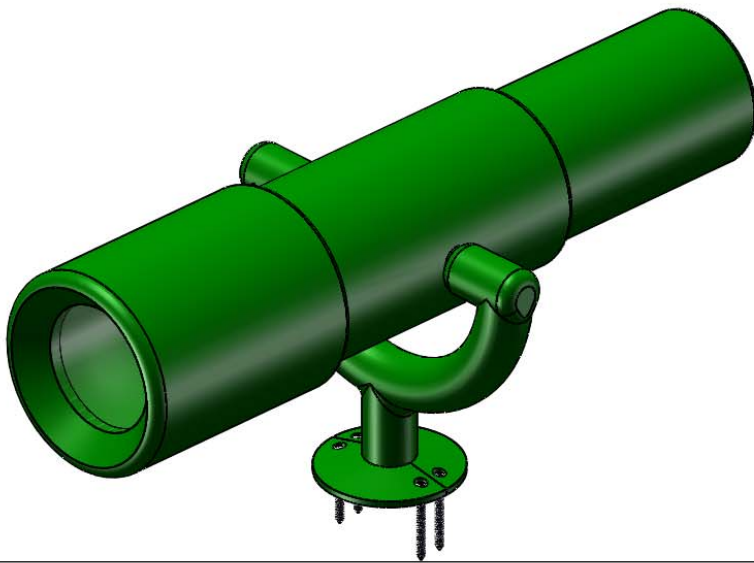
DESCRIPTION

QTY.



IRON
DUCTILE
SWING
HANGER
11-4012

6



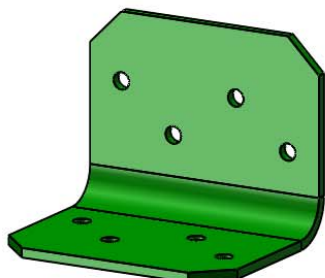
TELESCOPE
07-0001

1

(NOT SHOWN)

MANUFACTURER
LOGO PLATE

1



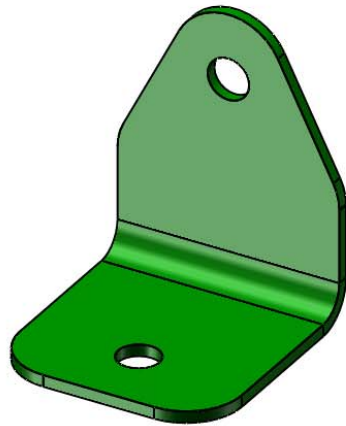
BRACKET
28-0001

2

PICTURE

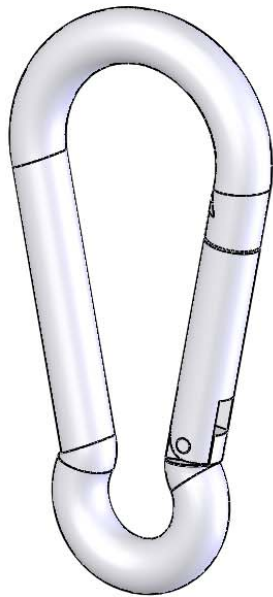
DESCRIPTION

QTY.



90 ° GREEN
BRACKET
11-5013

4



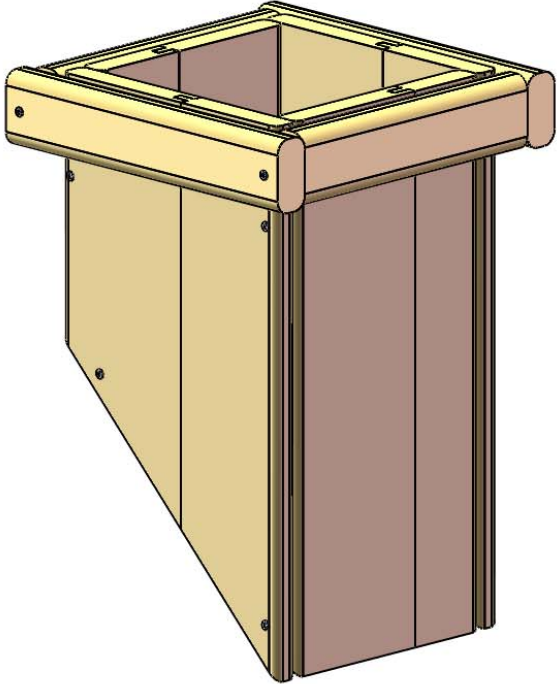
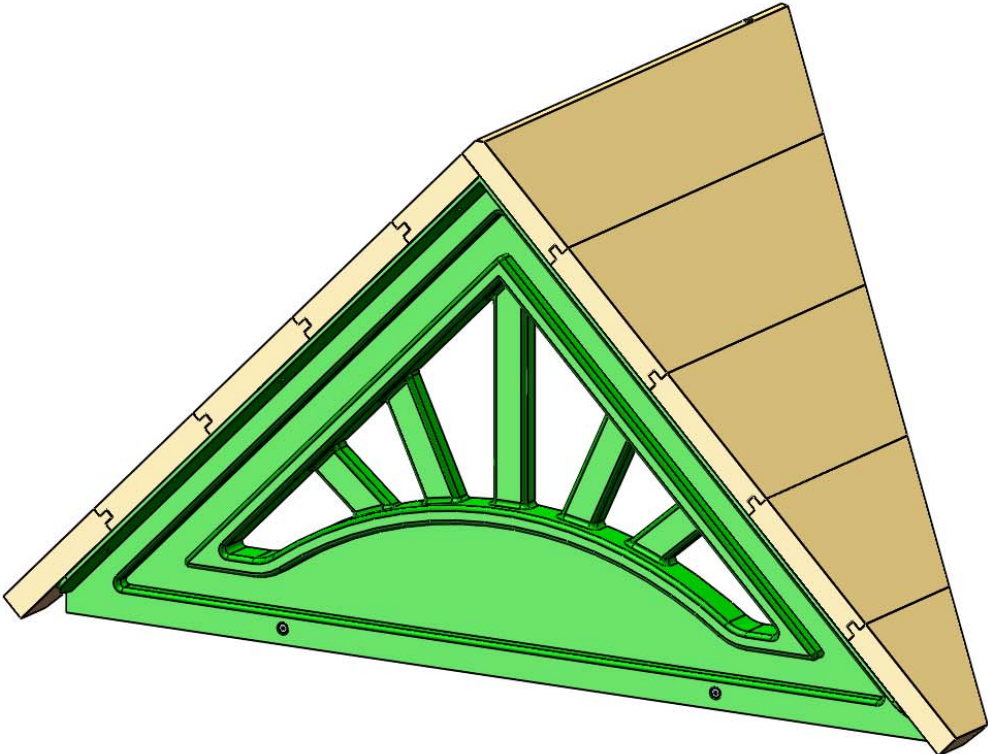
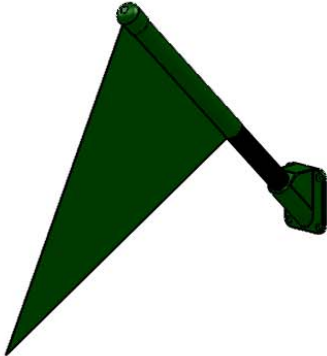
SPRING
CLIP
11-4003


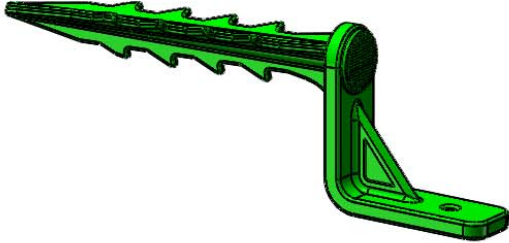

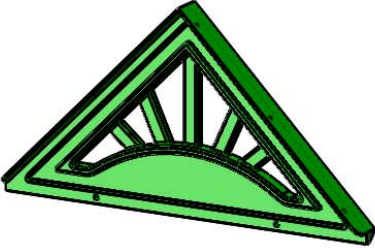


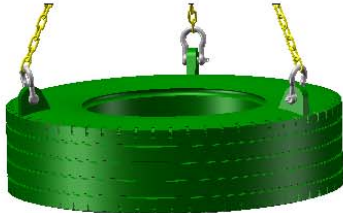
9



SAFETY
HANDLE
(PAIR)
07-0005

2_{pr}

PICTURE	DESCRIPTION	QTY.
	<p>UNASSEMBLED CHIMNEY (1530 BOX)</p>	<p>1</p>
	<p>UNASSEMBLED DORMER (1530 BOX)</p>	<p>2</p>
	<p>FLAG KIT 09-1014</p>	<p>2</p>

PICTURE	DESCRIPTION	QTY.
	PLASTIC SUNBURST 07-0028-G	2
	GROUND STAKE (PAIR) 07-0016-P	1 PR
	TIC TAC TOE (UNASSEMBLED) 07-0010	1
	PLASTIC DORMER SUNBURST 07-0031	2
	STEERING WHEEL 07-0004	1
	TIRE SWING SWIVEL 11-4010	1
	TIRE SWING W/CHAINS 04-0014	1

STEP 1: ATTACHING T-NUTS TO THE CORNER POSTS

1: THIS STEP IS CRITICAL TO BUILDING THE FORT PROPERLY. IF ANY MISTAKES ARE MADE HERE, YOU WILL NEED TO DIS-ASSEMBLE AND THEN RE-ASSEMBLE TO MAKE YOUR CORRECTIONS.

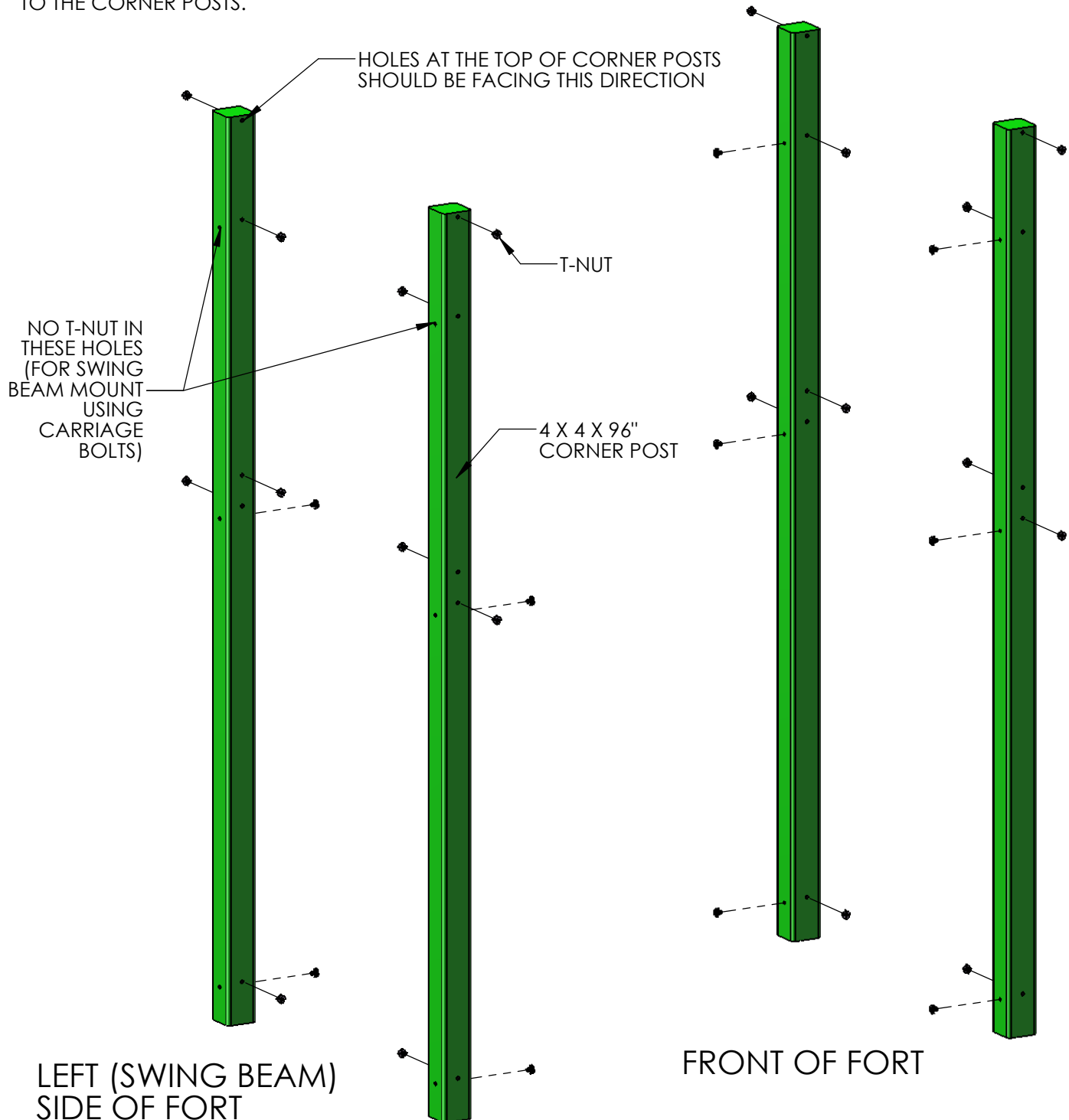
2: MAKE SURE HOLES ARE FREE OF ANY OBSTRUCTIONS. USE A BOLT TO CLEAN OUT ANY DEBRIS.

3: LAY OUT EACH OF THE 4 X 4 X 96" CORNER POSTS IN THE AREA YOU INTEND ON BUILDING THE FORT SIDE OF THE PLAYSET.

4: USE THE DIAGRAM BELOW TO CORRECTLY IDENTIFY AND ORIENT THE NECESSARY DIRECTION THE POSTS SHOULD FACE.

5: USE A HAMMER TO SEAT THE T-NUTS AFTER INSERTING THEM INTO THE HOLES SHOWN IN THE DIAGRAM BELOW.

6: THE BARREL OF THE T-NUT SHOULD GO IN THE HOLE FIRST. HAMMER THE T-NUT UNTIL IT IS FLUSH/ALMOST FLUSH TO THE CORNER POSTS.



STEP 2: ASSEMBLING THE RIGHT SIDE FRAME

1: LAY THE 2 X 6 X 47-1/2" SANDBOX BOARD ON TOP OF THE RIGHT SIDE CORNER POSTS AT THE BOTTOM OF THE CORNER POSTS. THE HOLES IN THE SANDBOX BOARD MUST BE OFFSET DOWN.

2: USE 5/16 X 4-1/2" HEX BOLTS AND 5/16" WASHERS TO ATTACH THE TOP HOLES OF THE SANDBOX BOARD TO THE T-NUTS INSTALLED ON THE CORNER POSTS. THE BOTTOM HOLES WILL BE USED LATER.

3: LAY THE 2 X 6 X 47-1/2" BOTTOM PANEL BOARD ON TOP OF THE RIGHT SIDE CORNER POSTS IN THE MIDDLE OF THE CORNER POSTS. THE HOLES IN THE BOTTOM PANEL BOARD MUST BE OFFSET DOWN.

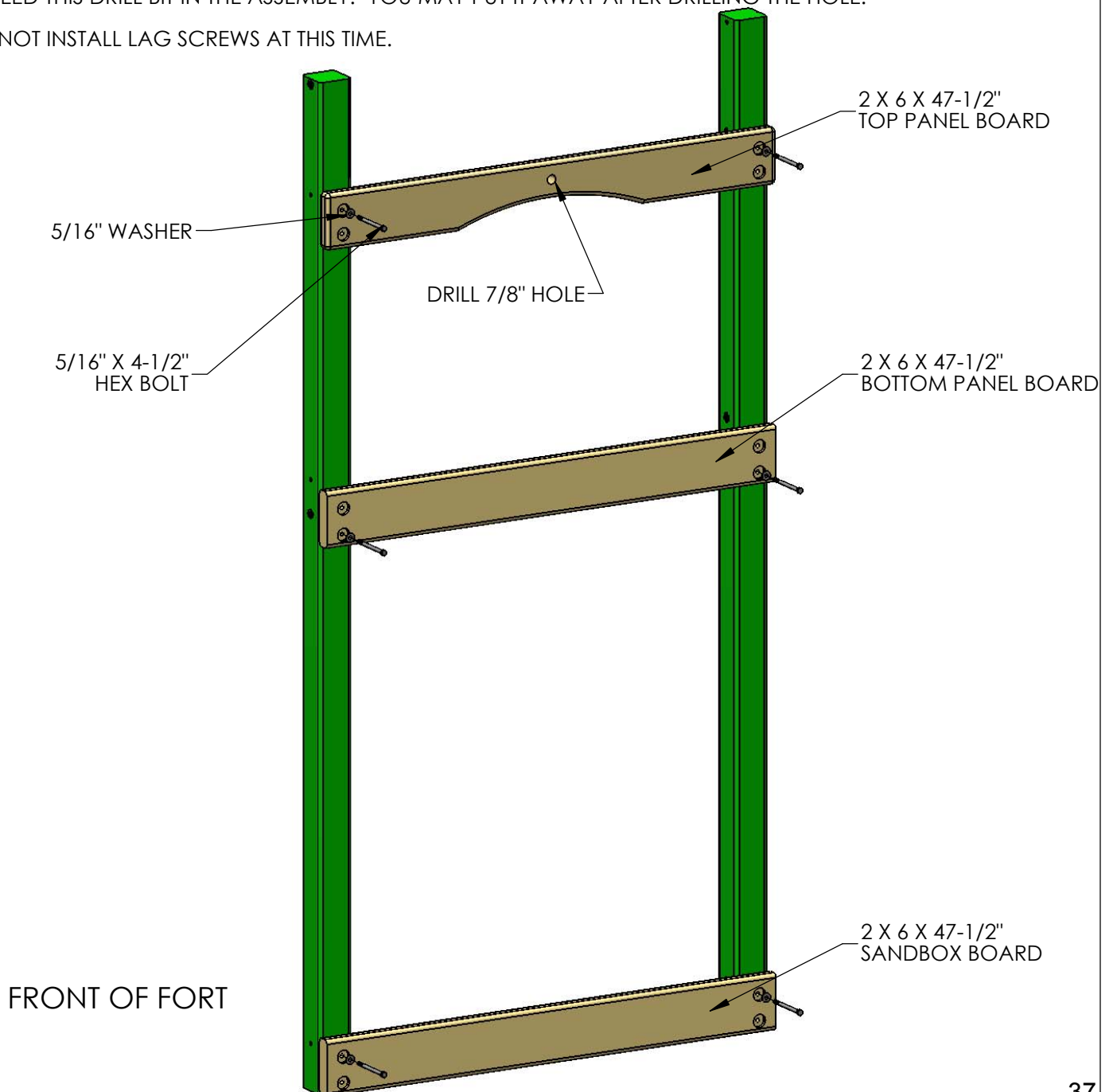
4: USE 5/16 X 4-1/2" HEX BOLTS AND 5/16" WASHERS TO ATTACH THE BOTTOM HOLES OF THE BOTTOM PANEL BOARD TO THE T-NUTS INSTALLED ON THE CORNER POSTS. THE TOP HOLES WILL BE USED LATER.

5: LAY THE 2 X 6 X 47-1/2" TOP PANEL BOARD ON TOP OF THE RIGHT SIDE CORNER POSTS. THE HOLES IN THE TOP PANEL BOARD MUST BE OFFSET DOWN.

6: USE 5/16 X 4-1/2" HEX BOLTS AND 5/16" WASHERS TO ATTACH THE TOP HOLES OF THE TOP PANEL BOARD TO THE T-NUTS INSTALLED ON THE CORNER POSTS.

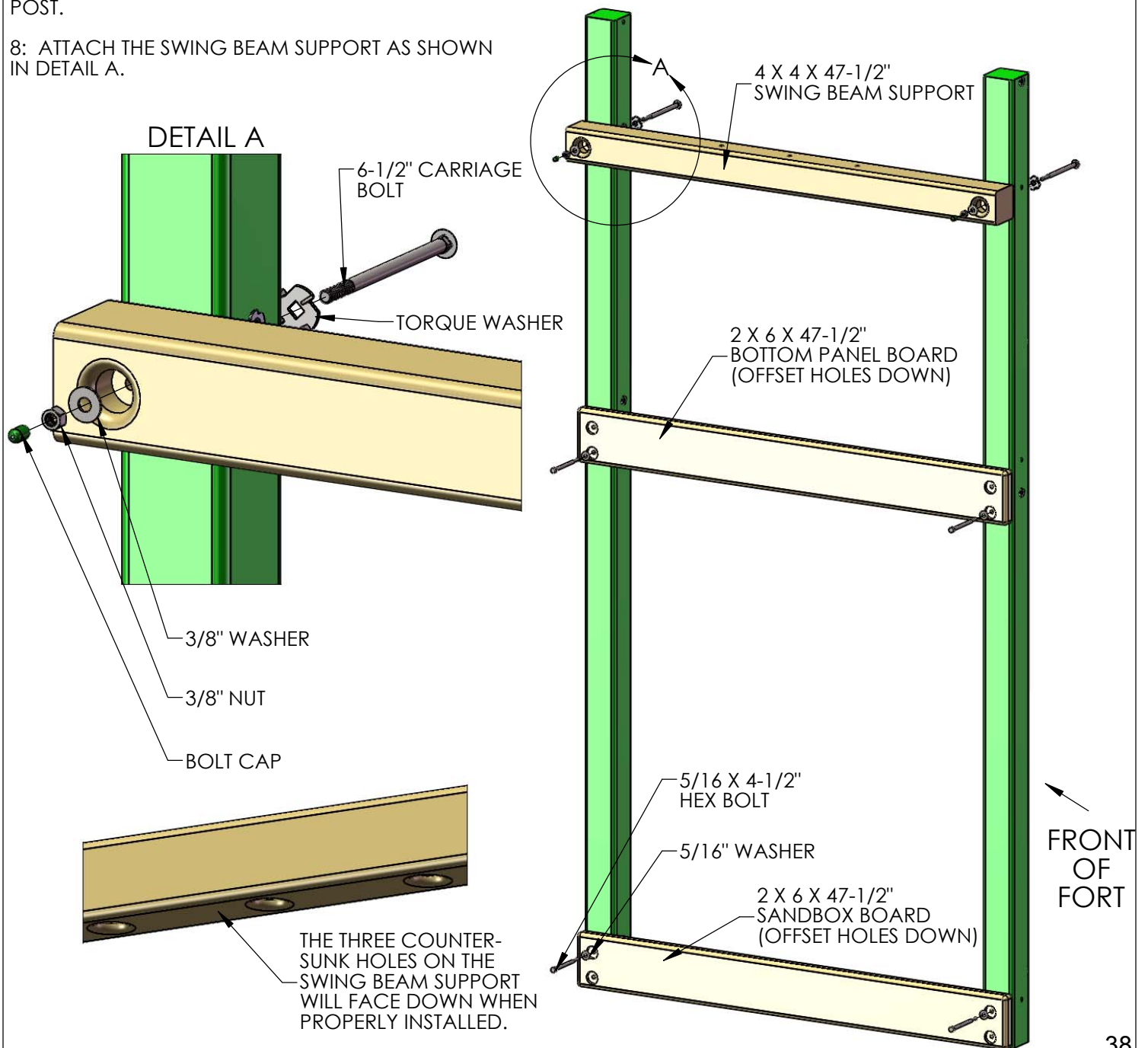
7: USE A 7/8" PADDLE BIT TO DRILL A HOLE IN THE CENTER OF THE TOP PANEL BOARD. THIS IS THE ONLY TIME YOU WILL NEED THIS DRILL BIT IN THE ASSEMBLY. YOU MAY PUT IT AWAY AFTER DRILLING THE HOLE.

8: DO NOT INSTALL LAG SCREWS AT THIS TIME.



STEP 3: ASSEMBLING THE LEFT SIDE FRAME

- 1: LAY THE LEFT SIDE CORNER POSTS ON THE GROUND IN THEIR PROPER ORIENTATION.
- 2: LAY THE 2 X 6 X 47-1/2" SANDBOX BOARD ON TOP OF THE LEFT SIDE CORNER POSTS AT THE BOTTOM OF THE CORNER POSTS. THE HOLES IN THE SANDBOX BOARD MUST BE OFFSET DOWN.
- 3: USE 5/16 X 4-1/2" HEX BOLTS AND 5/16" WASHERS TO ATTACH THE TOP HOLES OF THE SANDBOX BOARD TO THE T-NUTS INSTALLED ON THE CORNER POSTS. THE BOTTOM HOLES WILL BE USED LATER.
- 4: LAY THE 2 X 6 X 47-1/2" BOTTOM PANEL BOARD ON TOP OF THE LEFT SIDE CORNER POSTS IN THE MIDDLE OF THE CORNER POSTS. THE HOLES IN THE BOTTOM PANEL BOARD MUST BE OFFSET DOWN.
- 5: USE 5/16 X 4-1/2" HEX BOLTS AND 5/16" WASHERS TO ATTACH THE BOTTOM HOLES OF THE BOTTOM PANEL BOARD TO THE T-NUTS INSTALLED ON THE CORNER POSTS. THE TOP HOLES WILL BE USED LATER.
- 6: LAY THE 4 X 4 X 47-1/2" SWING BEAM SUPPORT ON TOP OF THE LEFT SIDE CORNER POSTS. THE THREE COUNTER-SUNK HOLES IN THE MIDDLE OF THE SWING BEAM SUPPORT MUST FACE DOWNWARD.
- 7: FIND TWO TORQUE WASHERS. PLACE A 6-1/2" CARRIAGE BOLT THROUGH THE TORQUE WASHER, MAKING SURE THAT THE TEETH ARE FACING IN THE SAME DIRECTION AS THE THREADS OF THE CARRIAGE BOLT. PLACE THE TORQUE WASHER/CARRIAGE BOLT ASSEMBLY INTO THE CORNER POST HOLES SO THAT THE HEAD OF THE CARRIAGE BOLT BOLT FACES WHAT WILL BE THE INSIDE OF THE FORT. USE A HAMMER TO SET THE TORQUE WASHER INTO THE CORNER POST.
- 8: ATTACH THE SWING BEAM SUPPORT AS SHOWN IN DETAIL A.

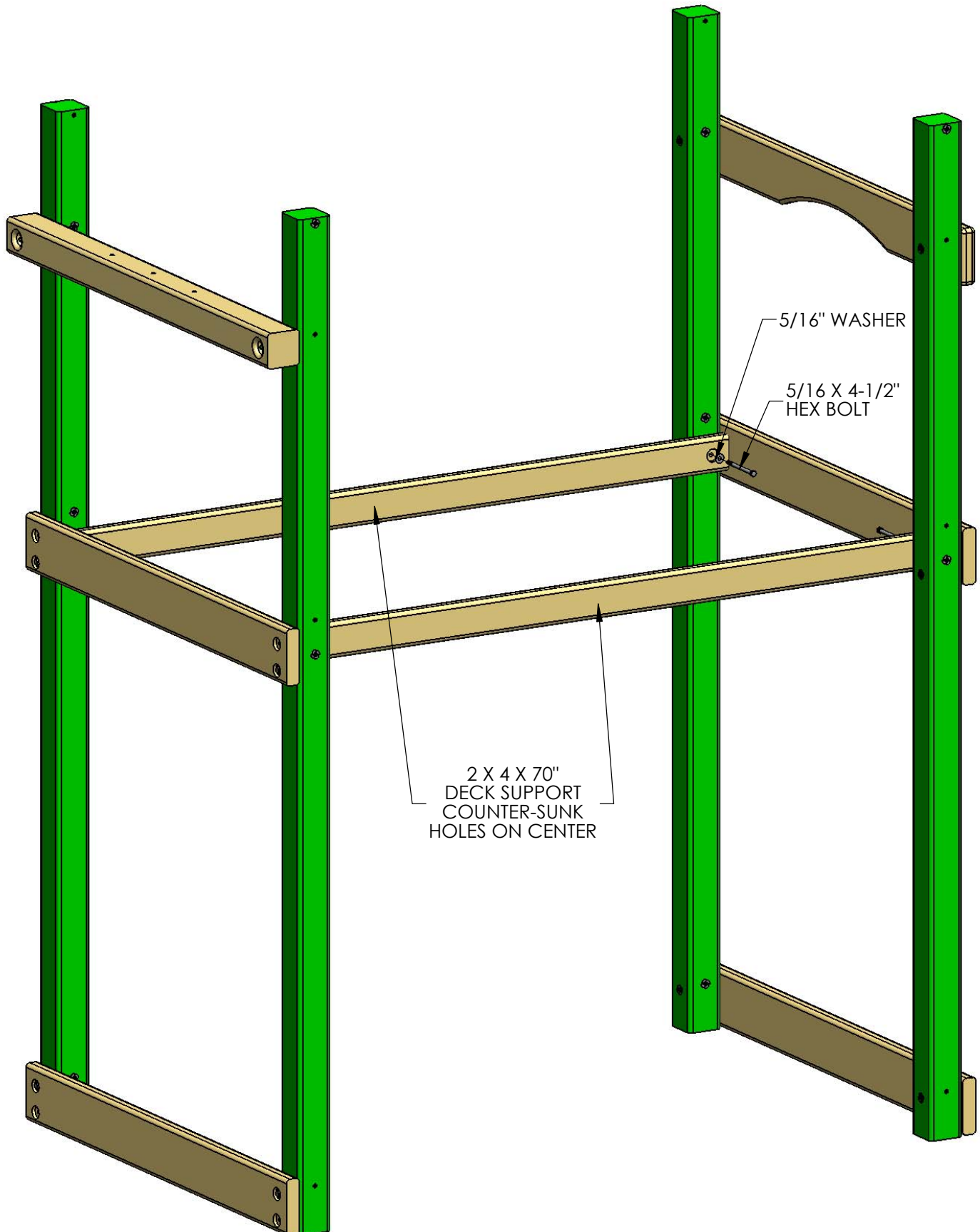


STEP 4: DECK SUPPORTS

YOU WILL NEED AN EXTRA PERSON FOR THIS STEP.

1: WITH HELP, STAND UP THE LEFT AND RIGHT SIDE ASSEMBLIES.

2: FASTEN THE 2 X 4 X 70" DECK SUPPORTS TO THE HOLES AT 54-3/4" WITH 5/16 X 4-1/2" HEX BOLTS AND 5/16" WASHERS FROM THE INSIDE OF THE FORT



STEP 5: FRONT FRAME ASSEMBLY

1: PLACE THE 2 X 6 X 102" ROPE LADDER RUNNER ON THE FRONT OF THE CORNER POSTS. THE HOLES IN THE ROPE LADDER RUNNER SHOULD BE OFFSET UP.

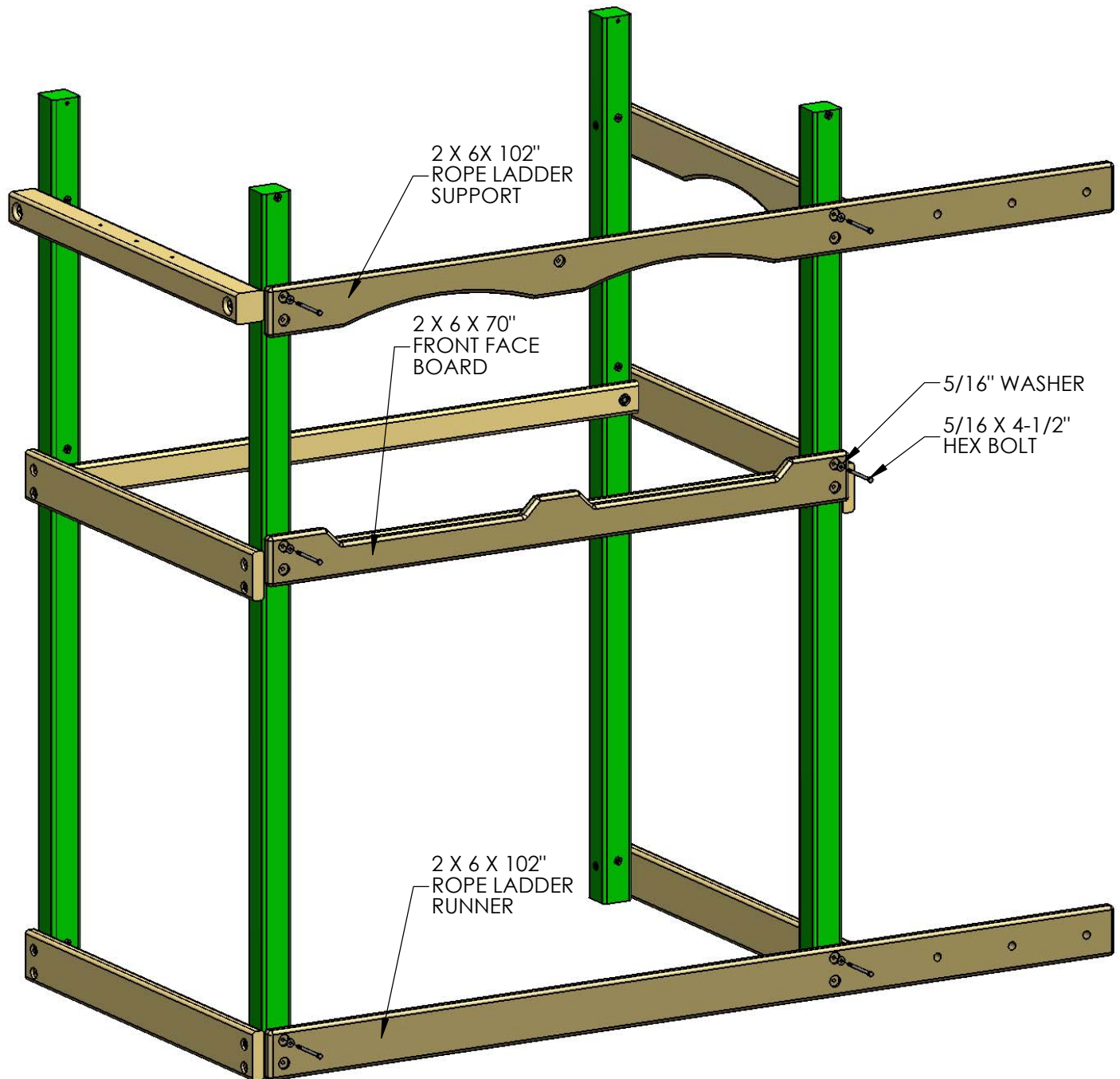
2: USE 5/16 X 4-1/2" HEX BOLTS AND 5/16" WASHERS TO ATTACH THE TOP HOLES OF THE SANDBOX BOARD TO THE T-NUTS INSTALLED ON THE CORNER POSTS. THE BOTTOM HOLES WILL BE USED LATER.

3: PLACE THE 2 X 6 X 70" FRONT FACE BOARD WITH NOTCHES ON THE FRONT OF THE CORNER POSTS. THE HOLES IN THE FRONT FACE BOARD SHOULD BE OFFSET UP.

4: USE 5/16 X 4-1/2" HEX BOLTS AND 5/16" WASHERS TO ATTACH THE TOP HOLES OF THE FRONT FACE BOARD TO THE T-NUTS INSTALLED ON THE CORNER POSTS. THE BOTTOM HOLES WILL BE USED LATER.

5: PLACE THE 2 X 6 X 102" ROPE LADDER SUPPORT ON THE FRONT OF THE CORNER POSTS. THE HOLES IN THE ROPE LADDER SUPPORT SHOULD BE OFFSET UP.

6: USE 5/16 X 4-1/2" HEX BOLTS AND 5/16" WASHERS TO ATTACH THE TOP HOLES OF THE ROPE LADDER SUPPORT TO THE T-NUTS INSTALLED ON THE CORNER POSTS.



STEP 6: REAR FRAME ASSEMBLY

1: PLACE THE 2 X 6 X 70" SANDBOX BOARD ON THE BOTTOM REAR OF THE CORNER POSTS. THE HOLES IN THE SANDBOX BOARD MUST BE OFFSET UP.

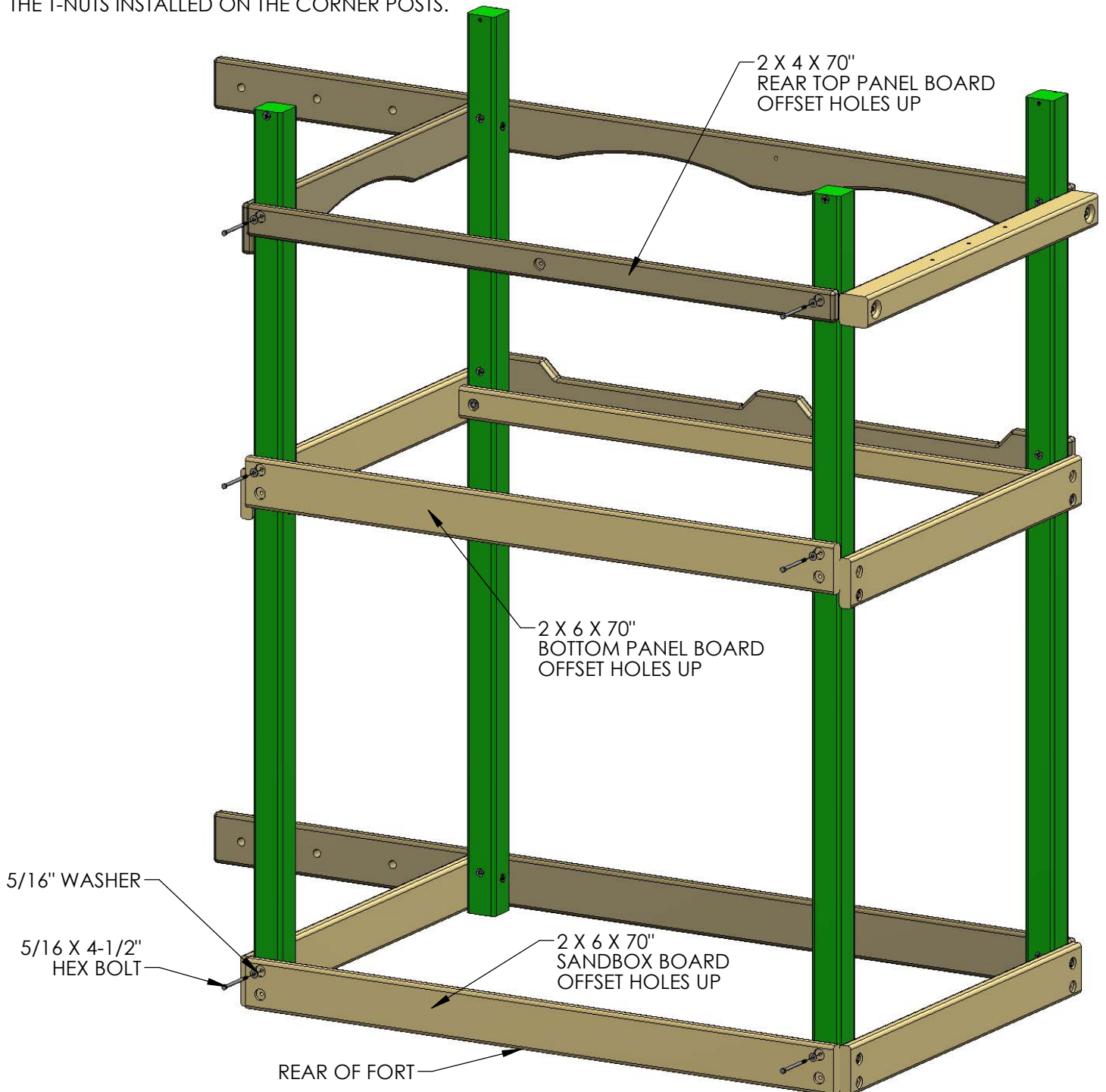
2: USE 5/16 X 4-1/2" HEX BOLTS AND 5/16" WASHERS TO ATTACH THE TOP HOLES OF THE SANDBOX BOARD TO THE T-NUTS INSTALLED ON THE CORNER POSTS. THE BOTTOM HOLES WILL BE USED LATER.

3: PLACE THE 2 X 6 X 70" BOTTOM PANEL BOARD AT THE MIDDLE OF THE REAR CORNER POSTS. THE HOLES IN THE BOTTOM PANEL BOARD MUST BE OFFSET UP.

4: USE 5/16 X 4-1/2" HEX BOLTS AND 5/16" WASHERS TO ATTACH THE TOP HOLES OF THE BOTTOM PANEL BOARD TO THE T-NUTS INSTALLED ON THE CORNER POSTS. THE BOTTOM HOLES WILL BE USED LATER.

5: PLACE THE 2 X 4 X 70" REAR TOP PANEL BOARD NEAR THE TOP OF THE REAR CORNER POSTS. THE HOLES IN THE TOP PANEL BOARD MUST BE OFFSET UP.

6: USE 5/16 X 4-1/2" HEX BOLTS AND 5/16" WASHERS TO ATTACH THE HOLES OF THE TOP PANEL BOARD TO THE T-NUTS INSTALLED ON THE CORNER POSTS.

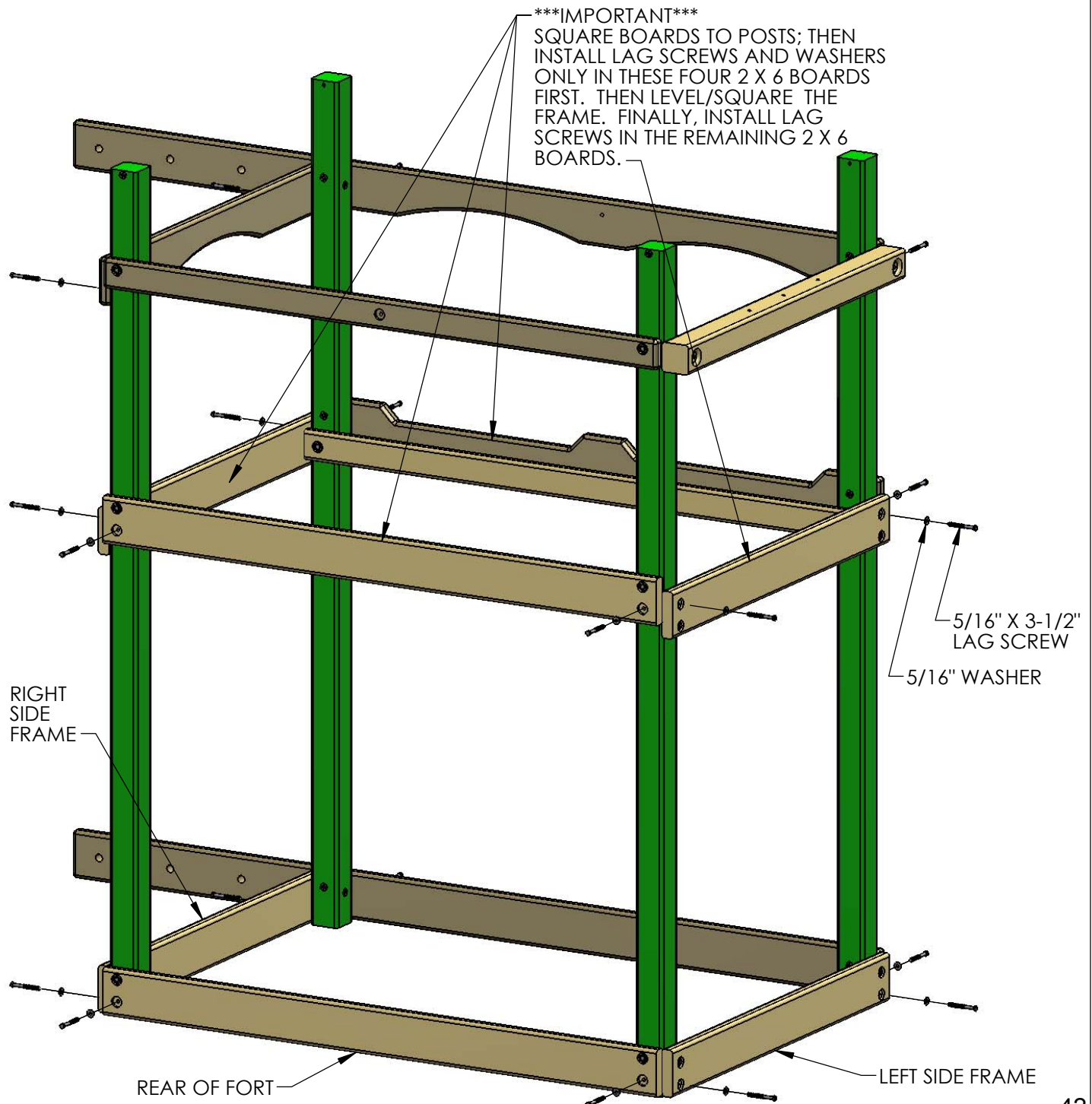


STEP 6A: LEVELING THE PLAY SET AND LAGS

1: INSTALL LAG SCREWS ONLY IN THE FOUR 2 X 6 BOARDS AT DECK HEIGHT AT THIS TIME. SQUARE EACH OF THESE FOUR BOARDS TO THE CORNER POSTS AND THEN INSTALL THE LAG SCREWS. THIS IS TO MAKE THE STRUCTURE RIDGID FOR THE LEVELING AND SQUARING PROCESS.

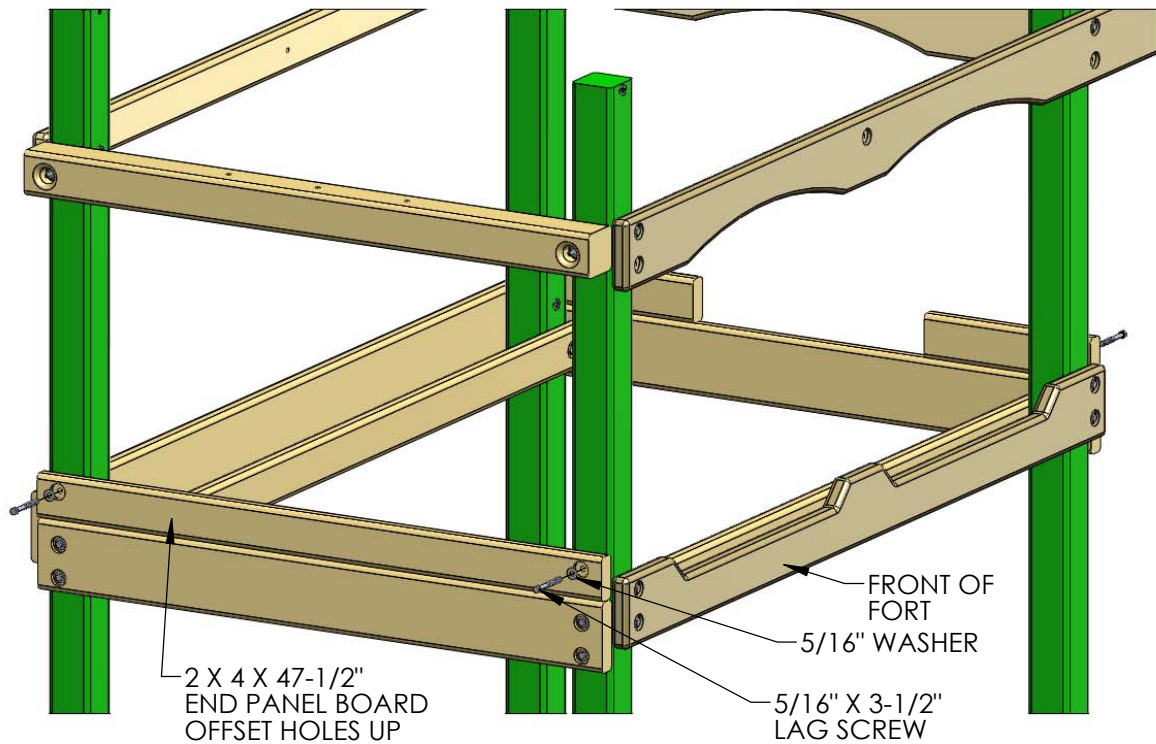
2: PLACE THE FRAME IN ITS FINAL POSITION AND FOLLOW THE PROCEDURES AT THE FRONT OF THE MANUAL TO LEVEL AND SQUARE THE STRUCTURE. HAVE AN ASSISTANT HELP YOUR LIFT THE FRAME AS REQUIRED. **DO NOT** INSTALL REMAINING LAG SCREWS UNTIL AFTER THE FRAME HAS BEEN LEVELED AND SQUARED.

3: ONCE THE FRAME IS LEVEL, SQUARE AND SET INTO POSITION; GO BACK AND INSERT THE 5/16" X 3-1/2" LAG SCREWS AND 5/16" WASHERS IN ALL THE REMAINING HOLES OF THE 2 X 6 PARTS ON THE FRONT, SIDES AND REAR OF THE PLAY SET. NOTE: THERE WILL NOT BE ANY PREDRILLED HOLES IN THE CORNER POSTS FOR THE LAG SCREWS.

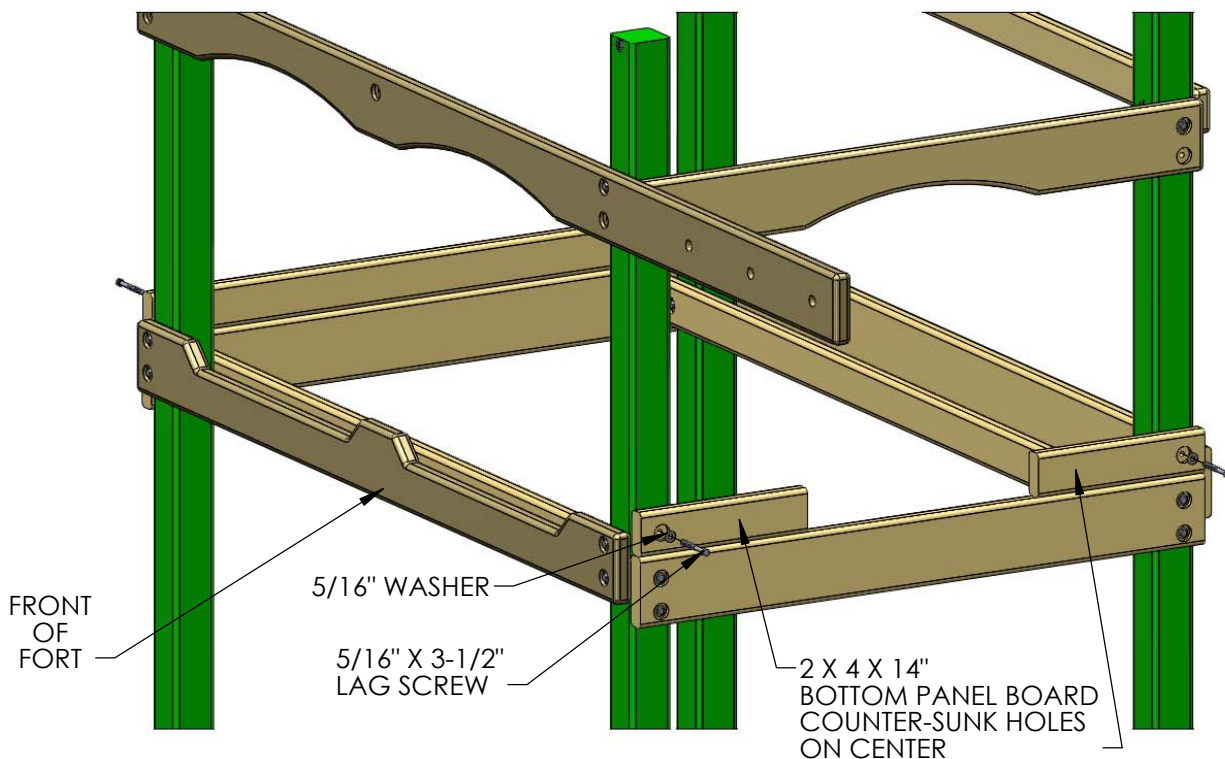


STEP 7: BOTTOM PANEL BOARDS

1: PLACE THE 2 X 4 X 47-1/2" END PANEL BOARD ON TOP OF THE 2 X 6 PANEL BOARD WITH OFFSET HOLES UP AND FASTEN TO THE CORNER POSTS WITH 5/16 X 3-1/2" LAG SCREWS WITH 5/16" WASHERS.



2: PLACE THE 2 X 4 X 14" BOTTOM PANEL BOARD ON TOP OF THE 2 X 6 PANEL BOARD AND FASTEN TO THE CORNER POSTS WITH 5/16 X 3-1/2" LAG SCREWS WITH 5/16" WASHERS.



! ATTENTION !

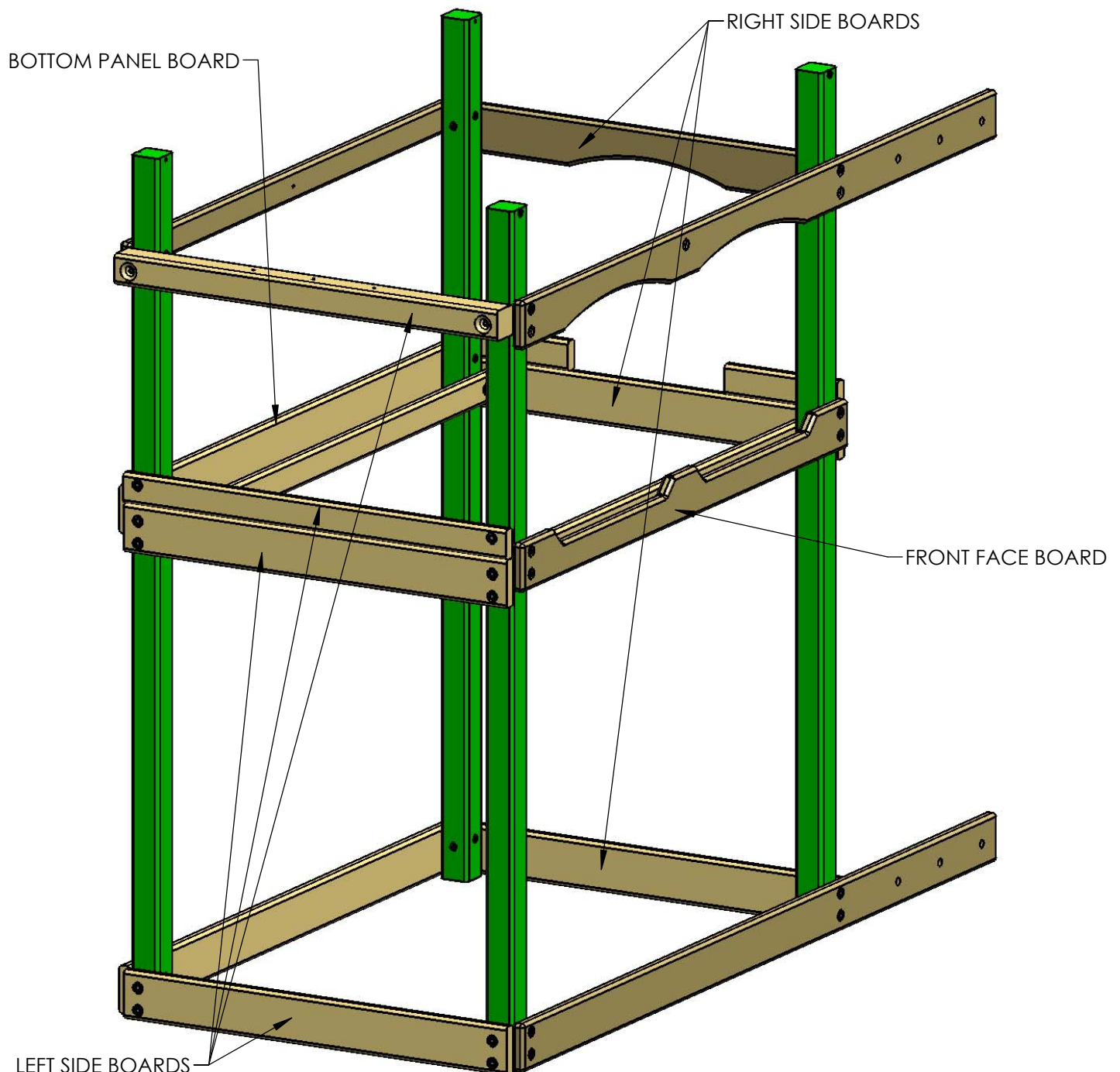
IN THE FOLLOWING THREE STEPS YOU WILL BEGIN THE INSTALLATION OF THE DECK SPACERS AND DECK BOARDS. IF YOU HAVE DIFFICULTY GETTING THE DECK BOARDS/DECK SPACERS TO FIT BETWEEN THE FRONT FACE BOARD AND BOTTOM PANEL BOARD DO THE FOLLOWING:

1: LOOSEN UP THE BOARDS ON THE LEFT AND RIGHT SIDES OF THE PLAY SET. REMOVE THE SCREWS ON ONE SIDE OF EACH DECK SPACER.

2: ALLOW THE DECK BOARDS TO DROP DOWN IN BETWEEN THE FRONT FACE BOARD AND BOTTOM PANEL BOARD.

3: TIGHTEN UP THE BOARDS ON THE LEFT AND RIGHT SIDES OF THE PLAY SET.

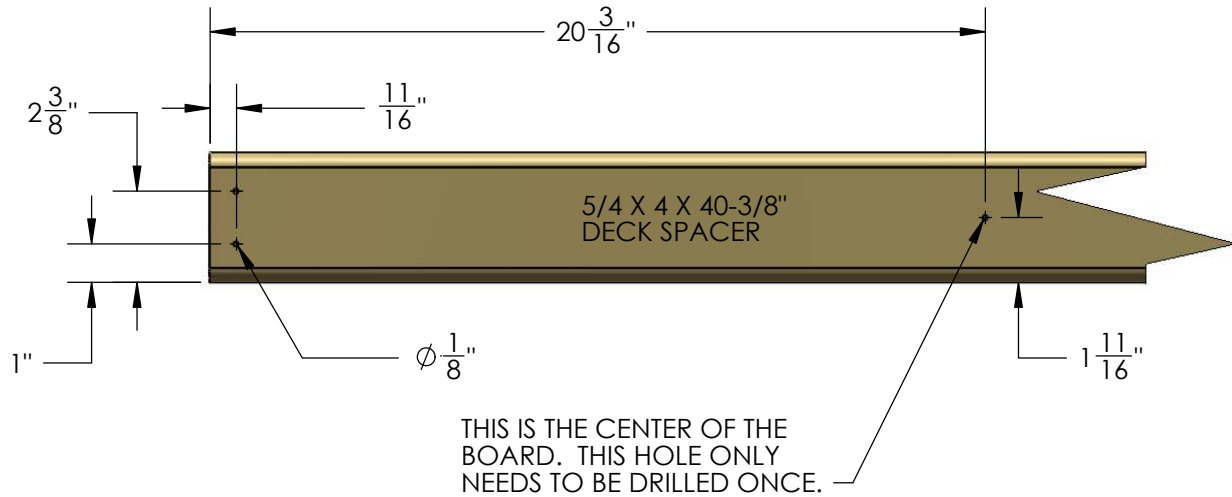
4: RE-INSTALL THE SCREWS IN THE DECK SPACERS. THEN INSTALL THE DECK BOARDS AS INDICATED IN THE INSTRUCTIONS.



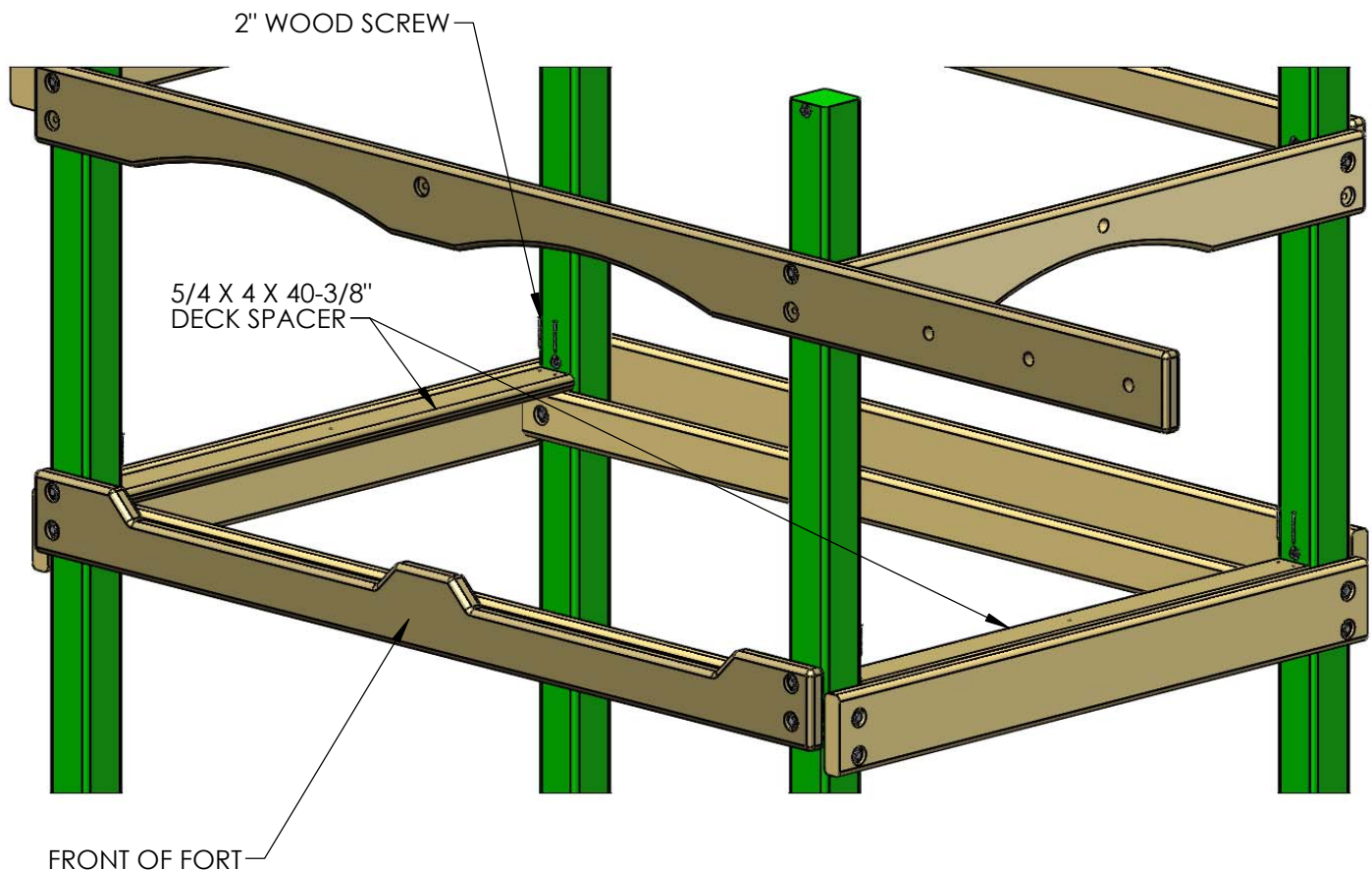
STEP 8: DECK SPACERS

THE FOLLOWING STEP IS RECOMMENDED TO PREVENT POSSIBLE SPLITS IN THE WOOD

1: PRE-DRILL THE ENDS OF THE 5/4 X 4 X 40-3/8" DECK SPACERS TO PREVENT INSTALLATION DAMAGE. PRE-DRILL BOTH ENDS WITH A 1/8" DRILL BIT AT THE DIMENSIONS SHOWN BELOW. THE HOLE AT 20-3/16" IS THE CENTER OF THE BOARD AND ONLY NEEDS TO BE DRILLED ONCE. THIS HOLE IS TO ATTACH THE CENTER DECK SUPPORT TO THE DECK SPACER.



2: PLACE THE 5/4 X 4 X 40-3/8" DECK SPACER AT ONE END OF THE FORT. CENTER THE BOARD BETWEEN THE CORNER POSTS AND ATTACH IT WITH 2" WOOD SCREWS THROUGH THE PREDRILLED HOLES AND INTO THE DECK SUPPORT BELOW. NOTE THE TOP OF THE SCREW HEAD SHOULD BE FLUSH TO THE TOP OF THE DECK SPACER.



NOTE: BOTTOM PANEL BOARDS AND END PANEL BOARD REMOVED FOR CLARITY.

STEP 9: CENTER DECK SUPPORT

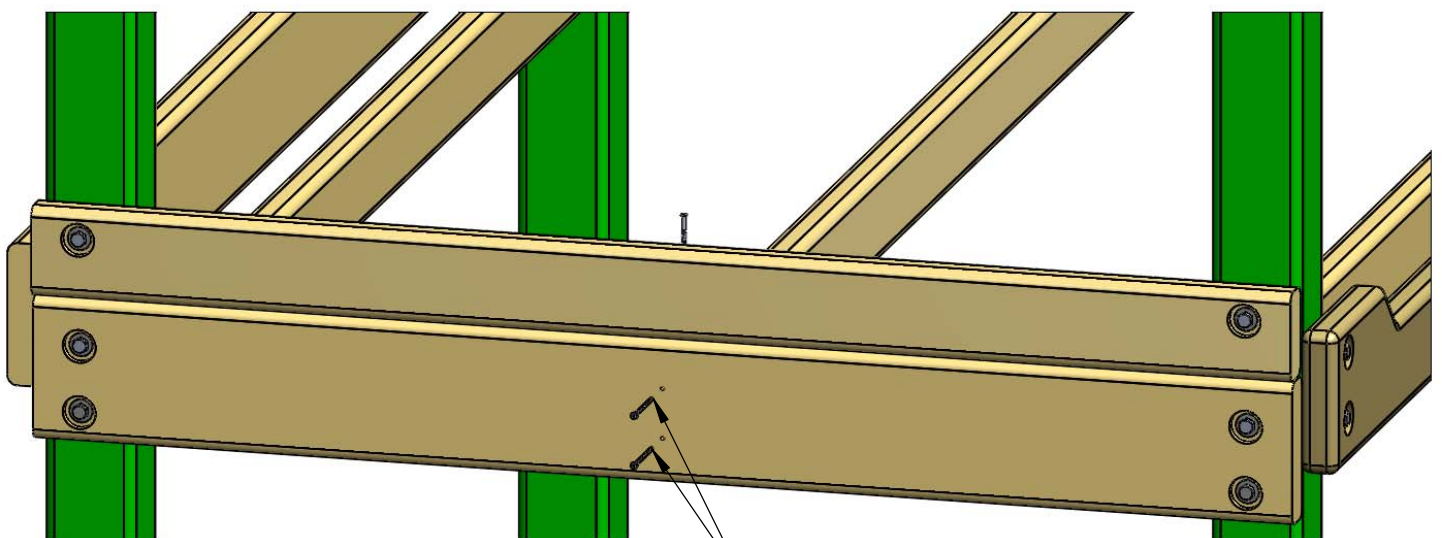
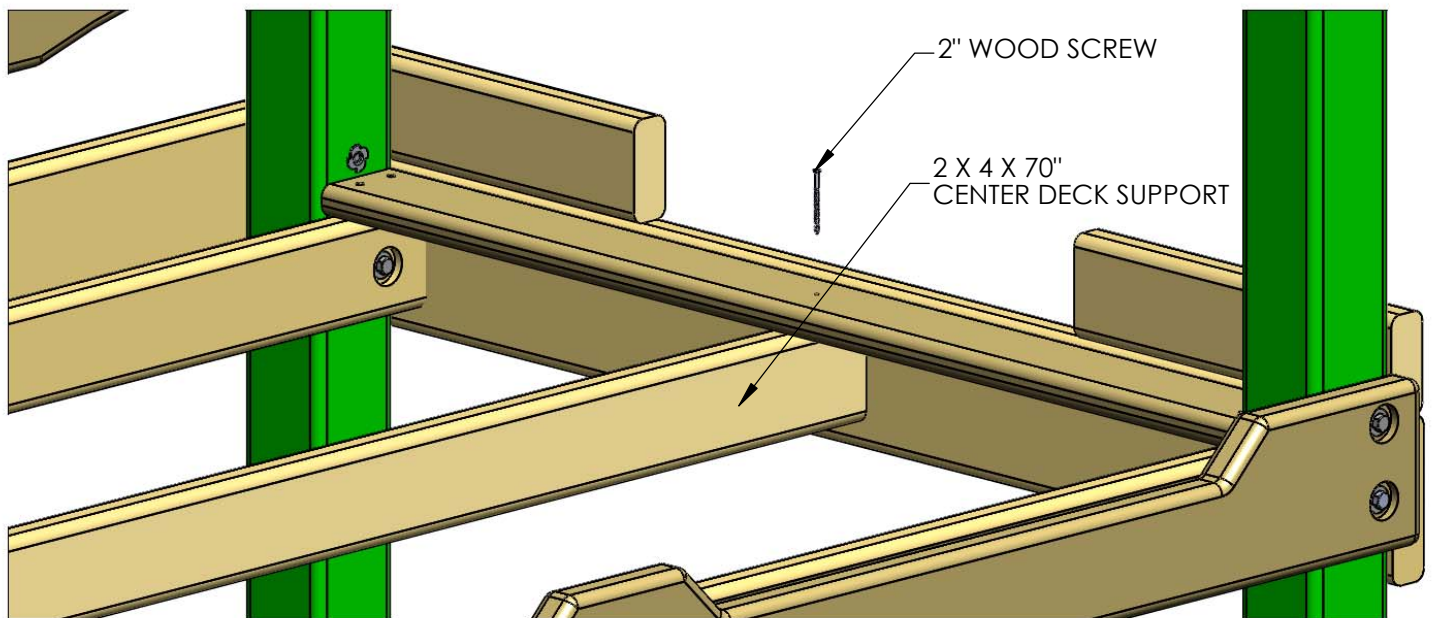
1: FIND THE 2 X 4 X 70" CENTER DECK SUPPORT WITHOUT HOLES.

2: FROM THE UNDERSIDE OF THE DECK SPACERS THAT WERE PREVIOUSLY INSTALLED, PLACE THE CENTER DECK SUPPORT AT THE CENTER OF THE DECK SPACERS (USE THE HOLE ON CENTER AS A GUIDE) AND MAKE A MARK ON THE OUTSIDE OF THE FORT TO REPRESENT A CENTER LINE.

3: USE 2" WOOD SCREWS TO ATTACH THE DECK SPACERS TO THE CENTER DECK SUPPORT.

4: CENTER THE 2 X 4 X 70" CENTER DECK SUPPORT ON THESE MARKS AND PUSH THE CENTER DECK SUPPORT FLUSH TO THE BOTTOM SIDE OF THE DECK BOARDS.

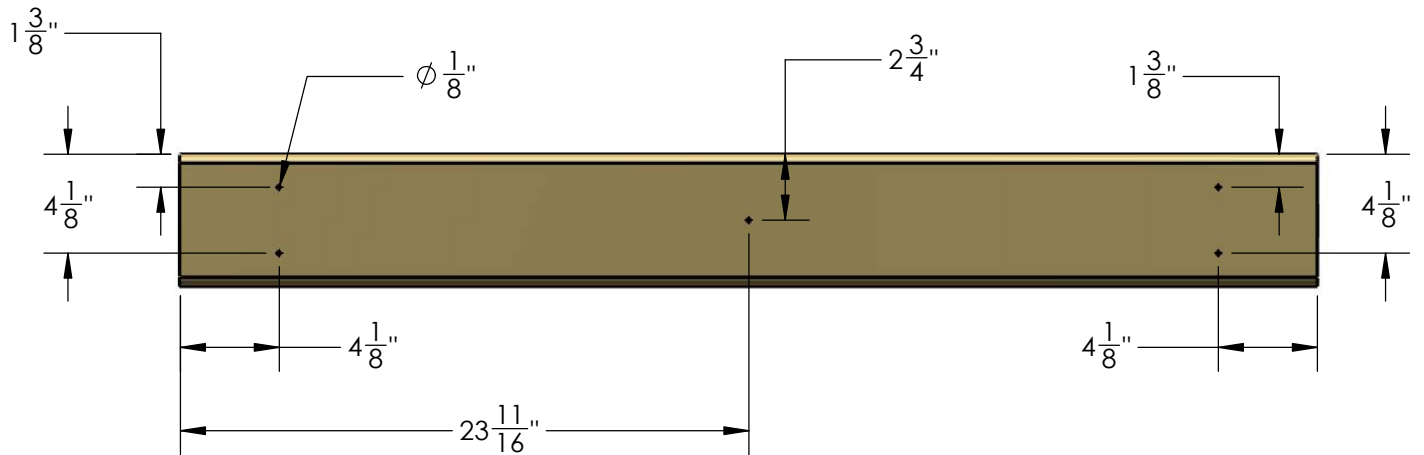
5: USING TWO 2-1/2" WOOD SCREWS, INSTALL THE 2 X 4 X 70" CENTER DECK SUPPORT THROUGH THE OUTSIDE OF THE 2 X 6, AND INTO THE END OF THE CENTER DECK SUPPORT. REPEAT THIS STEP ON THE OPPOSITE END OF THE FORT.



STEP 10: DECK BOARDS

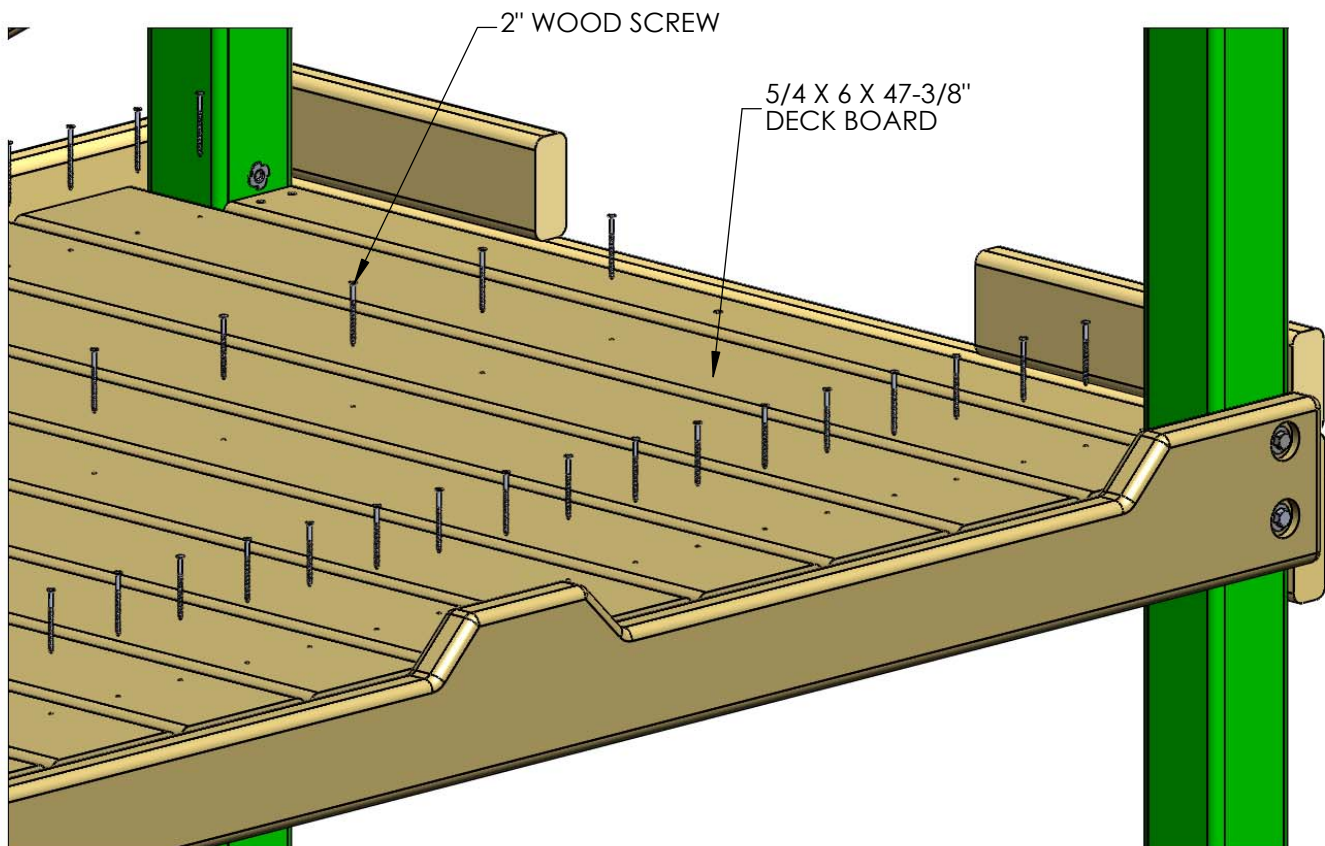
THE FOLLOWING STEP IS RECOMMENDED TO PREVENT POSSIBLE SPLITS IN THE WOOD

1: PRE-DRILL THE ENDS OF THE DECK BOARDS TO PREVENT INSTALLATION DAMAGE. PRE-DRILL BOTH ENDS WITH A $\frac{1}{8}$ " DRILL BIT AT THE DIMENSIONS SHOWN BELOW.



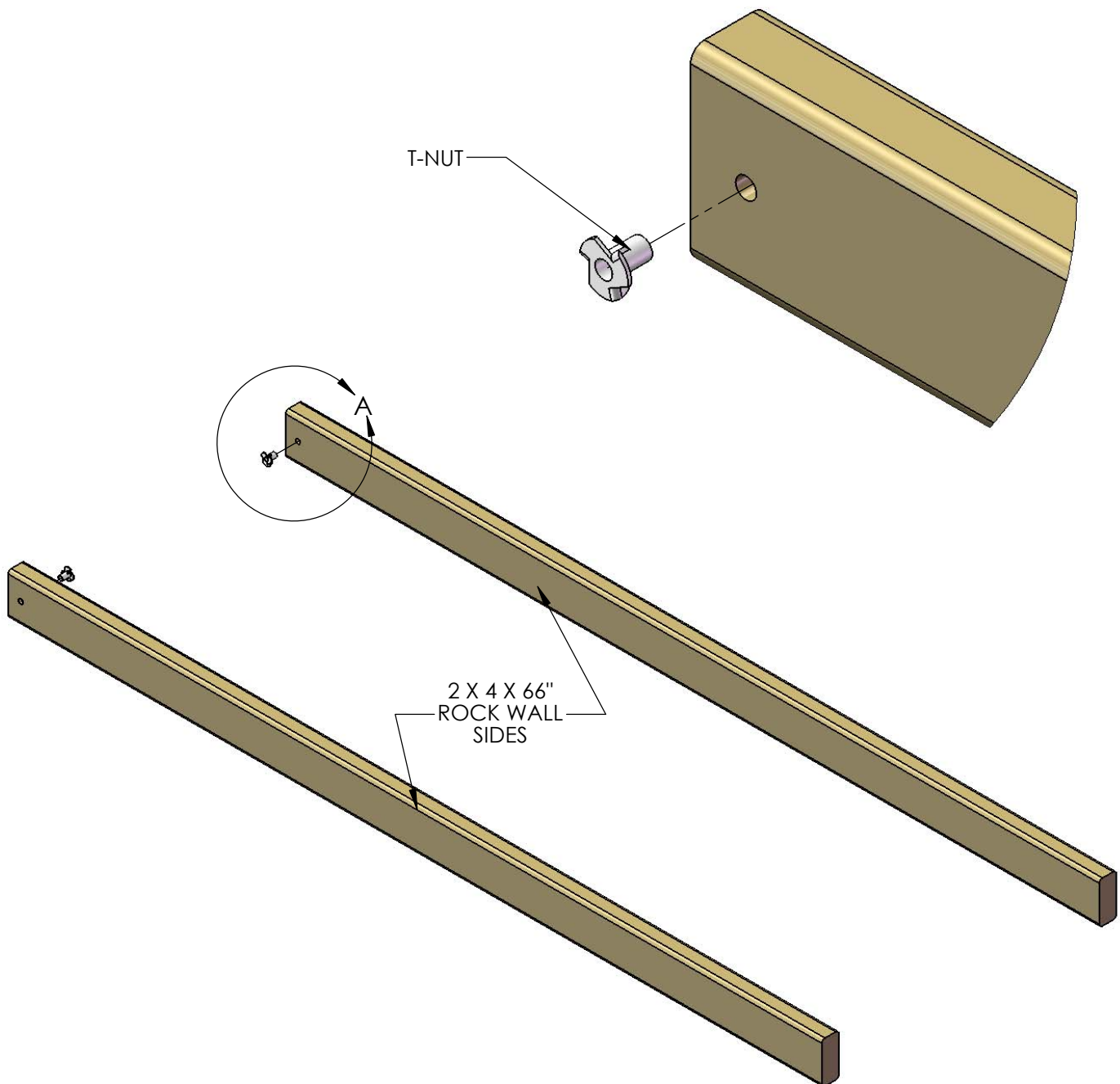
2: START WITH A $5/4 \times 6 \times 47\text{-}3/8$ " DECK BOARD AT ONE END OF THE FORT. CENTER THE BOARD BETWEEN THE FRONT FACE BOARD AND THE REAR BOTTOM PANEL BOARD AND ATTACH IT WITH 2" WOOD SCREWS THROUGH THE PREDRILLED HOLES AND INTO THE DECK SUPPORT BELOW. LEAVE A UNIFORM (APPROX. $1/4$ ") SPACE BETWEEN THE DECK BOARDS. NOTE: THE TOP OF THE SCREW HEAD SHOULD BE FLUSH TO THE TOP OF THE DECK BOARDS.

LAY ALL DECK BOARDS ACROSS THE DECK SUPPORTS BEFORE SECURING THEM TO THE FORT. THIS WILL ENSURE THAT YOU HAVE EQUAL SPACING ACROSS THE DECK.



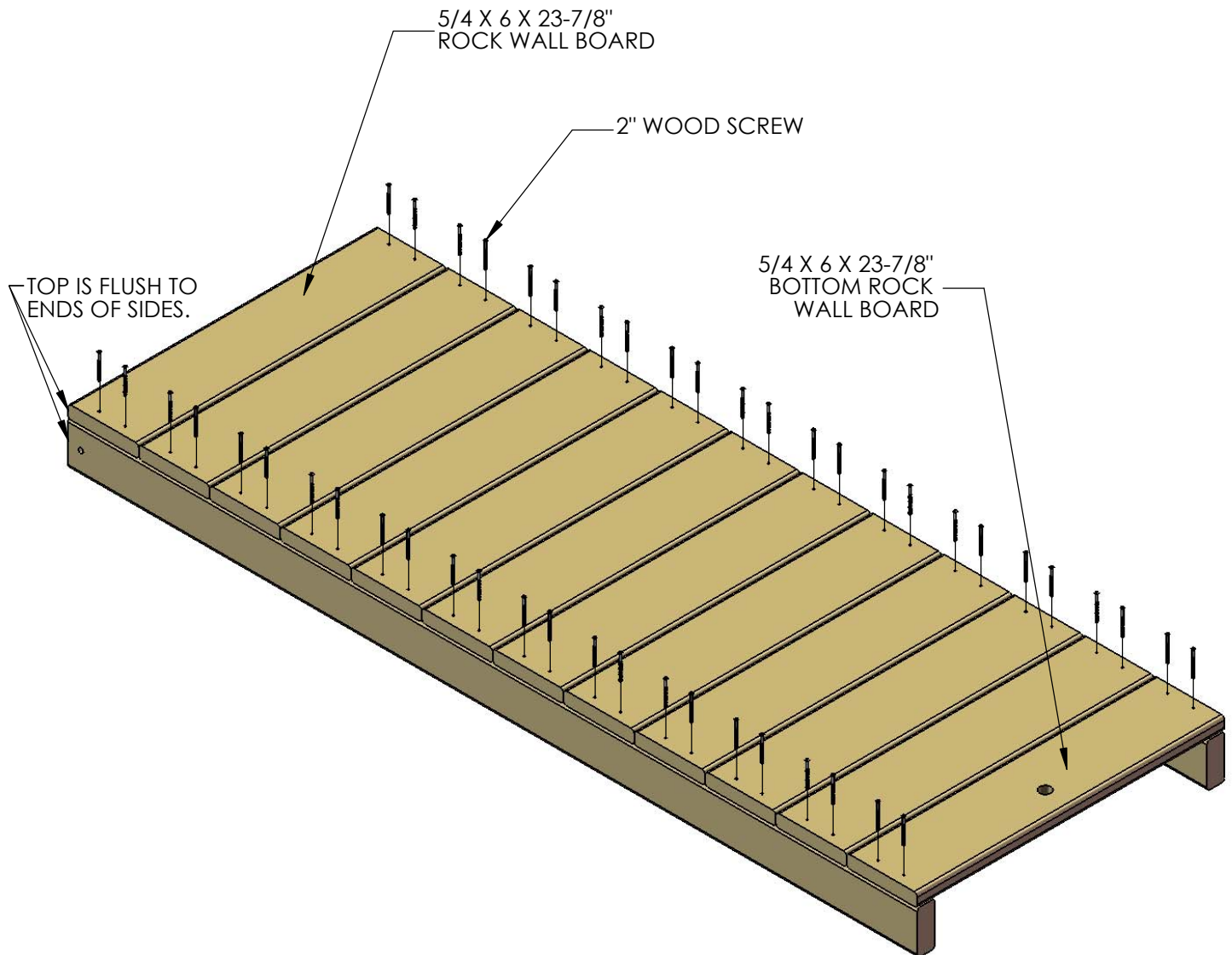
STEP 11: ROCK WALL

- 1: FIND TWO 2 X 4 X 66" ROCK WALL SIDES.
- 2: POSITION THE ROCK WALL SIDES SO THAT THE HOLES IN THE BOARDS ARE BOTH FACING THE SAME WAY.
- 3: INSERT T-NUTS INTO THE INSIDE OF THE ROCK WALL SIDES AND SET WITH A HAMMER.



STEP 12: ROCK WALL

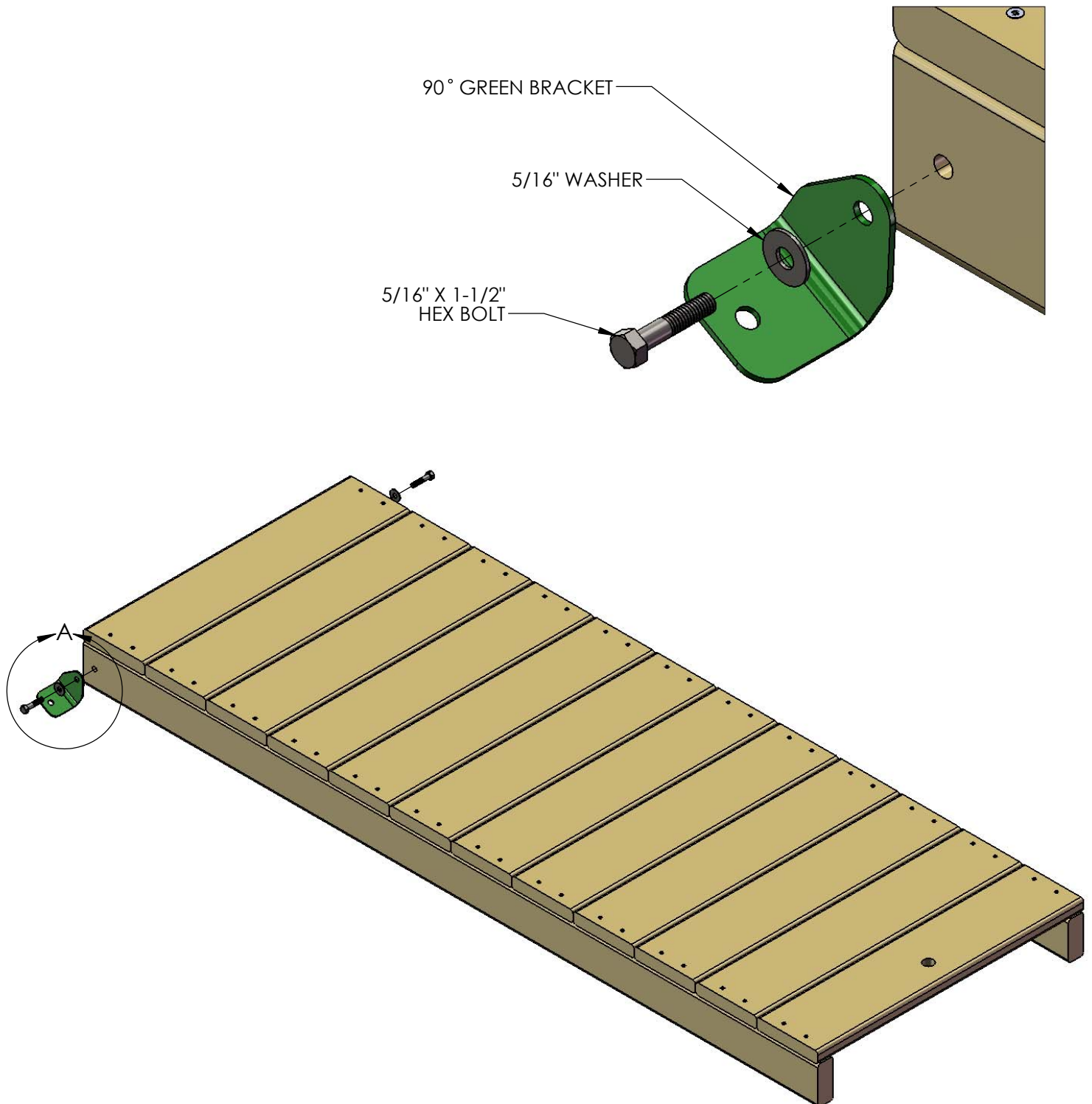
- 1: FIND ELEVEN 5/4 X 6 X 23-7/8" ROCK WALL BOARDS, AND ONE 5/4 X 6 X 23-7/8" BOTTOM ROCK WALL BOARD (1 HOLE).
- 2: STARTING FROM THE TOP, PLACE ONE ROCK WALL BOARD ON TOP OF THE ROCK WALL SIDES, FLUSH TO THE TOP OF THE ROCK WALL SIDES, AND ATTACH WITH TWO 2" WOOD SCREWS IN EACH SIDE.
- 3: CONTINUE DOWN THE ROCK WALL WITH THE REMAINING ROCK WALL BOARDS, FASTENING EACH BOARD WITH TWO 2" WOOD SCREWS ON EACH END.
- 4: THE FINAL BOARD WILL BE THE BOTTOM ROCK WALL BOARD WITH ONE HOLE. ATTACH WITH TWO 2" WOOD SCREWS PER SIDE.
- 5: IN SOME CASES, THERE WILL BE EXCESS LENGTH ON THE ROCK WALL SIDES. THIS IS DUE TO MILLING VARIATIONS, AND IS ALSO USED TO HELP LEVEL THE ROCK WALL SIDES ON UNEVEN GROUND.
- 6: ROCK WALL SIDES MAY NOT BE EVEN WITH THE BOTTOM ROCK WALL BOARD DUE TO MILLING VARIATIONS AND WOOD SHRINKAGE.



STEP 13: ROCK WALL

1: FASTEN THE 90° GREEN BRACKET TO THE ROCK WALL SIDES WITH 5/16" X 1-1/2" HEX BOLTS AND 5/16" WASHERS.

2: DO NOT FULLY TIGHTEN THE HEX BOLTS INTO THE T-NUTS AT THIS TIME.

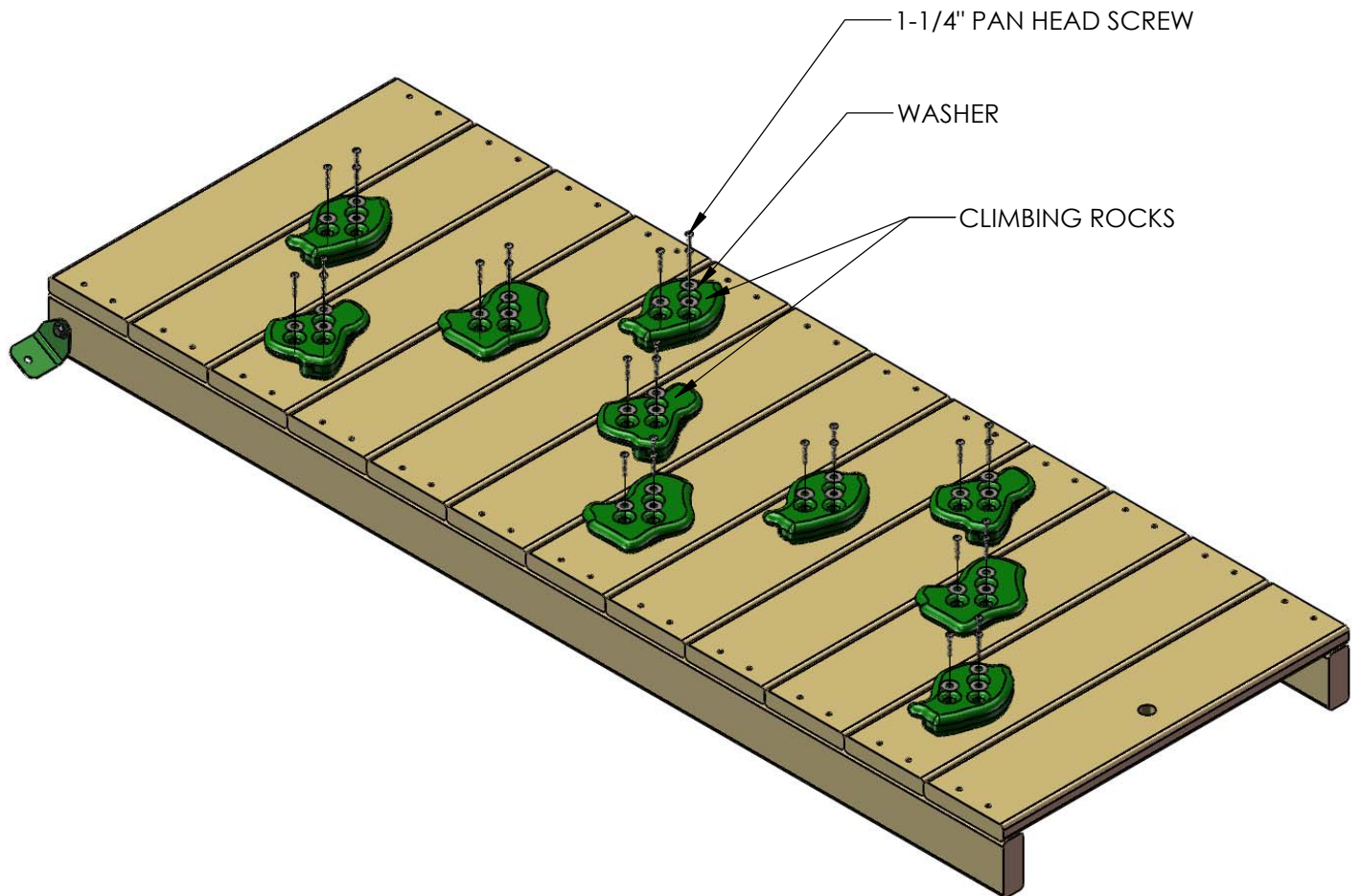


STEP 14: ROCK WALL

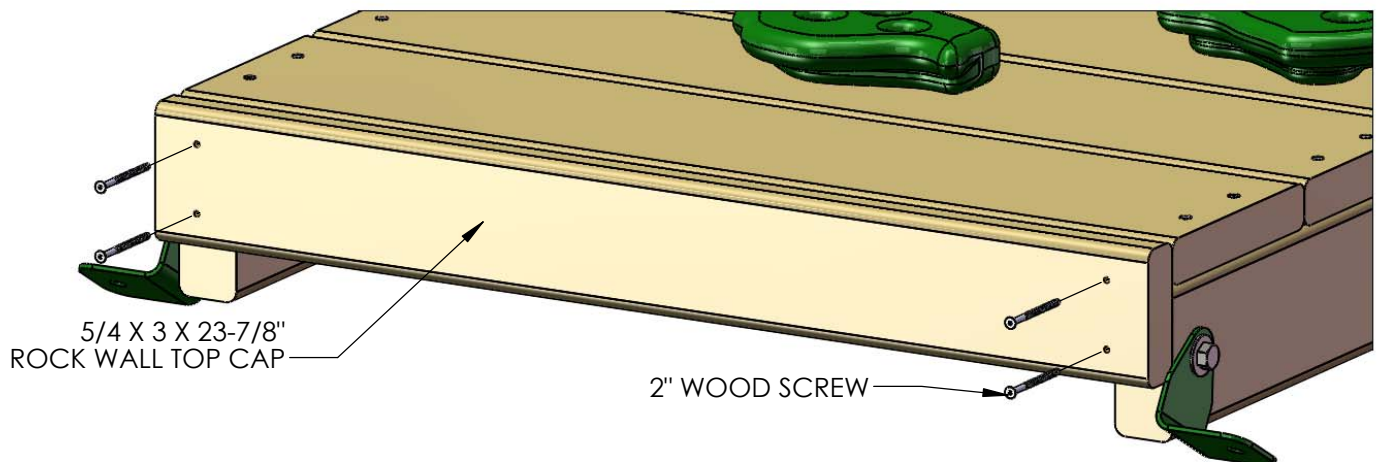
1: FIND TEN ROCKS AND THIRTY 1-1/4" PAN HEAD SCREWS WITH WASHERS.

2: MOUNT THE ROCKS IN A STAGGERED MANNER ON THE ROCK WALL BOARDS. THREE PAN HEAD SCREWS AND WASHERS WILL SECURE EACH ROCK TO THE WALL.

NOTE: THE IMAGE SHOWN BELOW IS A GENERIC ARRANGEMENT OF ROCKS ON THE ROCK WALL. YOUR ACTUAL CONFIGURATION MAY BE DIFFERENT THAT WHAT YOU SEE BELOW. ROCKS CAN BE ARRANGED IN ANY PATTERN AS LONG AS THEY WILL ALLOW PROPER ACCESS TO THE FORT. BE CREATIVE!

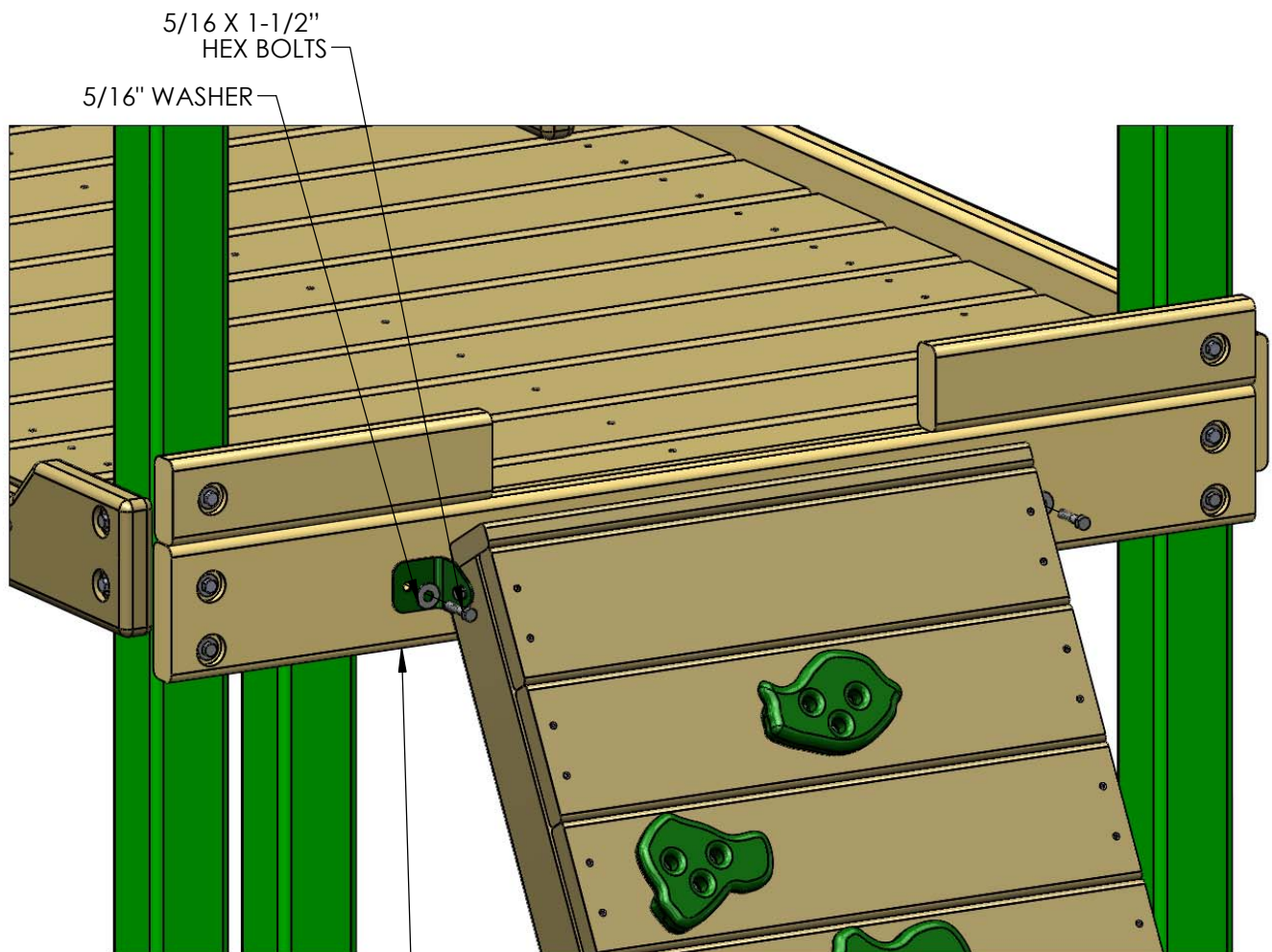


3: PLACE THE 5/4 X 3 X 23-7/8" ROCK WALL TOP CAP ON TOP OF THE ROCK WALL SIDES. FASTEN THE ROCK WALL TOP CAP TO THE ROCK WALL SIDES WITH 2" WOOD SCREWS.



STEP 15: ATTACHING THE ROCK WALL

- 1: PLACE THE ROCK WALL INTO POSITION ON THE RIGHT SIDE OF THE FORT AS SHOWN BELOW. USING THE 90° GREEN BRACKETS AS A TEMPLATE; DRILL A 3/8" HOLE THROUGH THE BOTTOM PANEL BOARD.
- 2: GO UNDERNEATH THE DECK TO INSERT A T-NUT INTO THE BACKSIDE OF THE 3/8" HOLES IN THE BOTTOM PANEL BOARD.
- 3: ATTACH THE ROCK WALL WITH 5/16 X 1-1/2" BOLTS AND 5/16" WASHERS.
- 4: WHEN THE BRACKETS ARE SECURE, AND THE ROCK WALL IS IN ITS FINAL POSITION; TIGHTEN THE 5/16 X 1-1/2" BOLTS ON THE ROCK WALL SIDES.



RIGHT SIDE OF FORT

INSERT T-NUT BEHIND THE
2 X 6 ON BOTH SIDES.

STEP 16: CLIMBING RAMP

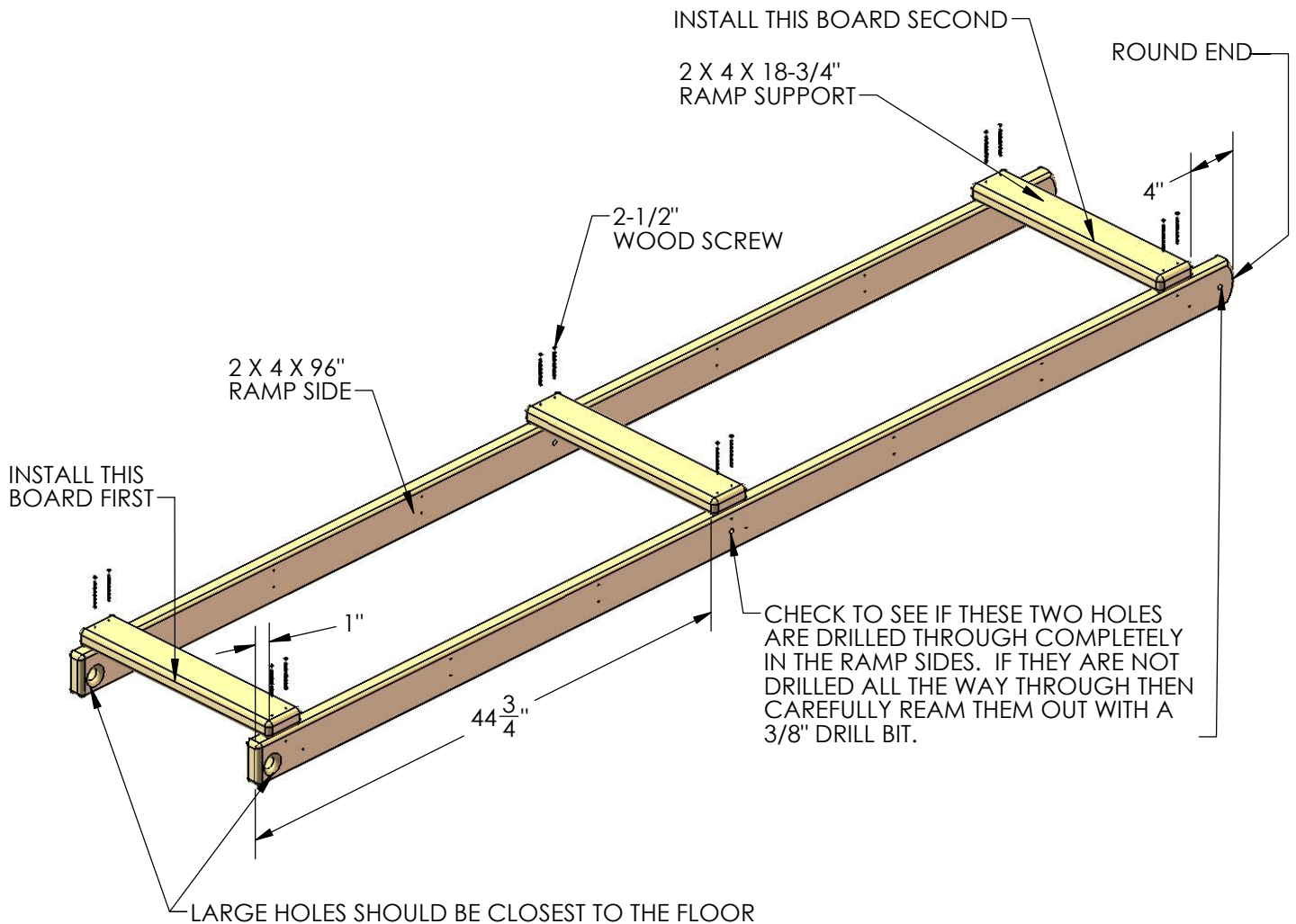
1: LAY OUT THE 2 X 4 X 96" RAMP SIDE BOARDS MAKING SURE THE LARGE HOLES ON THE ENDS ARE CLOSEST TO THE FLOOR.

2: FIRST PLACE ONE 2 X 4 X 18-3/4" RAMP SUPPORT BOARD AT THE SQUARE END OF THE 2 X 4 X 96" RAMP SIDE BOARDS. OFFSET THE BOARD 1" FROM THE END. FASTEN THE RAMP SUPPORT BOARD TO THE RAMP SIDE BOARDS WITH TWO 2-1/2" WOOD SCREWS PER SIDE.

3: SECOND PLACE ONE 2 X 4 X 18-3/4" RAMP SUPPORT BOARD AT THE ROUND END OF THE 2 X 4 X 96" RAMP SIDE BOARDS. OFFSET THE BOARD 4" FROM THE ROUND END. FASTEN THE RAMP SUPPORT BOARD TO THE RAMP SIDE BOARDS WITH TWO 2-1/2" WOOD SCREWS PER SIDE.

4: PLACE THE REMAINING 2 X 4 X 18-3/4" RAMP SUPPORT BOARD ACROSS THE RAMP SIDE BOARDS IN THE MIDDLE, 44-3/4" FROM THE SQUARE END AND FASTEN WITH TWO 2-1/2" WOOD SCREWS PER SIDE.

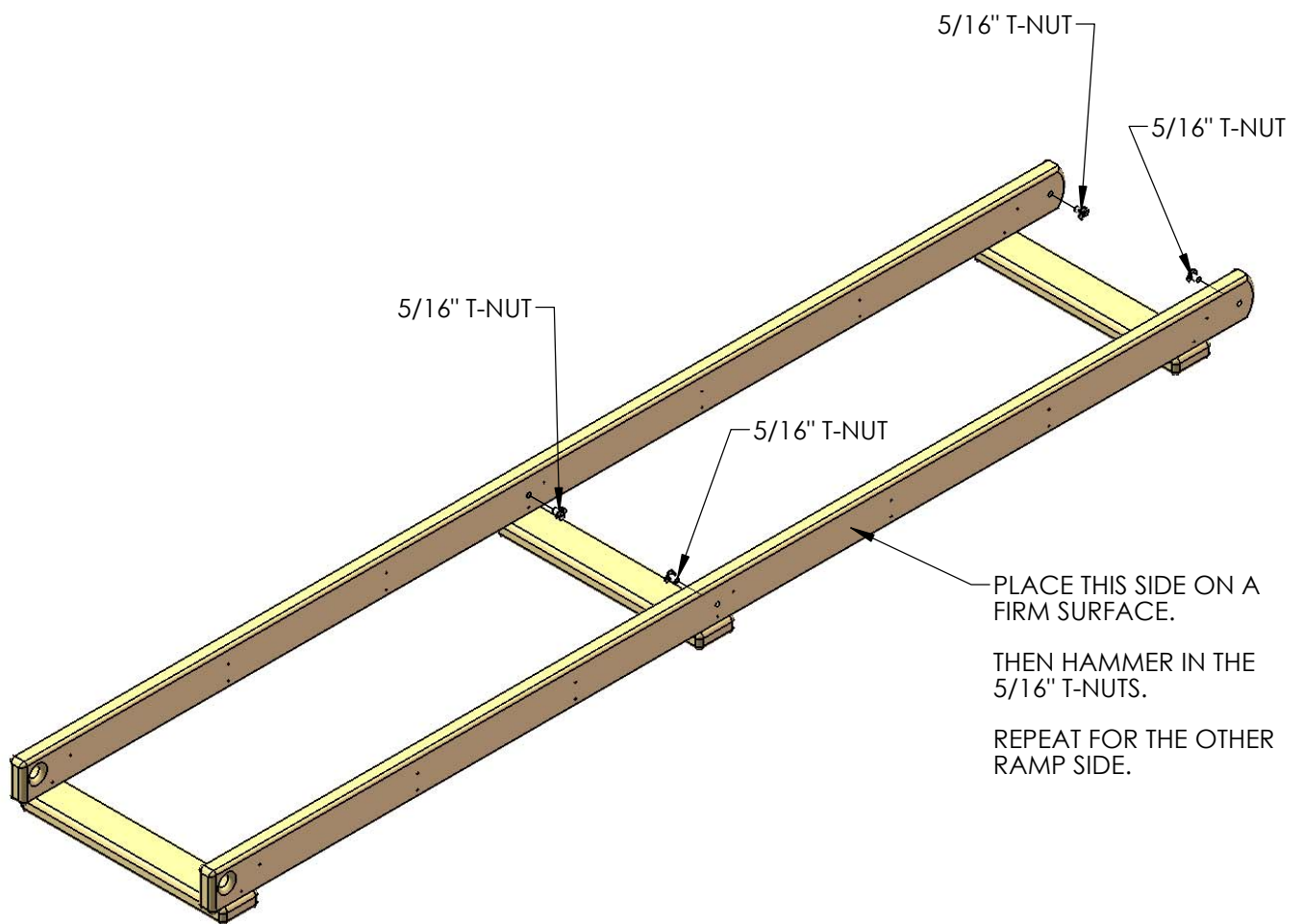
NOTE: CLIMBING RAMP TO BE INSTALLED INSTEAD OF LADDER ON THIS MODEL. THE LADDER PARTS ARE INCLUDED IN THE PACKAGE BUT ARE **NOT** USED.



STEP 16A: CLIMBING RAMP

1: PLACE THE RAMP SIDE ON A FIRM LEVEL SURFACE. HAMMER A 5/16" T-NUT INTO EACH HOLE ON THE INSIDE OF THE RAMP SIDE.

2: REPEAT FOR THE OTHER RAMP SIDE.

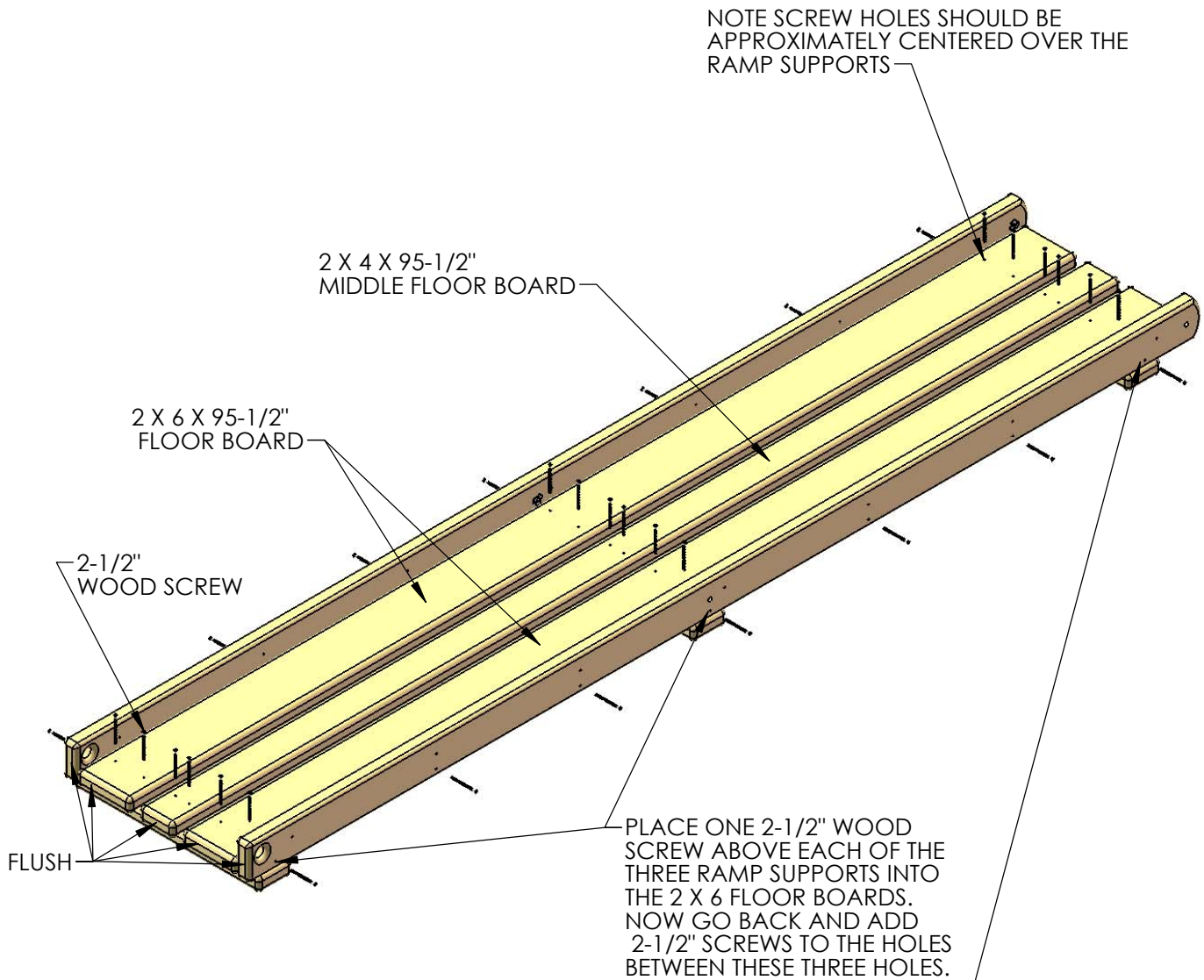


STEP 17: CLIMBING RAMP

1: PLACE ONE 2 X 6 X 95-1/2" FLOOR BOARD AGAINST EACH OF THE RAMP SIDE BOARDS. FASTEN THE FLOOR BOARDS TO THE RAMP SUPPORT BOARDS WITH TWO 2-1/2" WOOD SCREWS PER SUPPORT. THE BOARDS SHOULD BE FLUSH AT THE SQUARE END OF THE RAMP SIDES.

2: PLACE THE 2 X 4 X 95-1/2" MIDDLE FLOOR BOARD ON THE CENTER OF THE RAMP. FASTEN THE FLOOR BOARD TO THE RAMP SUPPORT BOARDS WITH TWO 2-1/2" WOOD SCREWS PER RAMP SUPPORT.

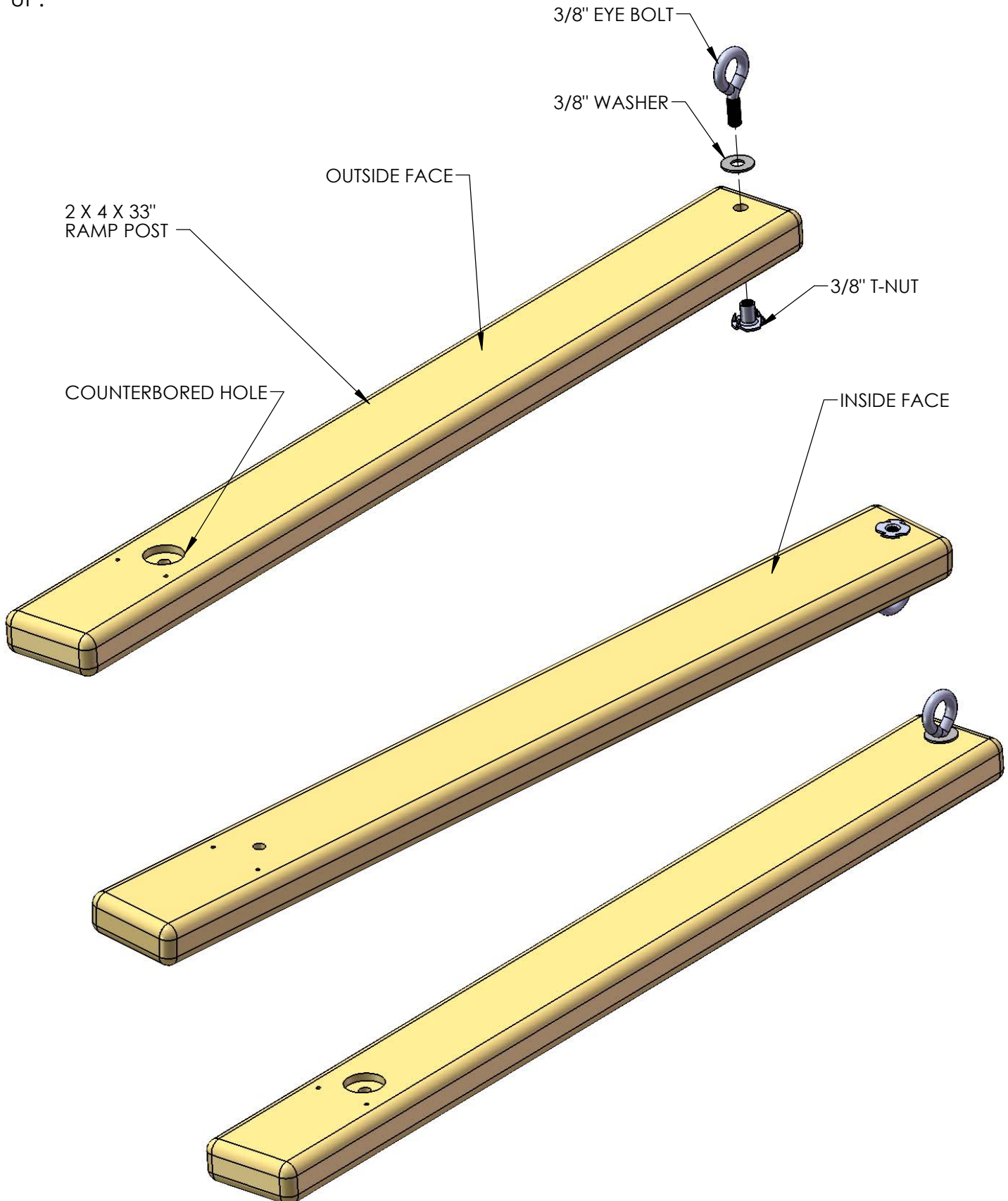
3: ABOVE EACH OF THE RAMP SUPPORTS PLACE ONE 2-1/2" WOOD SCREW THROUGH THE RAMP SIDE BOARDS INTO THE 2 X 6 FLOOR BOARDS. BETWEEN EACH RAMP SUPPORT, INSTALL TWO MORE 2-1/2" WOOD SCREWS THROUGH THE RAMP SIDE INTO THE FLOOR BOARD.



STEP 17A: CLIMBING RAMP

1: HAMMER A 3/8" T-NUT INTO THE INSIDE OF EACH POST. NOTE THIS IS THE SIDE OF THE POST THAT DOES NOT HAVE THE COUNTERBORED HOLE.

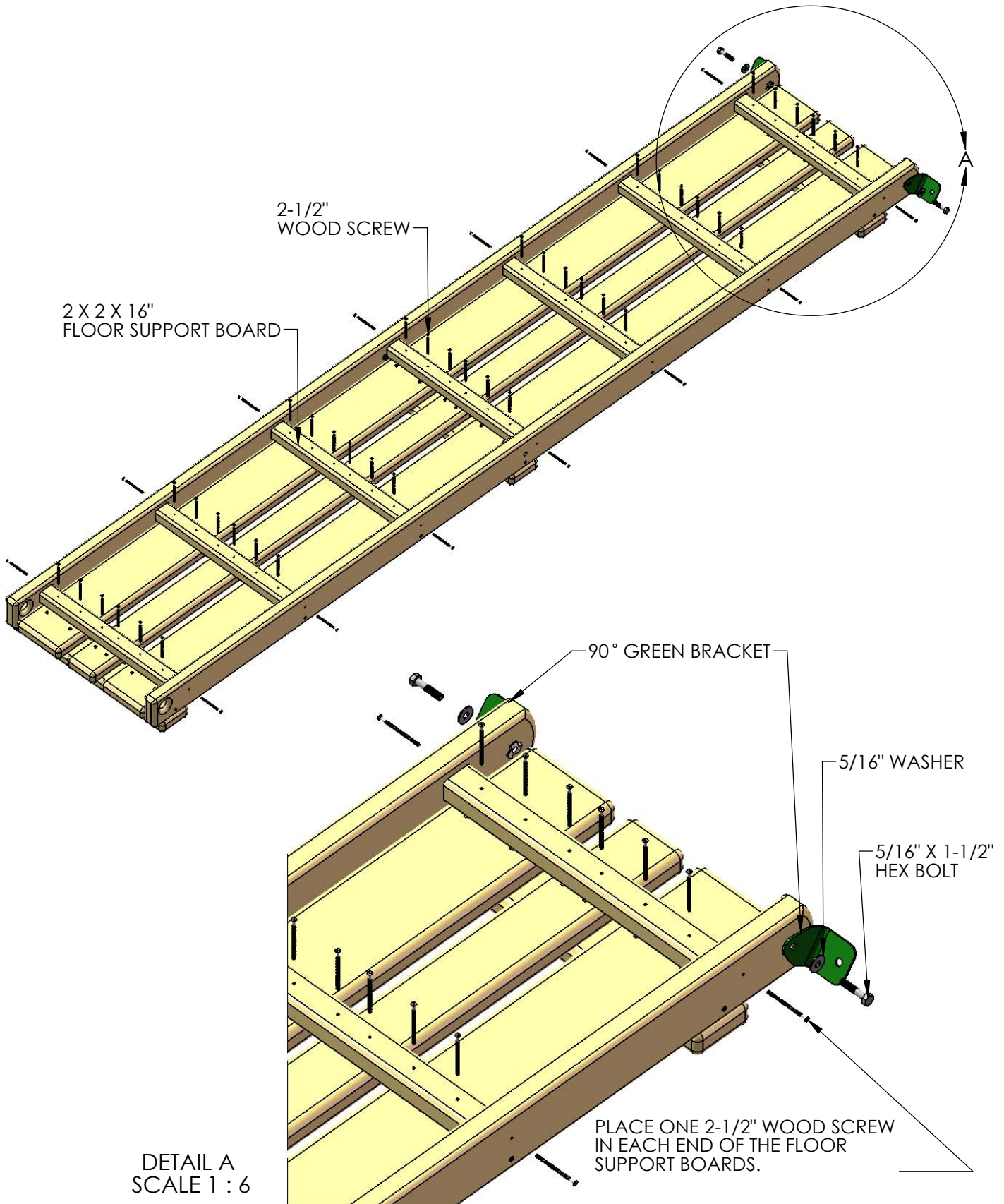
2: SCREW A 3/8" EYE BOLT WITH A WASHER INTO THE T-NUT SO IT LOOKS LIKE THE BOTTOM PICTURE. DO NOT TIGHTEN THE EYE BOLT SO TIGHTLY THAT IT CRACKS THE WOOD. JUST SNUG IT UP.



STEP 18: CLIMBING RAMP

1: ATTACH THE 2 X 2 X 16" FLOOR SUPPORT BOARDS TO THE FLOOR BOARDS WITH 2-1/2" WOOD SCREWS. (SEE DETAIL VIEW BELOW)

2: FASTEN THE 90° GREEN BRACKET TO THE RAMP SIDES WITH 5/16 X 1-1/2" HEX BOLTS AND 5/16" WASHERS.

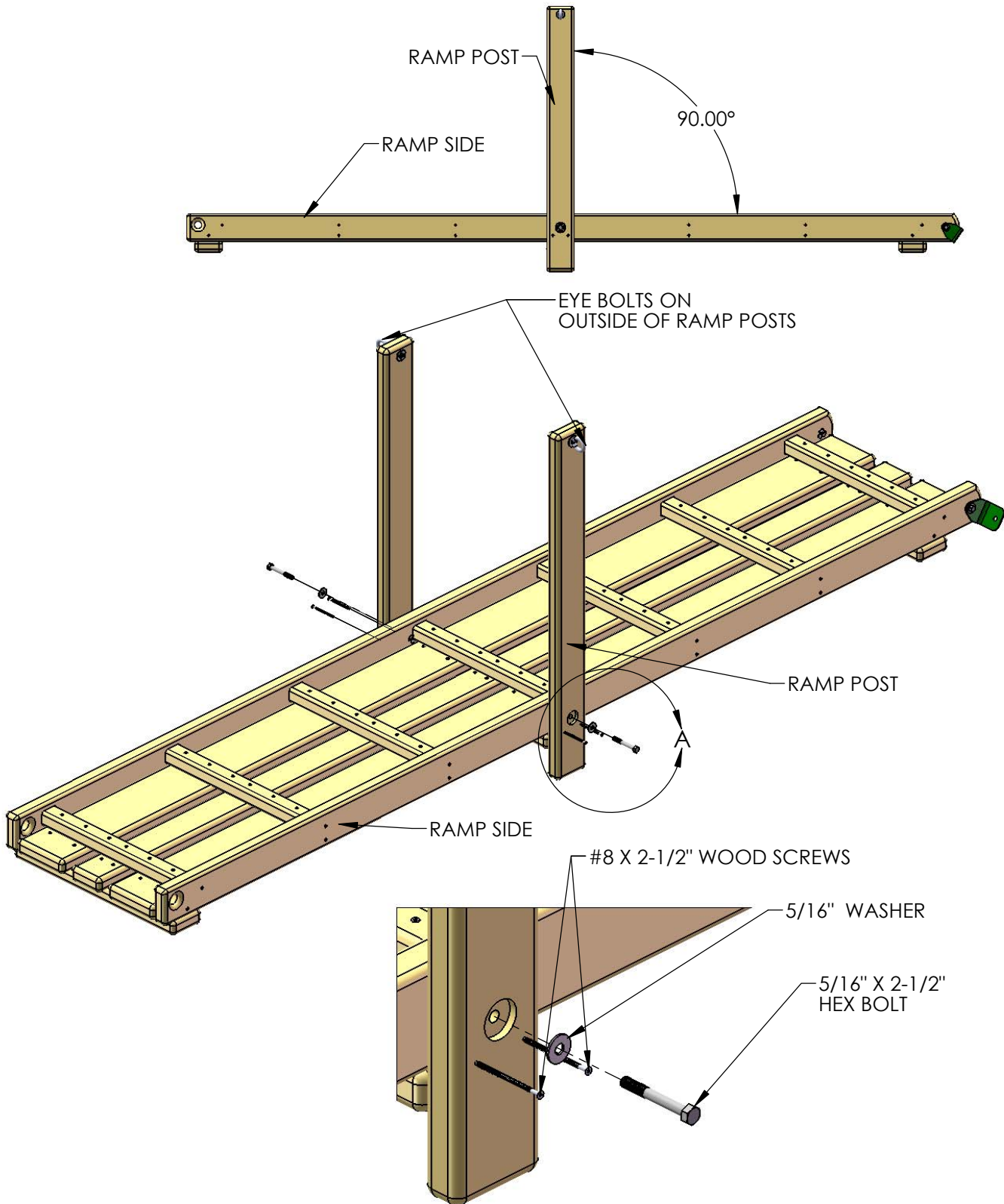


DETAIL A
SCALE 1 : 6

STEP 18A: CLIMBING RAMP

1: ATTACH A RAMP POST TO EACH RAMP SIDE WITH 5/16" X 2-1/2" HEX BOLTS AND 5/16" WASHERS. THE EYE BOLTS SHOULD BE ON THE OUTSIDE OF THE RAMP POSTS

2: SQUARE THE RAMP POST TO THE RAMP SIDE AND DRIVE IN TWO 2-1/2" WOOD SCREWS TO SECURE IT.



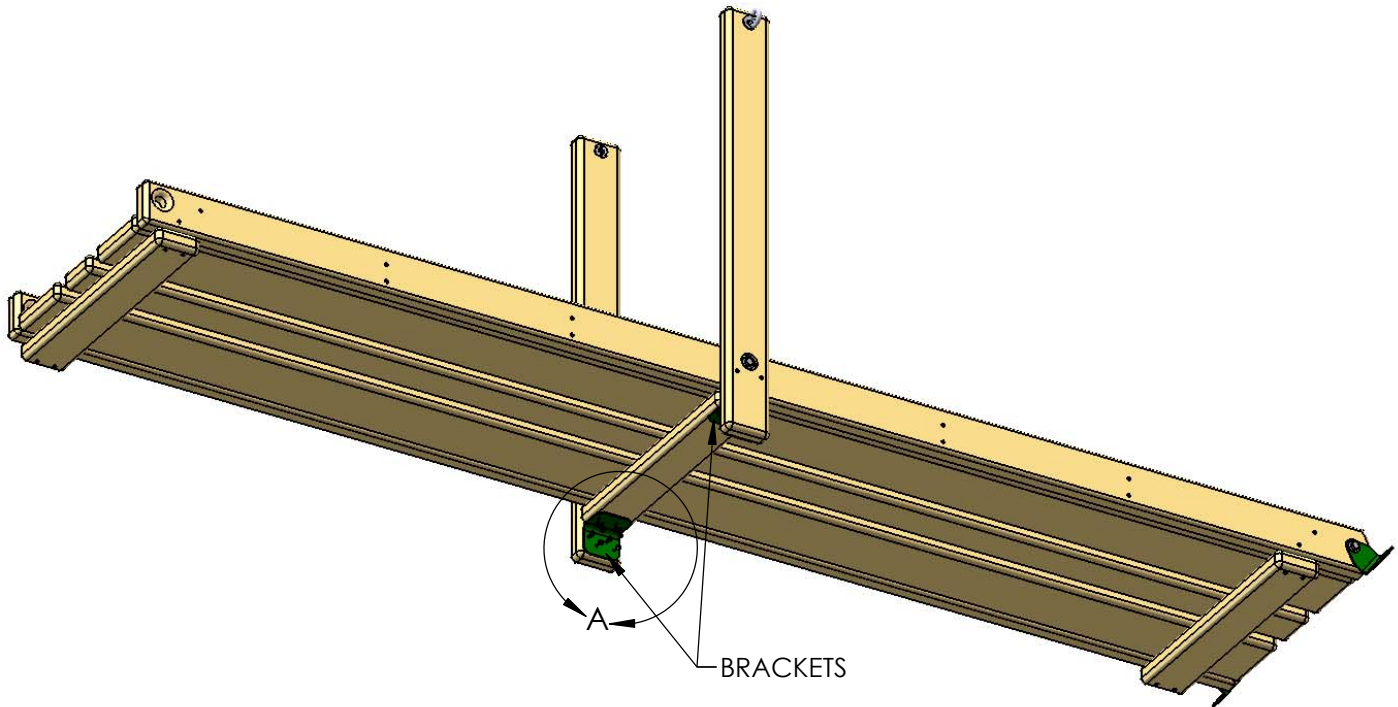
DETAIL A
SCALE 1 : 4

STEP 18B: CLIMBING RAMP

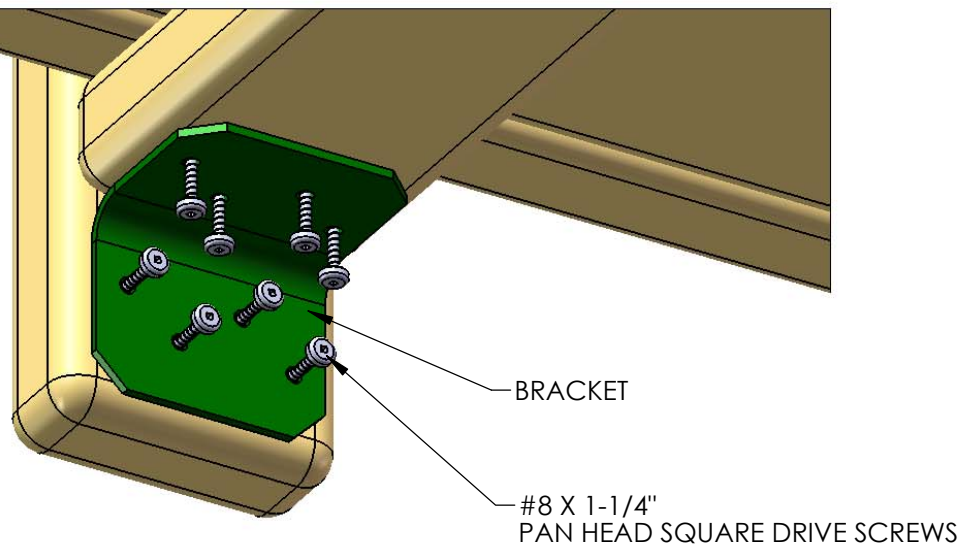
1: FASTEN A BRACKET AS SHOWN UNDERNEATH THE RAMP TO THE RAMP POST AND THE RAMP SUPPORT.

2: USE #8 X 1-1/4" PAN HEAD SQUARE DRIVE SCREWS TO ATTACH THE BRACKET.

3: REPEAT FOR THE RAMP POST ON THE OTHER SIDE.

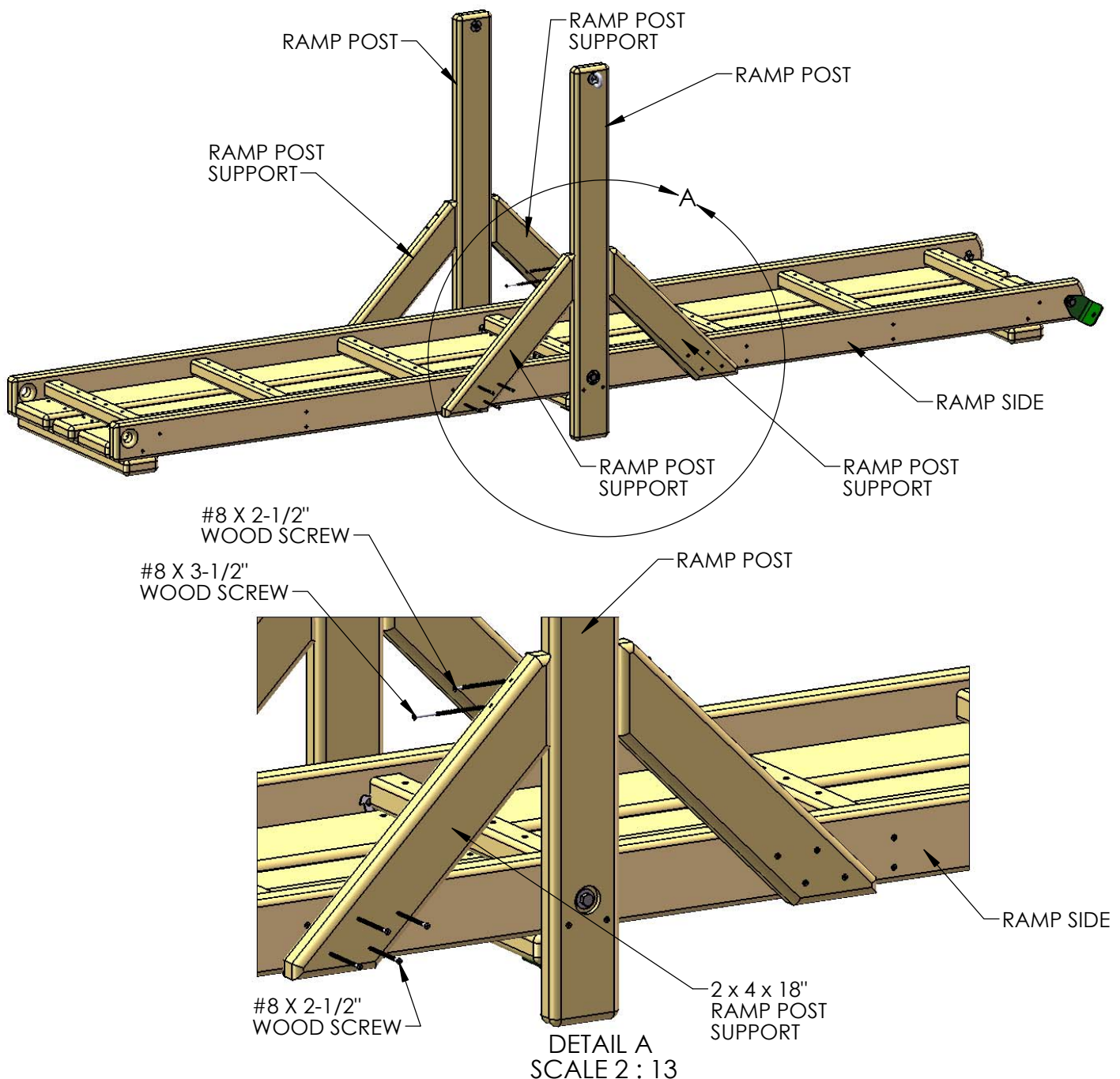


DETAIL A
SCALE 1 : 2



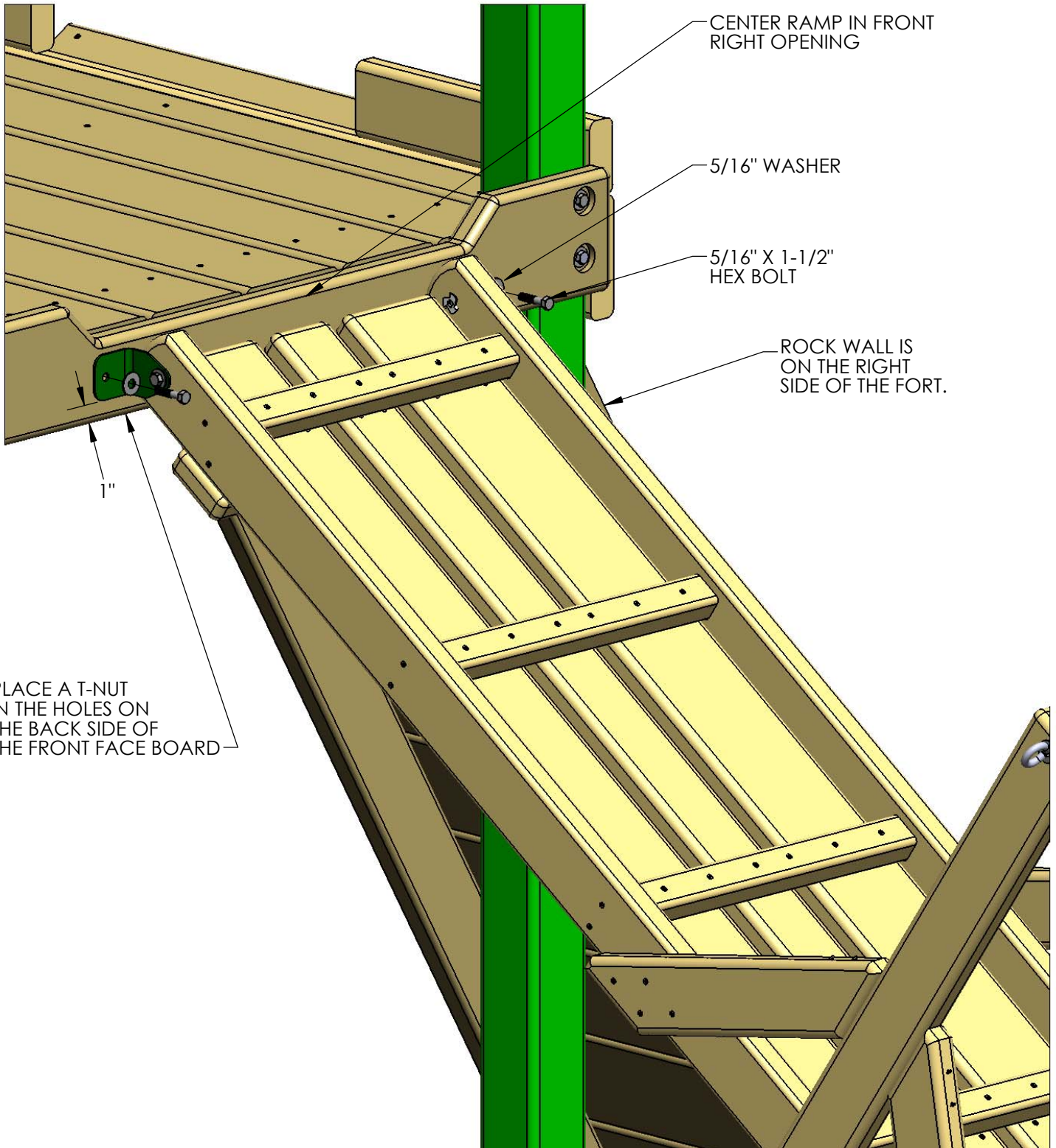
STEP 18C: CLIMBING RAMP

- 1: LOCATE FOUR 2 X 4 X 18" RAMP POST SUPPORTS.
- 2: PLACE A RAMP POST SUPPORT AGAINST THE RAMP POST AND THE RAMP SIDE AS SHOWN BELOW.
- 3: THE BOTTOM OF THE RAMP POST SUPPORT SHOULD BE FLUSH TO THE BOTTOM OF THE RAMP SIDE. THE TOP-END OF THE RAMP POST SUPPORT SHOULD BE FLUSH TO THE SIDE OF THE RAMP POST.
- 4: ATTACH THE TOP OF THE RAMP POST SUPPORT TO THE RAMP POST WITH ONE #8 X 2-1/2" WOOD SCREW AND ONE #8 X 3-1/2" WOOD SCREW.
- 5: ATTACH THE BOTTOM OF THE RAMP POST SUPPORT TO THE RAMP SIDE WITH FOUR #8 X 2-1/2" WOOD SCREWS.
- 6: REPEAT SUBSTEPS 2 TO 5 FOR THE REMAINING RAMP POST SUPPORTS.



STEP 19: CLIMBING RAMP TO FORT

- 1: PLACE THE CLIMBING RAMP INTO POSITION CENTERED IN THE FRONT RIGHT OPENING ON THE FORT. USING THE RAMP BRACKETS AS A TEMPLATE DRILL A 3/8" HOLE THROUGH THE FRONT FACE BOARD.
- 2: FROM THE UNDERSIDE OF THE DECK INSERT A T-NUT INTO THE BACKSIDE OF THE 3/8" HOLES IN THE FRONT FACE BOARD.
- 3: ATTACH THE CLIMBING RAMP WITH 5/16 X 1-1/2" HEX BOLTS AND 5/16" WASHERS.
- 4: WHEN THE 90° BRACKETS ARE SECURE, AND THE RAMP IS IN ITS FINAL POSITION; TIGHTEN THE 5/16 X 1-1/2" BOLTS ON THE RAMP SIDES.



STEP 19A: ROPE MOUNT

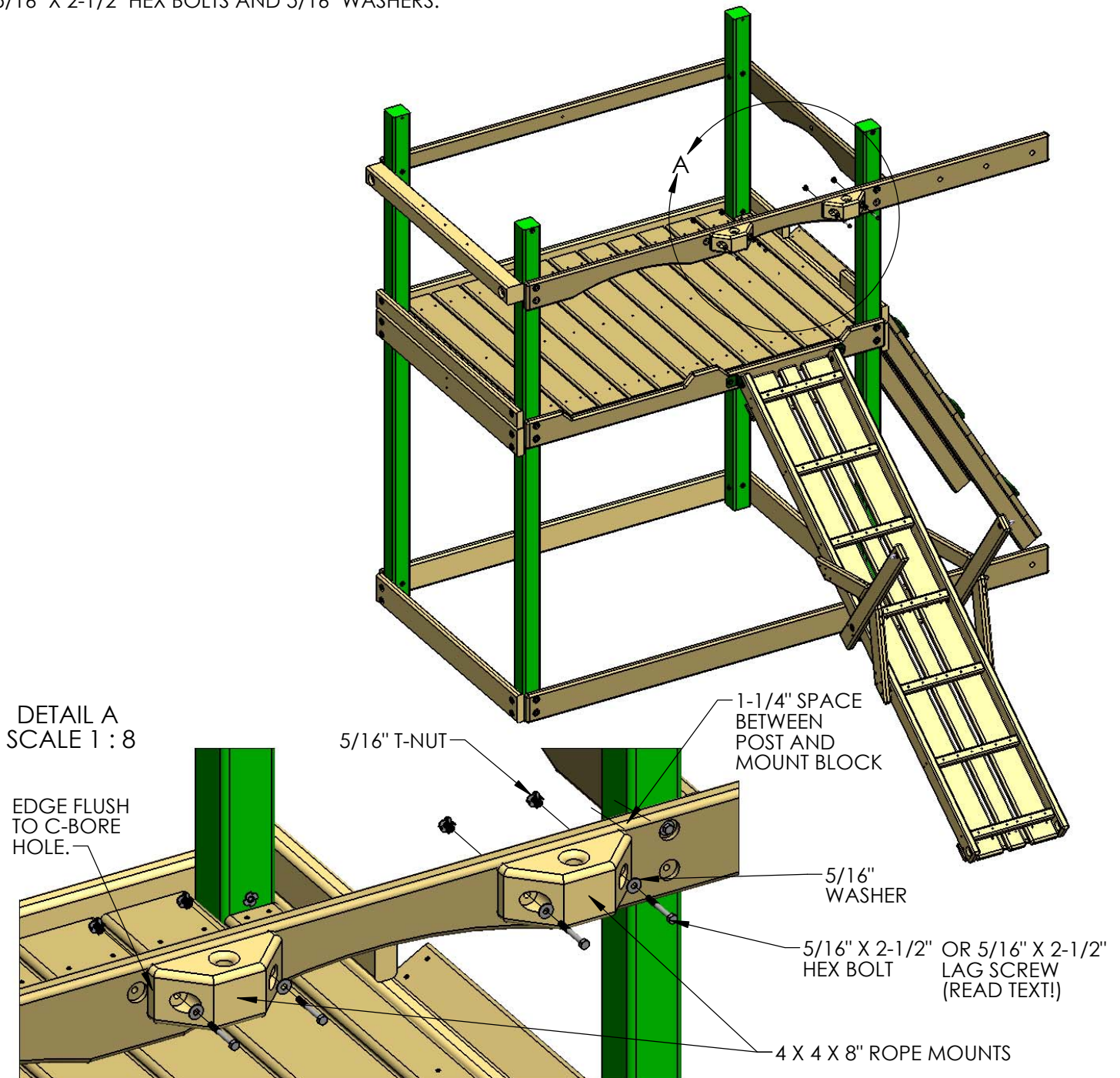
1: PLACE THE 4 X 4 X 8" ROPE MOUNTS ONTO THE FRONT OF THE ROPE LADDER SUPPORT. THE LEFT ONE SHOULD BE EVEN WITH THE EDGE OF THE COUNTERBORED HOLE. THE RIGHT ONE SHOULD BE 1-1/4" AWAY FROM THE RIGHT CORNER POST.

YOU MAY CHOOSE TO USE 5/16" X 2-1/2" LAG SCREWS WITH WASHERS OR T-NUTS WITH BOLTS TO ATTACH THE ROPE BLOCKS. IF YOU USE LAG SCREWS THEN CONTINUE READING BELOW. IF YOU USE BOLTS THEN GO TO 2 BELOW.

IF YOU CHOOSE THE LAG SCREW METHOD THEN PRE-DRILL 9/64" HOLES BY 1" DEEP USING THE ROPE MOUNT HOLES AS A GUIDE. THEN ATTACH THE MOUNTS WITH 5/16" X 2-1/2" LAG SCREWS WITH WASHERS. DO NOT OVER-TIGHTEN.

2: USE THE HOLES AS A GUIDE TO DRILL 3/8" DIAMETER HOLES THROUGH THE ROPE LADDER SUPPORT. DRILL CAREFULLY SO YOU DO NOT SPLINTER THE WOOD AS THE DRILL BIT EXITS THE OTHER SIDE. YOU MAY PLACE A SCRAP BLOCK OF WOOD ON THE BACK SIDE OF WHERE YOU ARE DRILLING TO PREVENT SPLINTERING, **BUT DO NOT PLACE YOUR HAND NEAR THE DRILLING AREA.**

3: HAMMER IN 5/16" T-NUTS INTO THE BACK SIDE OF THE HOLES AS SHOWN. NOW ATTACH THE ROPE MOUNTS WITH 5/16" X 2-1/2" HEX BOLTS AND 5/16" WASHERS.



STEP 19B: RAMP ROPE HANDRAILS

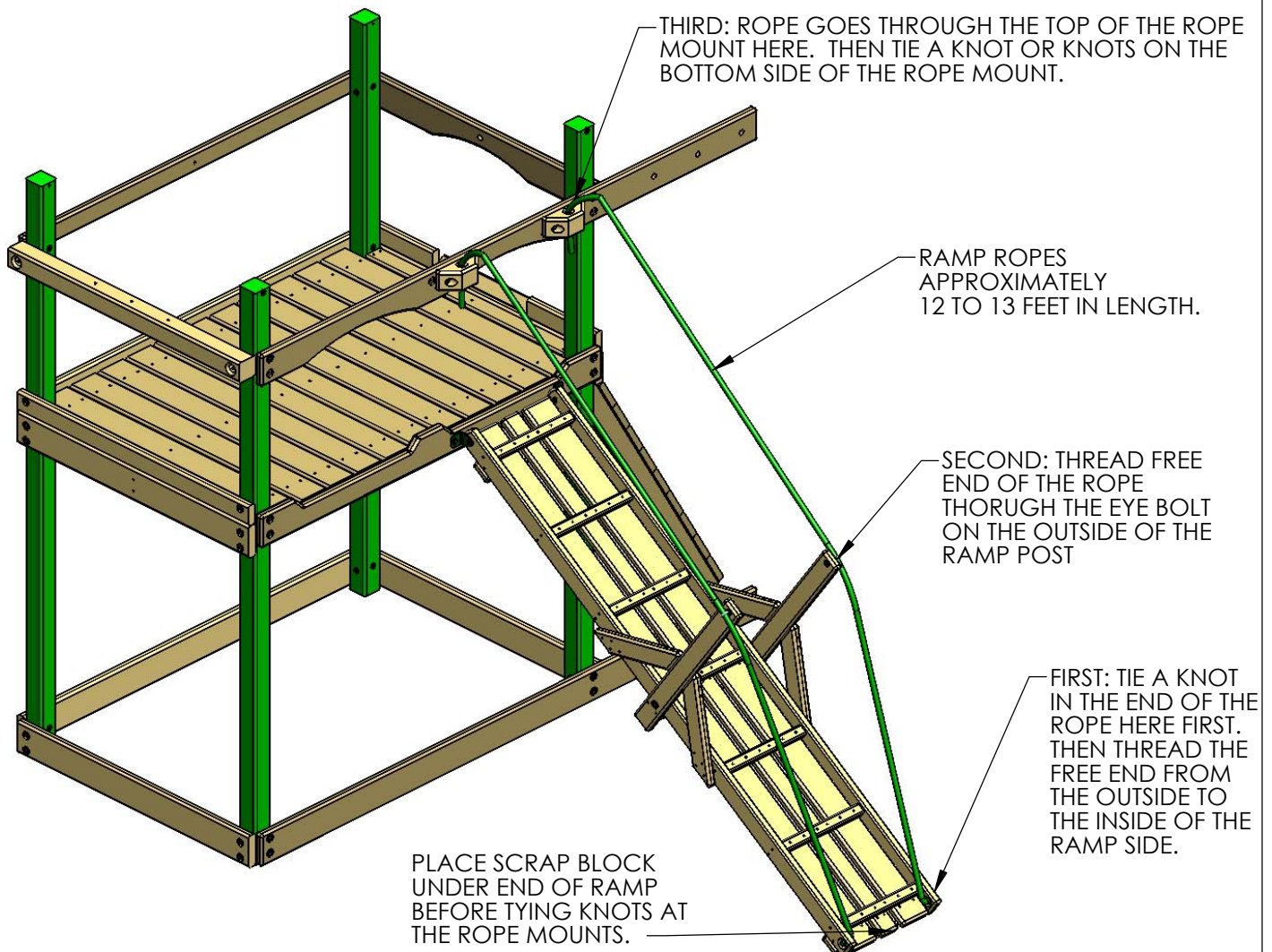
1: LOCATE THE RAMP ROPES THAT ARE IDENTICAL IN LENGTH. THEY SHOULD BE APPROXIMATELY 12 TO 13 FEET IN LENGTH. IF YOU HAVE FIVE 13 FOOT ROPES THAT IS FINE, HOWEVER IF TWO ARE 12 FEET THEN USE THEM.

2: TIE A KNOT IN ONE END OF A ROPE WITH THE END HANGING OUT ABOUT 2" FROM THE END OF THE KNOT. THREAD THE OTHER END OF THE ROPE THROUGH THE OUTSIDE OF THE RAMP SIDE. NOW THREAD IT THROUGH THE EYE BOLT. NOW THREAD IT THROUGH THE HOLE IN THE ROPE MOUNT ON THE ROPE LADDER SUPPORT. REPEAT THIS PROCESS FOR THE OTHER ROPE ON THE OTHER SIDE OF THE RAMP

3: TO MAKE THE ROPE TIGHT PLACE A SCRAP BLOCK AROUND 4" THICK UNDER THE BOTTOM END OF THE RAMP TO ELEVATE IT. NOW TIE A KNOT IN THE END OF THE ROPES AT THE ROPE MOUNTS. REMOVE THE 4" SCRAP BLOCK FROM UNDER THE END OF THE RAMP. THE ROPES SHOULD TIGHTEN AND THE RAMP SHOULD BE ON THE GROUND. IF THE RAMP IS ELEVATED OFF THE GROUND THEN YOU SHOULD PUT A SMALLER BLOCK UNDER THE END OF THE RAMP AND THEN RETIE THE ENDS NEAR THE ROPE MOUNTS.

4: IF THERE IS ANY EXTRA LENGTH OF ROPE AT THE ROPE MOUNTS THEN TIE AN ADDITIONAL KNOT IN THE EXTRA LENGTH IF POSSIBLE.

****SAFETY CHECK**** - STAND ON THE END OF THE RAMP AT GROUND LEVEL WITH YOUR WEIGHT ON THE RAMP. GRAB EACH ROPE AND ATTEMPT TO WRAP THEM AROUND YOUR HAND. IF EITHER ROPE WRAPS AROUND YOUR HAND THEN IT IS TOO LOOSE, UNTIE THE ROPE AT THE ROPE MOUNT AND RETIE IT UNTIL IT NO LONGER WRAPS AROUND YOUR HAND.



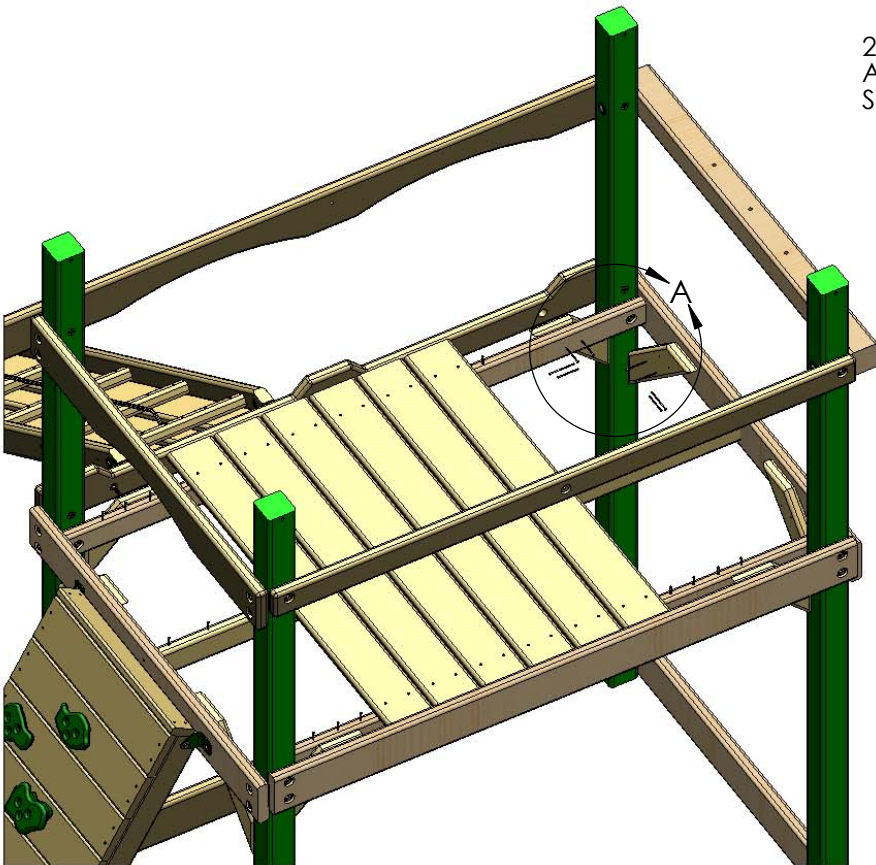
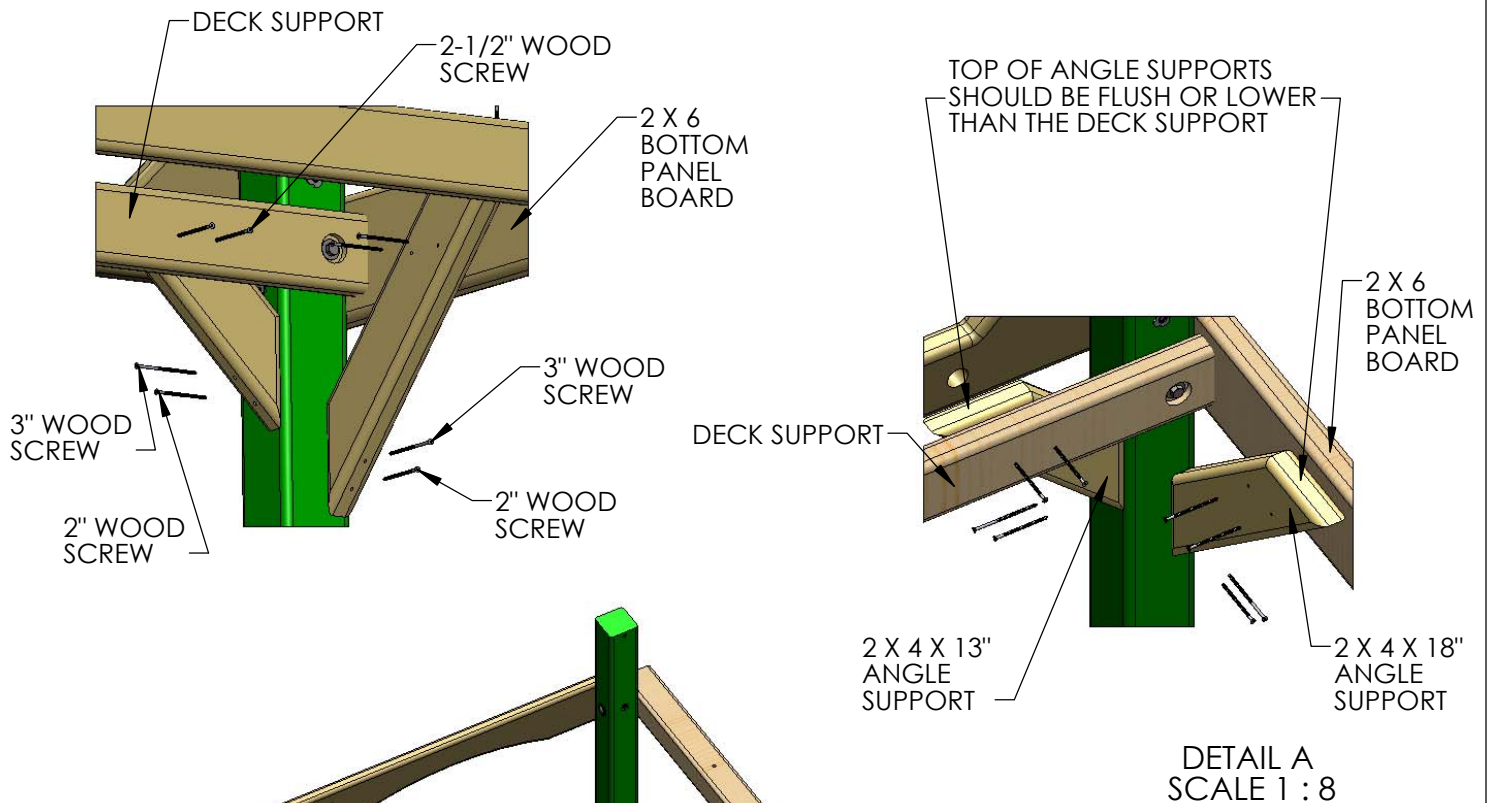
STEP 20: ANGLE SUPPORTS

1: FOUR 2 X 4 X 18" ANGLE SUPPORTS ARE MOUNTED UNDER THE DECK ON THE LEFT AND RIGHT SIDES OF THE PLAY SET TO THE 2 X 6 BOTTOM PANEL BOARD. THE TOP OF THE ANGLE SUPPORT SHOULD BE FLUSH OR LOWER THAN THE TOP OF THE DECK SUPPORT.

2: AT THE TOP USE 2-1/2" WOOD SCREWS THROUGH THE ANGLE SUPPORT INTO THE BOTTOM PANEL BOARD. AT THE BOTTOM USE ONE 2" WOOD SCREW AND ONE 3" WOOD SCREW TO FASTEN THE ANGLE SUPPORT TO THE CORNER POST.

3: FOUR 2 X 4 X 13" ANGLE SUPPORTS ARE MOUNTED UNDER THE DECK ON THE FRONT AND REAR OF THE PLAY SET TO THE 2 X 4 DECK SUPPORTS. THE TOP OF THE ANGLE SUPPORT SHOULD BE FLUSH OR LOWER THAN THE TOP OF THE DECK SUPPORT.

4: AT THE TOP USE 2-1/2" WOOD SCREWS THROUGH THE ANGLE SUPPORT INTO THE BOTTOM PANEL BOARD. AT THE BOTTOM USE ONE 2" WOOD SCREW AND ONE 3" WOOD SCREW TO FASTEN THE ANGLE SUPPORT TO THE CORNER POST.



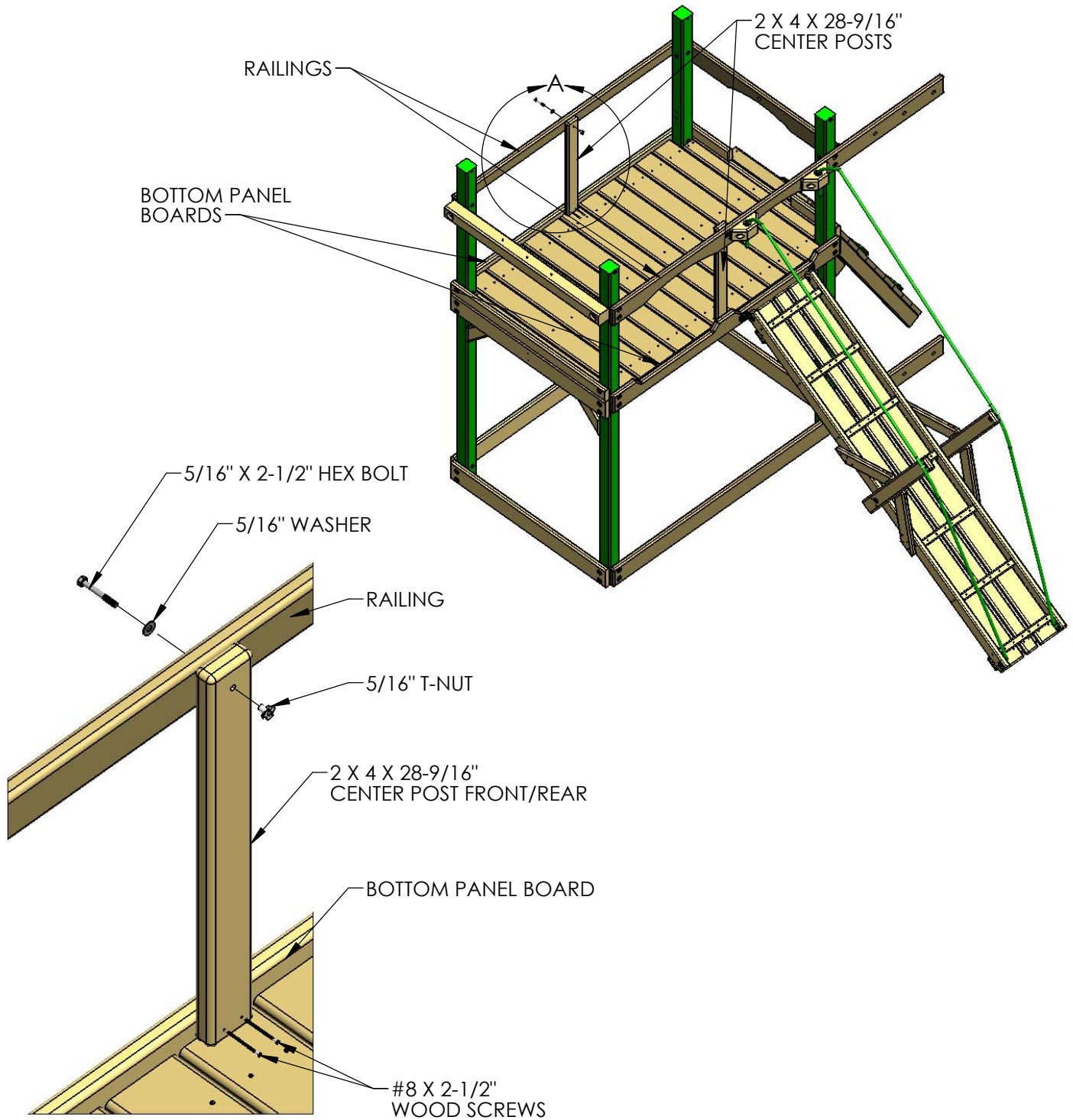
STEP 21: CENTER POST FRONT/REAR

1: HAMMER A T-NUT INTO THE HOLE OF EACH 2 X 4 X 28-9/16" CENTER POST FRONT/REAR.

2: PLACE THE CENTER POSTS INSIDE THE RAILINGS AT THE FRONT AND REAR OF THE PLAYSET. LINE UP THE HOLES IN THE CENTER POSTS WITH THE HOLES IN THE RAILINGS.

3: FASTEN THE CENTER POSTS TO THE RAILINGS WITH 5/16" X 2-1/2" HEX BOLTS AND 5/16" WASHERS AT THE TOP.

4: SQUARE EACH CENTER POST TO THE DECK AND SECURE THE BOTTOM OF THE CENTER POST TO THE BOTTOM PANEL BOARDS WITH #8 X 2-1/2" WOOD SCREWS.

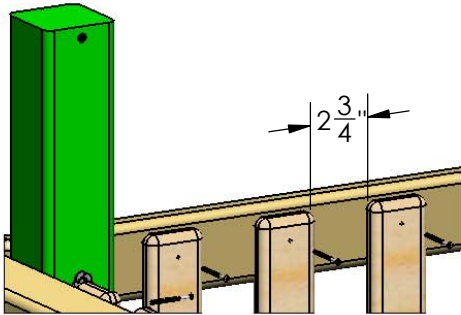


DETAIL A
SCALE 1 : 8

STEP 22: PANEL SLATS

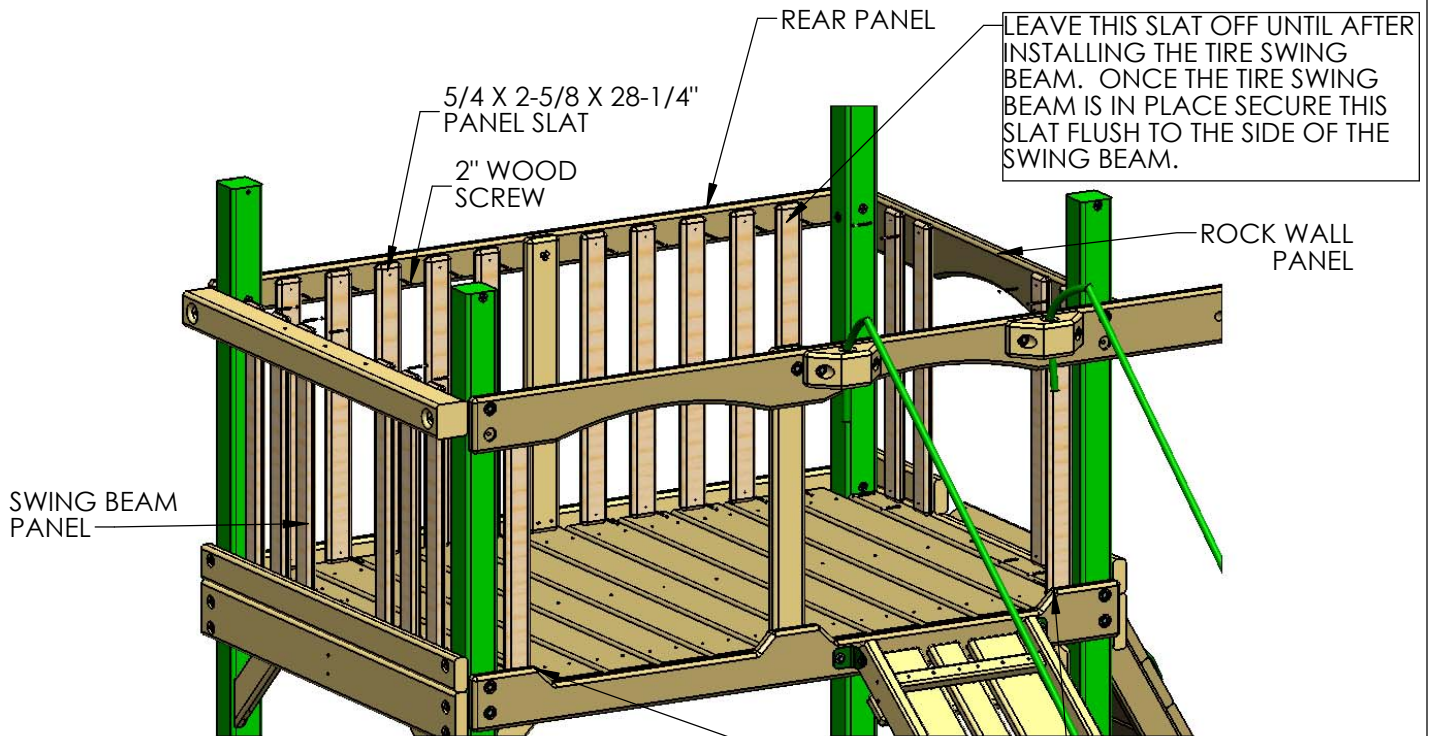
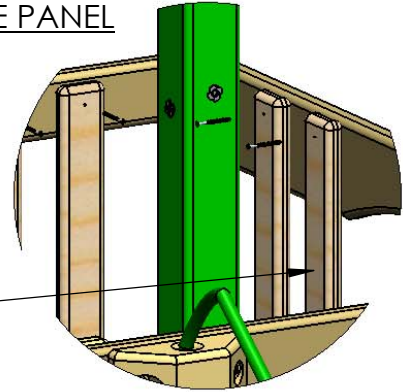
- 1: FIND TWENTY-TWO 5/4 X 2-5/8 X 28-1/4" PANEL SLATS.
- 2: PRE-DRILL THE SLATS 1" FROM EACH END ON CENTER WITH A 1/8" DRILL BIT.
- 3: INSTALL THE PANEL SLATS AT EQUAL LENGTHS. SEE DETAIL BELOW FOR MEASUREMENTS.
- 4: ATTACH THE PANEL SLATS TO THE FORT WITH 2" WOOD SCREWS IN THE PRE-DRILLED HOLES.

REAR PANEL SLAT SPACING



ROCK WALL SIDE PANEL

MAKE THIS SLAT FLUSH TO THE END OF THE 2 X 4 X 14" BOTTOM PANEL BOARD. SPACE THE NEXT SLAT EQUALLY BETWEEN THE FIRST SLAT AND THE CORNER POST.



LEAVE THIS SLAT OFF UNTIL AFTER INSTALLING THE TIRE SWING BEAM. ONCE THE TIRE SWING BEAM IS IN PLACE SECURE THIS SLAT FLUSH TO THE SIDE OF THE SWING BEAM.

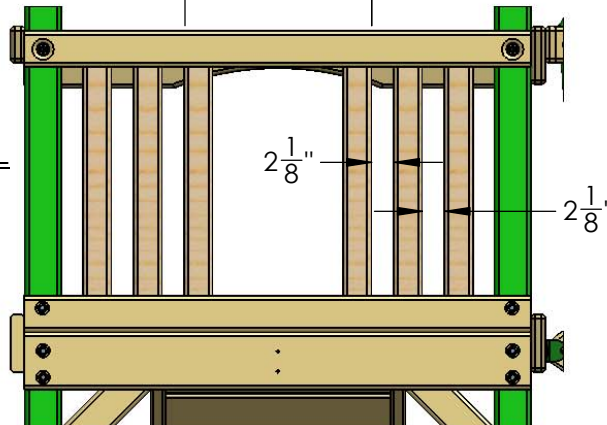
SWING BEAM PANEL

ROCK WALL PANEL

17 1/2" 11 9/16"

FRONT PANEL SLATS ARE INSTALLED FLUSH TO THE NOTCH ON THE FRONT FACE BOARD.

SWING BEAM PANEL
SLAT DIMENSIONS
(VIEW FROM OUTSIDE
THE PLAY SET.)



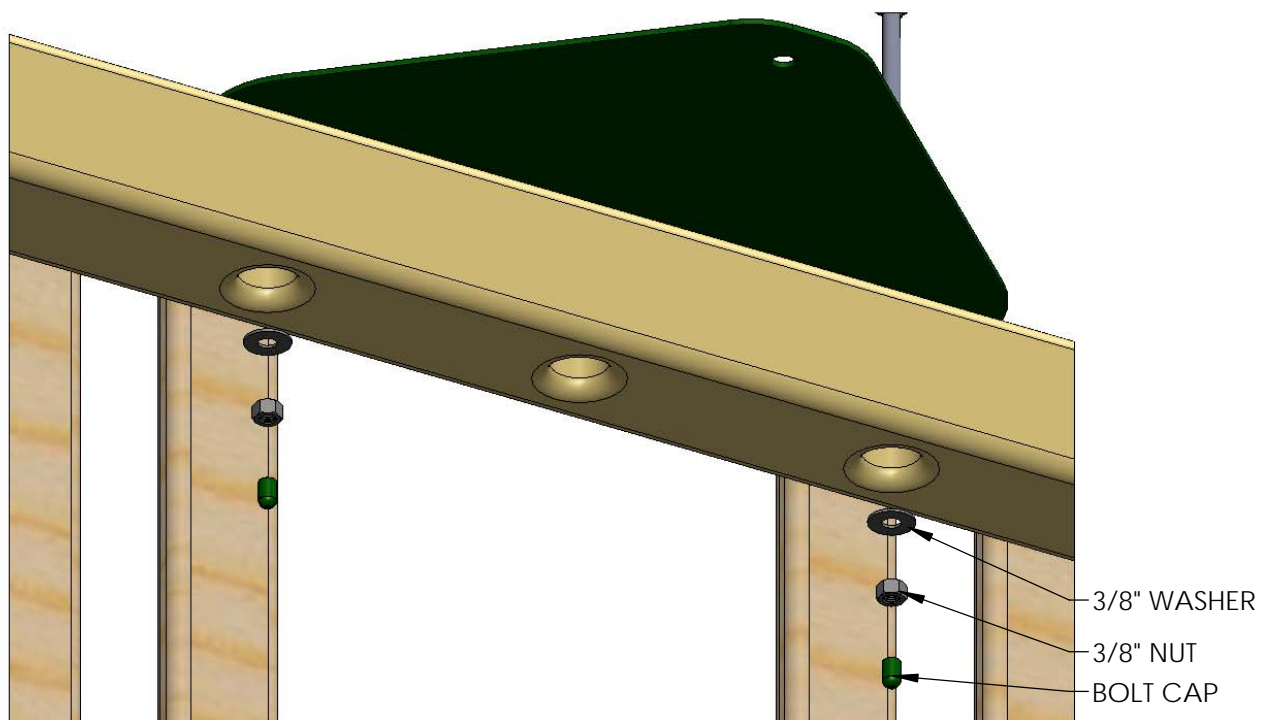
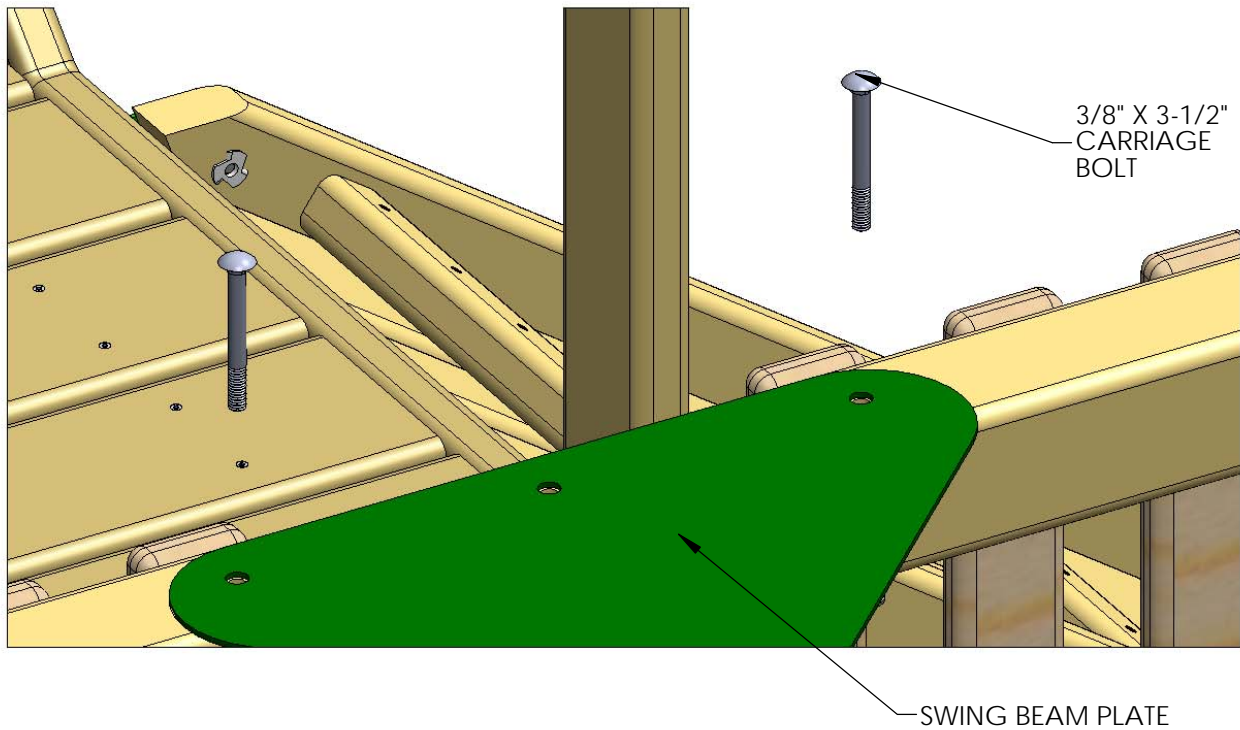
STEP 2' : SWING BEAM PLATE

1: PLACE THE SWING BEAM PLATE ON TOP OF THE SWING BEAM SUPPORT, LINING UP THE PILOT HOLES.

2: FASTEN THE SWING BEAM PLATE TO THE SWING BEAM SUPPORT USING 3-1/2" CARRIAGE BOLTS ON TOP, AND 3/8" LOCK NUTS WITH 3/8" WASHERS FROM UNDERNEATH, IN THE COUNTER-SUNK HOLES OF THE SWING BEAM SUPPORT. USE BOLT CAPS TO COVER ANY EXPOSED THREADS.

3: LEAVE THE MIDDLE HOLE EMPTY, IT WILL BE USED LATER.

4: IF NECESSARY USE LOCKING PLIERS TO HOLD CARRIAGE BOLTS IN PLACE WHEN INSTALLING.

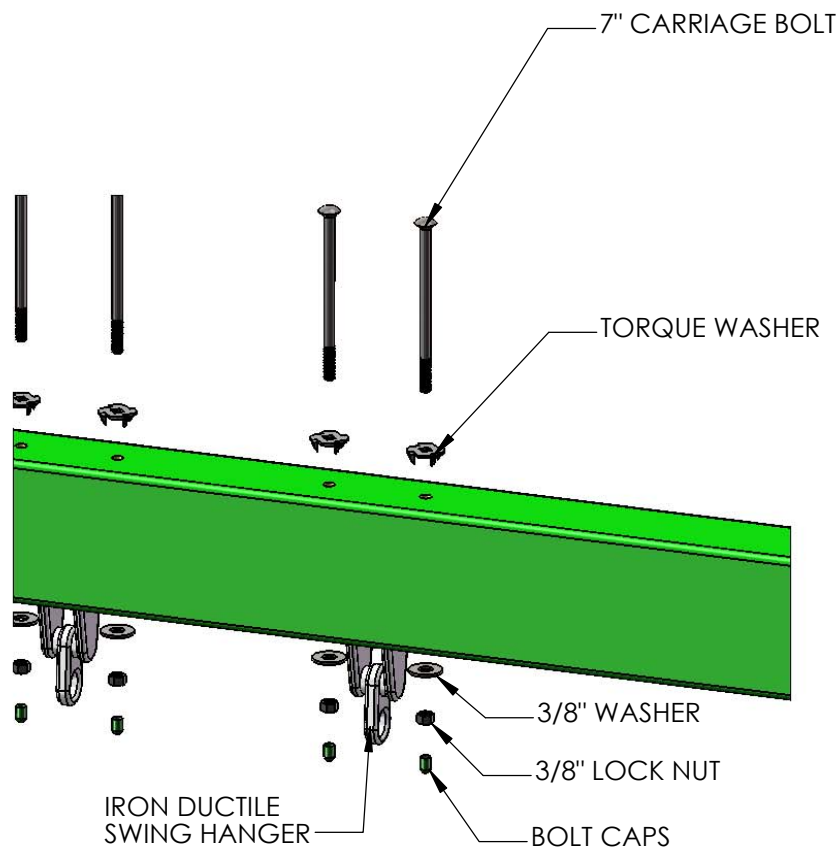
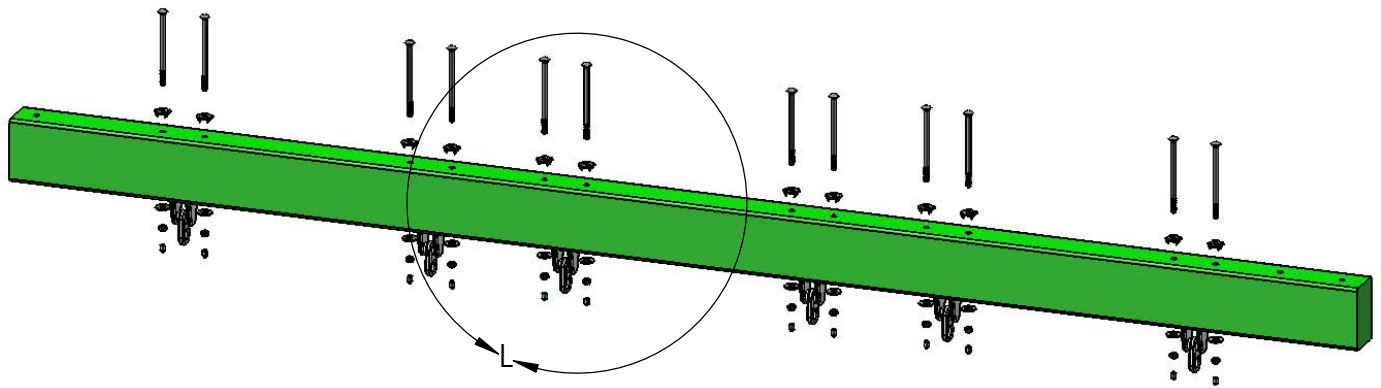


STEP 24: IRON DUCTILE SWING HANGERS

1: LINE UP THE HOLES OF THE IRON DUCTILE SWING HANGERS WITH THE HOLES IN THE SWING BEAM. IF YOUR BEAM IS BOWED SLIGHTLY PLACE THE BOW SIDE UP; THE SWING HANGERS WILL BE ON THE BOTTOM.

2: FASTEN EACH SWING HANGER TO THE SWING BEAM USING 7" CARRIAGE BOLTS WITH TORQUE WASHERS, AND 3/8" WASHERS WITH 3/8" LOCK NUTS.

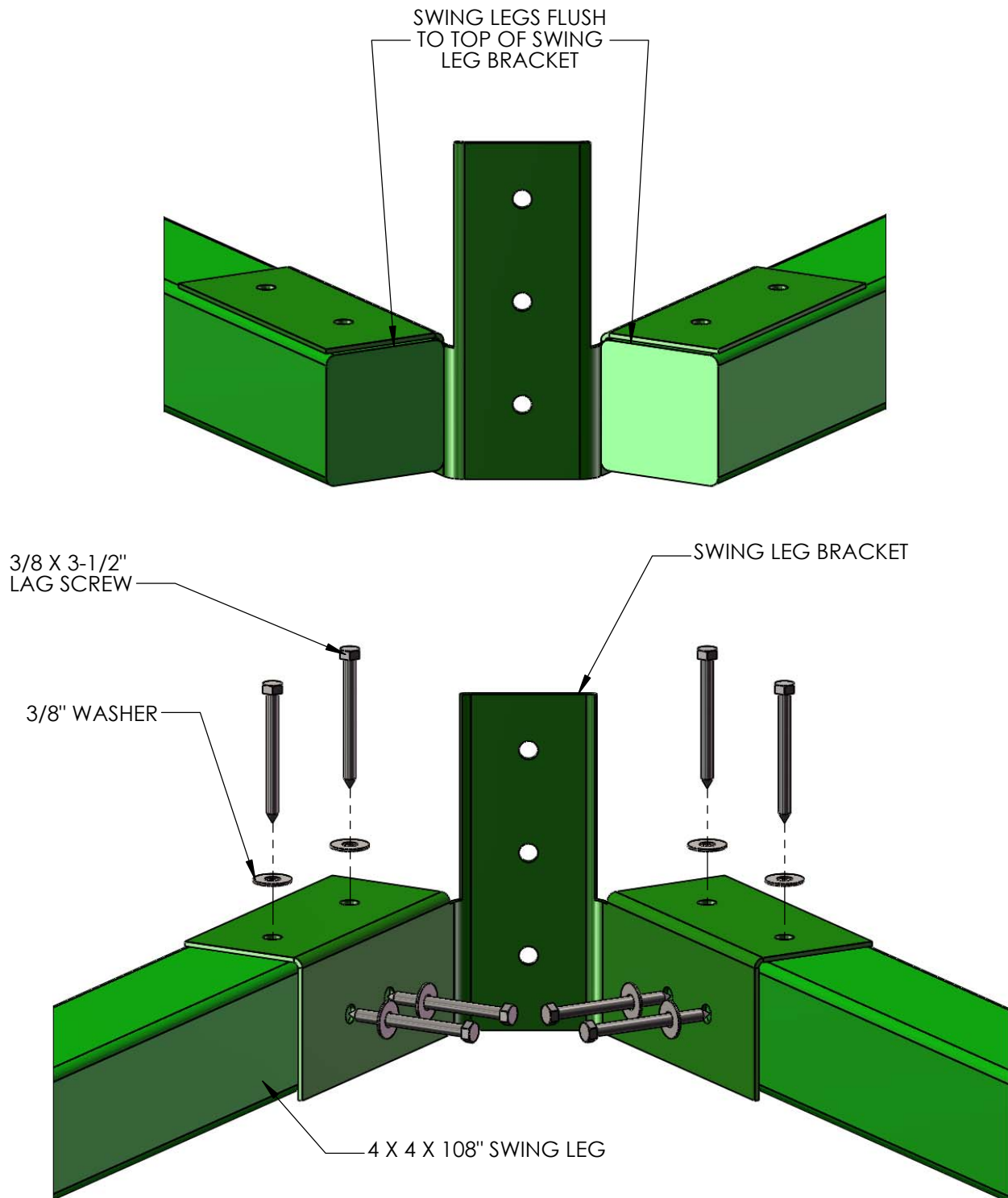
3: PLACE BOLT CAPS OVER EXPOSED THREADS.



STEP 25: ATTACH SWING LEGS TO BRACKET

1: PLACE THE 4 X 4 X 108" SWING LEGS FLUSH TO THE TOP OF THE SWING LEG BRACKET.

2: FASTEN THE SWING LEGS TO THE SWING LEG BRACKET WITH 3/8 X 3-1/2" LAG SCREWS AND 3/8" WASHERS.

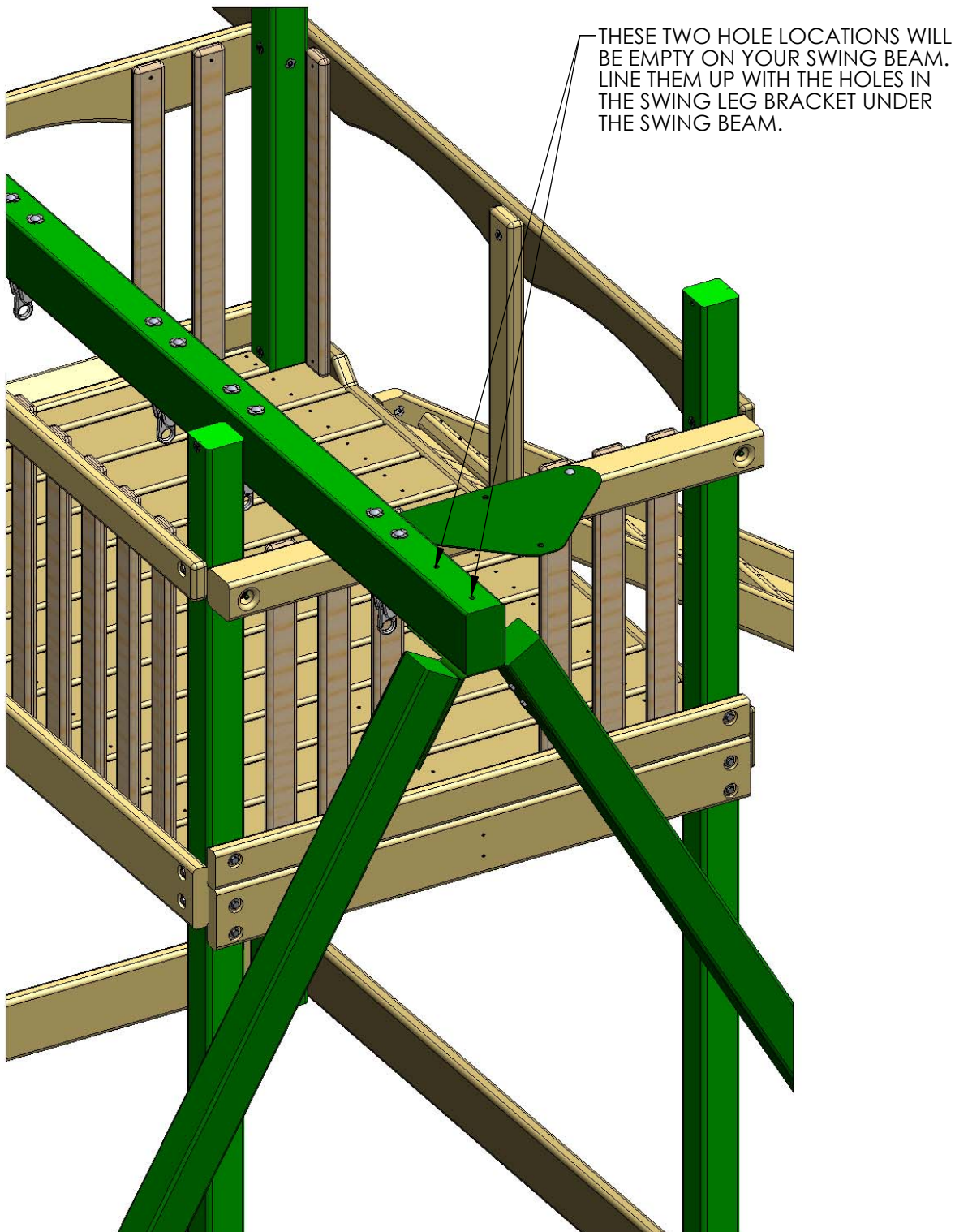


STEP 26: REST SWING BEAM ON FORT

*TWO PEOPLE ARE REQUIRED FOR THIS STEP

1: LAY THE SWING BEAM ACROSS THE TOP OF THE FORT RAILINGS. THE END OF THE SWING BEAM WITH TWO EMPTY HOLES SHOULD OVERHANG THE SIDE OF THE FORT WITH THE TRIANGULAR SWING BEAM PLATE.

2: SIT THE SWING BEAM LEGS UPRIGHT UNDER THE TWO EMPTY HOLES IN THE END OF THE SWING BEAM.

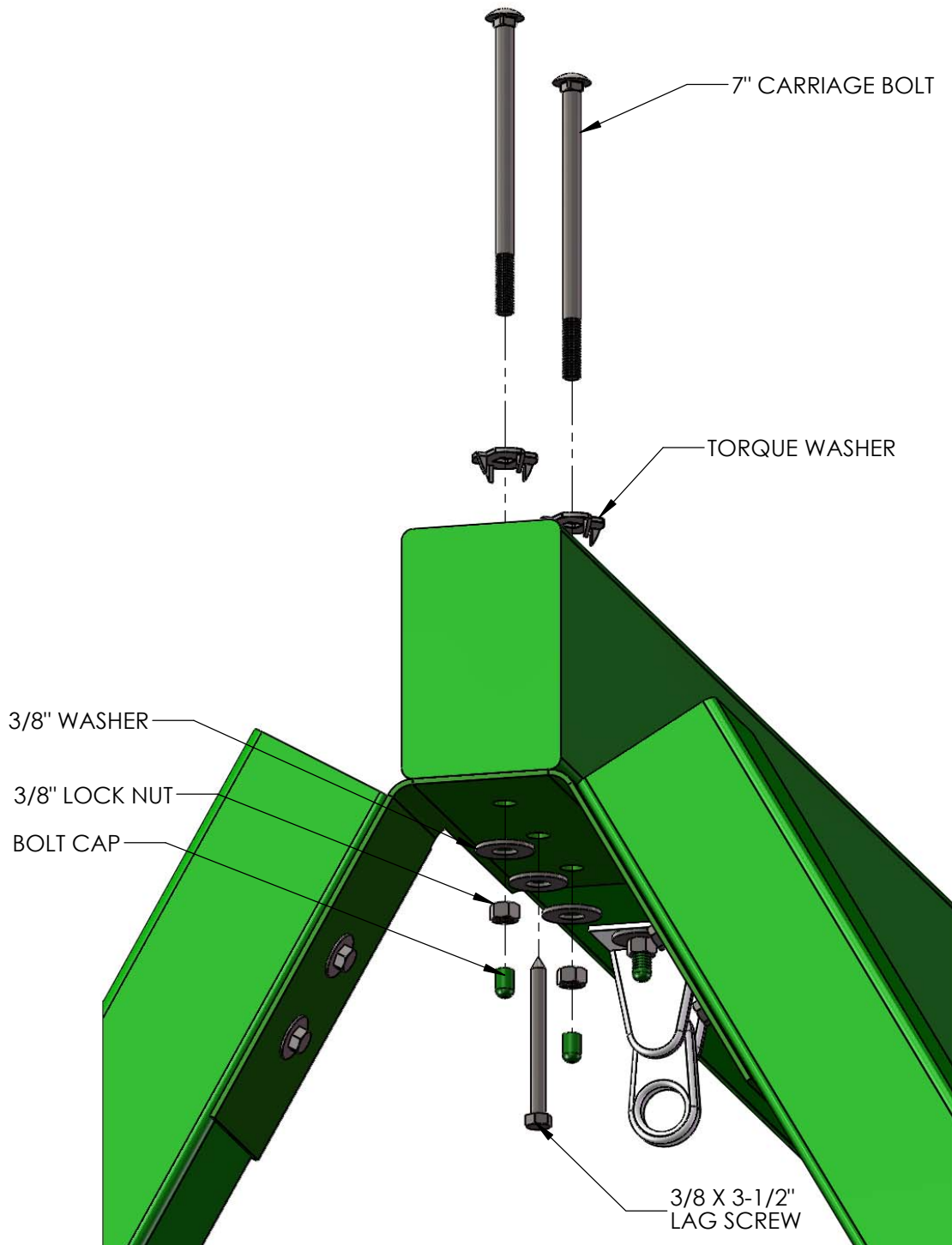


STEP 27: MOUNT SWING BEAM TO SWING BEAM LEGS

1: FASTEN THE SWING BEAM TO THE SWING BEAM BRACKET USING 7" CARRIAGE BOLTS WITH TORQUE WASHERS ON TOP OF THE SWING BEAM, AND 3/8" LOCK NUTS WITH 3/8" WASHERS FROM UNDERNEATH.

2: USE A 3/8 X 3-1/2" LAG SCREW WITH 3/8" WASHER FOR THE HOLE IN THE CENTER OF THE SWING BEAM BRACKET.

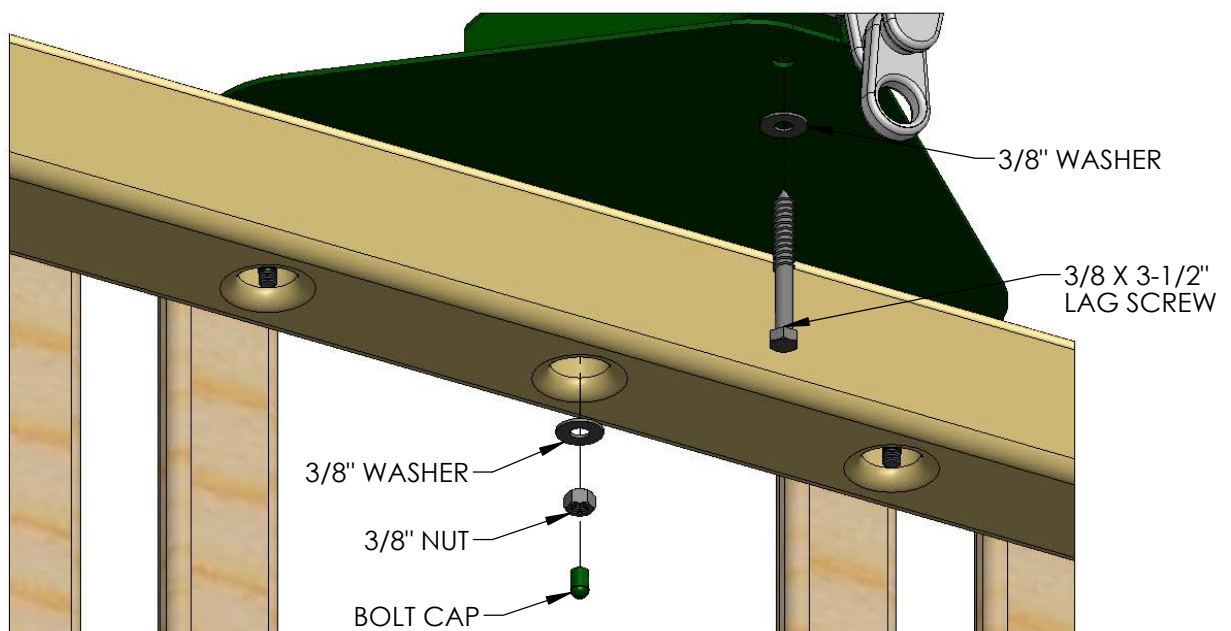
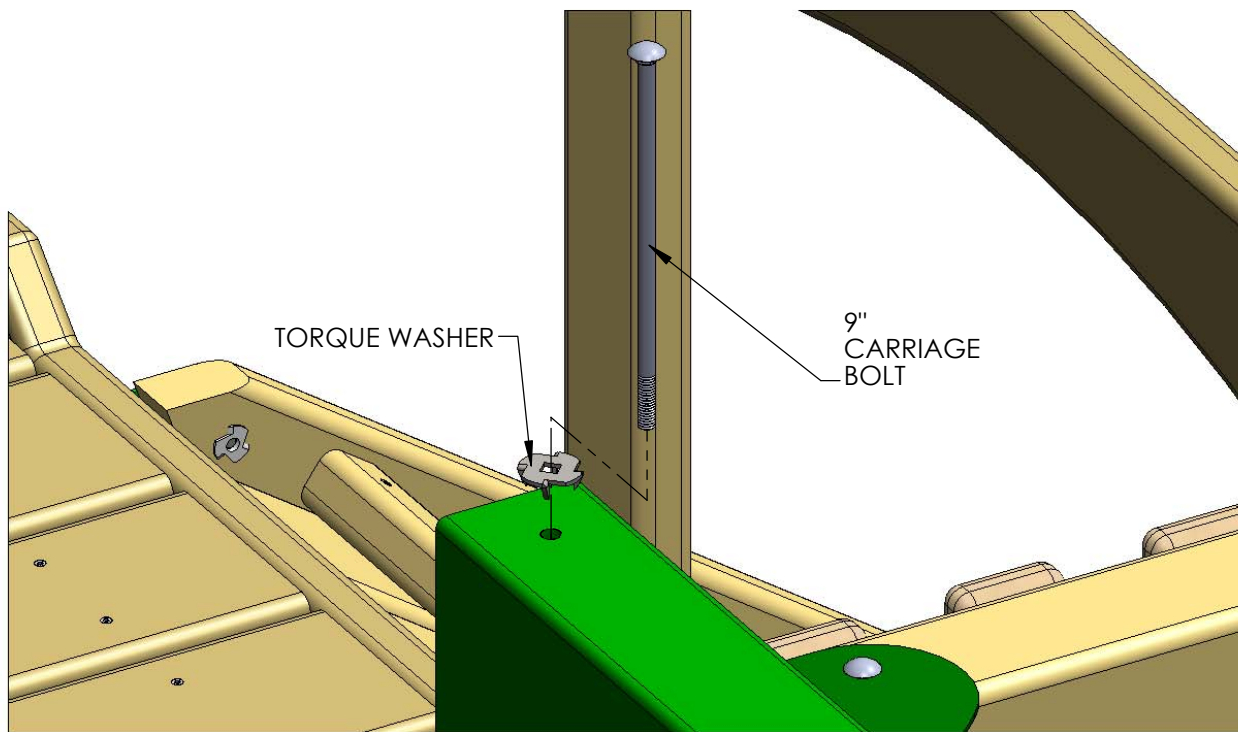
3: PLACE A BOLT CAP OVER ANY EXPOSED THREADS.



STEP 28: MOUNT SWING BEAM ON FORT

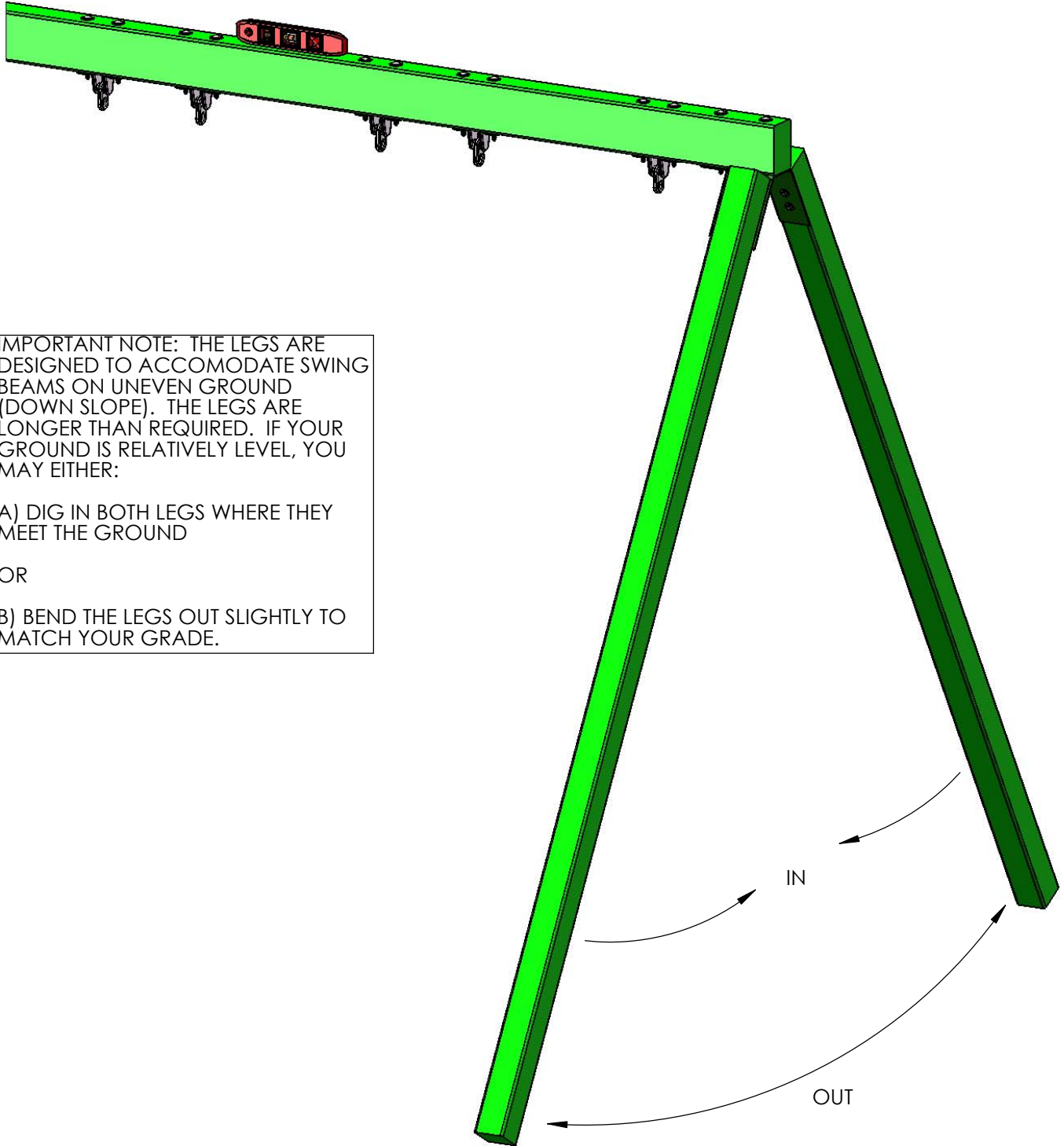
AN EXTRA PERSON IS NEEDED FOR THIS STEP

- 1: HAVE ONE PERSON WALK THE SWING BEAM OUT TO THE END OF THE FORT FROM INSIDE THE FORT WHILE THE OTHER PERSON CARRIES IT BY THE LEGS.
- 2: LINE UP THE PILOT HOLE AT THE END OF THE SWING BEAM WITH THE MIDDLE HOLE ON THE SWING BEAM PLATE.
- 3: FASTEN THE SWING BEAM TO THE SWING BEAM PLATE AND THE SWING BEAM SUPPORT USING A 9" CARRIAGE BOLT WITH A TORQUE WASHER AND A 3/8" LOCK NUT WITH A 3/8" WASHER ON THE BOTTOM. PLACE GREEN BOLT CAPS OVER EXPOSED THREADS AFTER SECURING.
- 4: FASTEN THE SWING BEAM TO THE SWING BEAM PLATE FROM UNDERNEATH WITH A 3/8 X 3-1/2" LAG SCREW AND 3/8" WASHER.
- 5: IF NECESSARY USE VISE GRIPS TO HOLD CARRIAGE BOLTS IN PLACE WHEN INSTALLING.



STEP 29: LEVEL SWING BEAM

1: PLACE A LEVEL ON TOP OF THE SWING BEAM AND ADJUST THE BEAM LEGS IN OR OUT AS NEEDED TO MAKE THE SWING BEAM LEVEL.



IMPORTANT NOTE: THE LEGS ARE DESIGNED TO ACCOMODATE SWING BEAMS ON UNEVEN GROUND (DOWN SLOPE). THE LEGS ARE LONGER THAN REQUIRED. IF YOUR GROUND IS RELATIVELY LEVEL, YOU MAY EITHER:

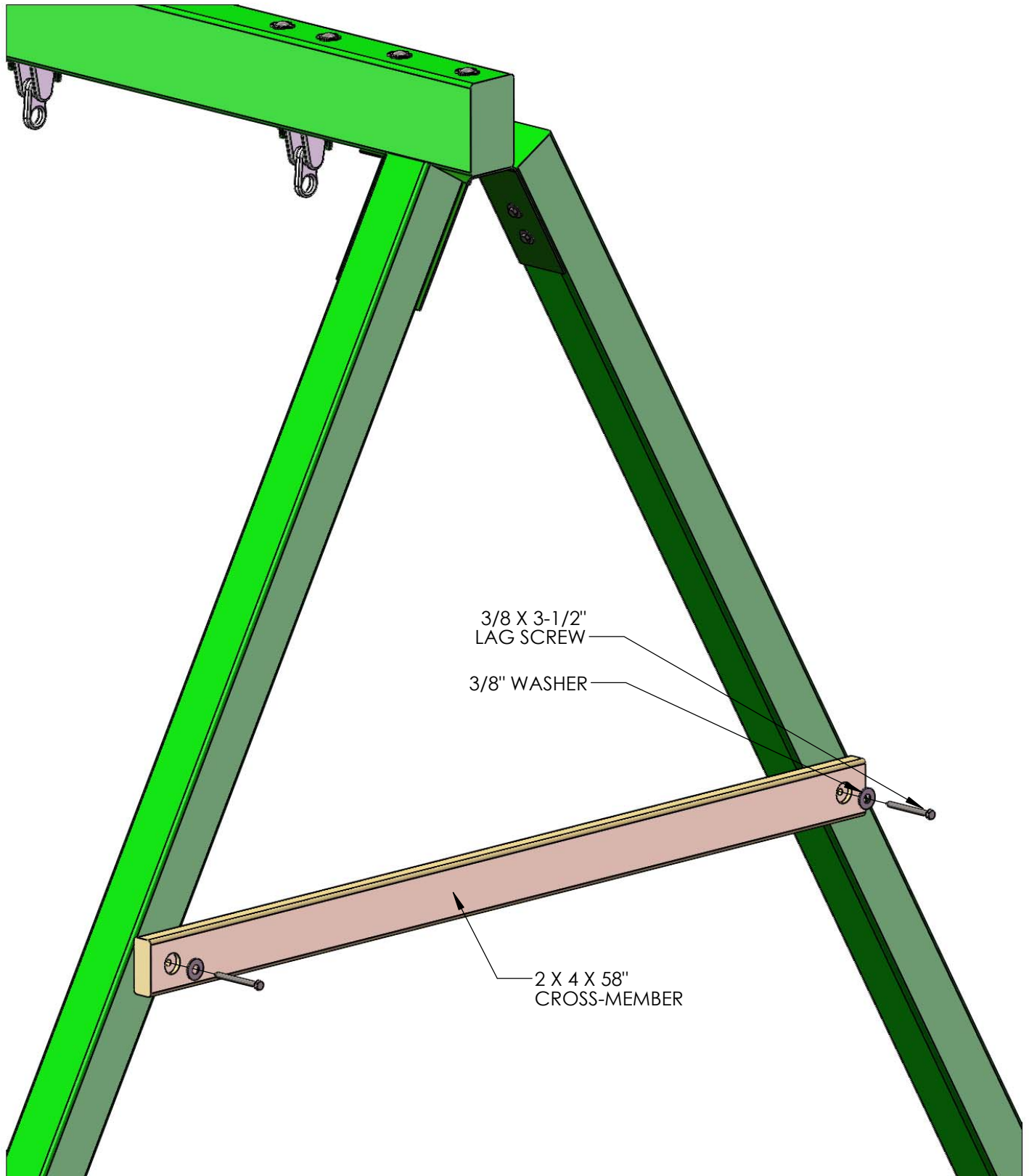
A) DIG IN BOTH LEGS WHERE THEY MEET THE GROUND

OR

B) BEND THE LEGS OUT SLIGHTLY TO MATCH YOUR GRADE.

STEP 30: SWING LEG CROSS-MEMBER

- 1: POSITION THE 2 X 4 X 58" SWING LEG CROSS-MEMBER AGAINST THE SWING BEAM LEGS.
- 2: LEVEL CROSS-MEMBER AND MARK THE LOCATION OF THE SECURING HOLES INSIDE THE CROSS-MEMBER HOLES.
- 3: USE 3/8 X 3-1/2" LAG SCREWS WITH 3/8" WASHERS TO SECURE THE CROSS-MEMBER TO THE SWING BEAM LEGS.



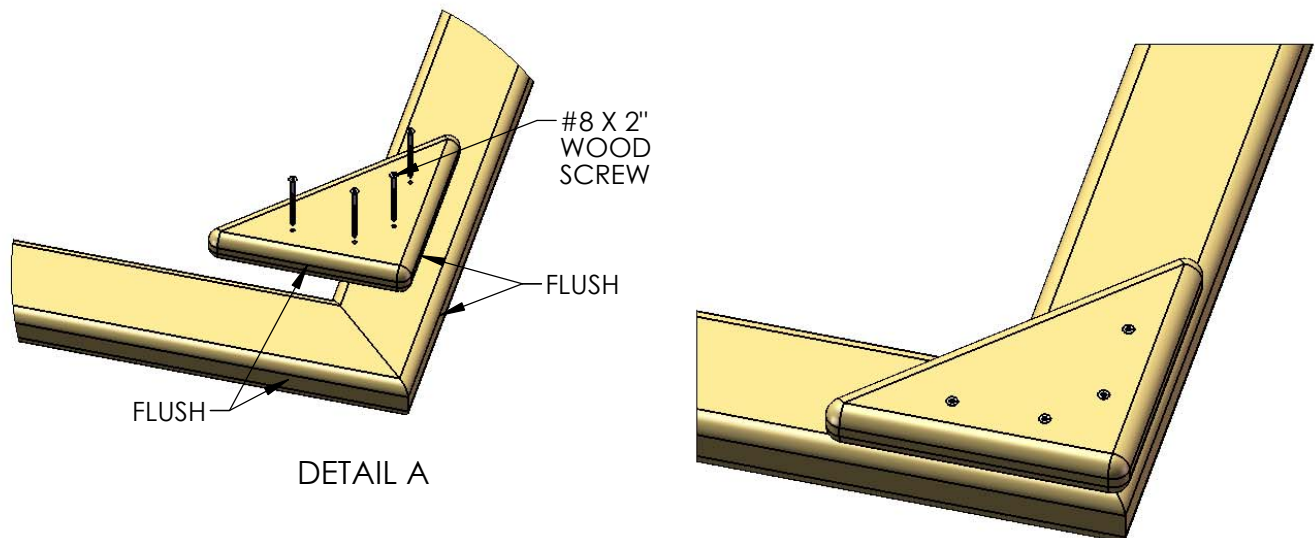
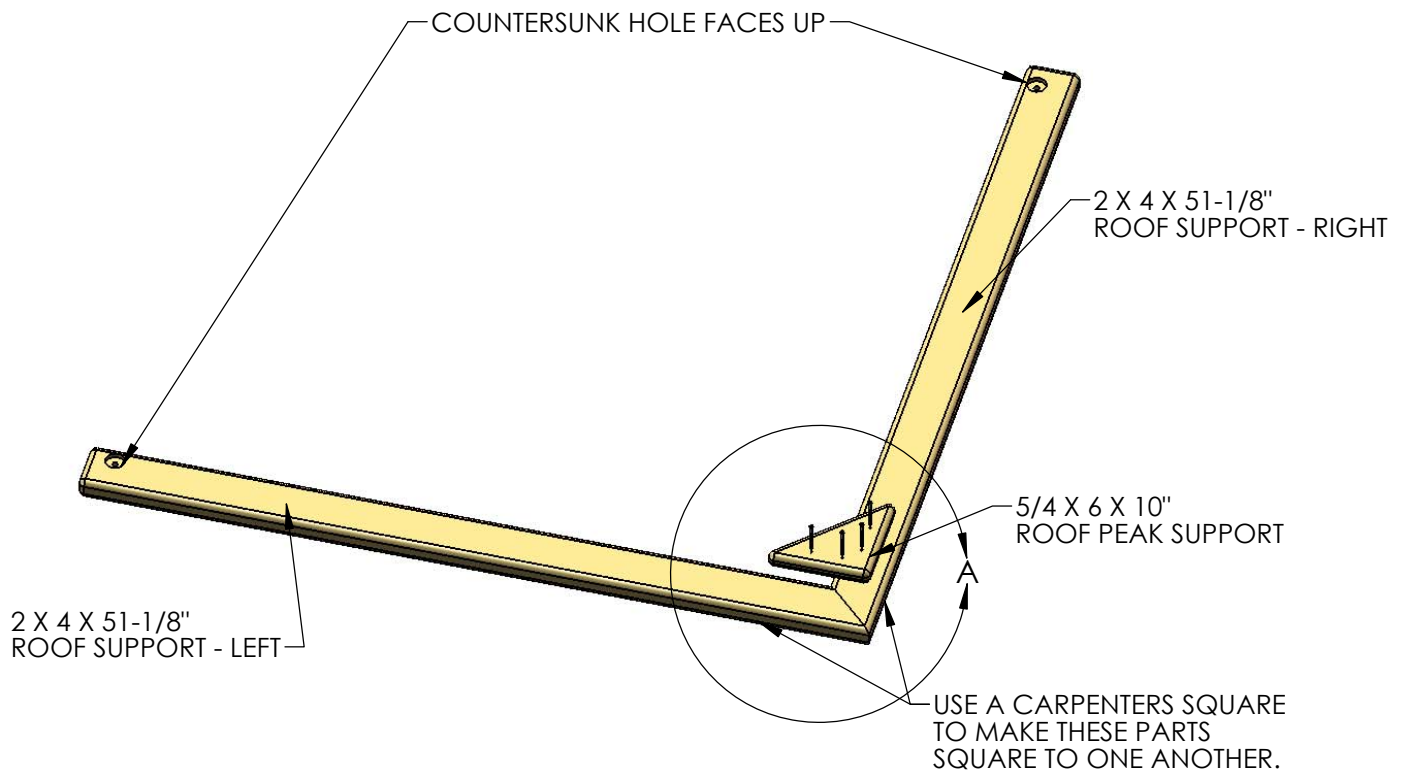
STEP 31: ROOF SUPPORT ASSEMBLIES

1: LOCATE TWO 2 X 4 X 51-1/8" ROOF SUPPORT (LEFT), TWO 2 X 4 X 51-1/8" ROOF SUPPORT (RIGHT) AND TWO 5/4 X 6 X 10" ROOF PEAK SUPPORT PIECES.

2: FIND A FLAT SURFACE TO WORK ON. LAY THE ROOF SUPPORTS DOWN ON THE FLAT SURFACE WITH THE **COUNTERSUNK HOLES FACING UP**. ALIGN THE ANGLED ENDS OF THE ROOF SUPPORTS FLUSH WITH ONE ANOTHER. PLACE A ROOF PEAK SUPPORT ON TOP OF THE ROOF SUPPORTS AS SHOWN. THE EDGES SHOULD BE FLUSH WHERE SHOWN BELOW.

3: USE FOUR #8 X 2" WOOD SCREWS TO ATTACH THE ROOF PEAK SUPPORT TO THE ROOF SUPPORTS AS SHOWN BELOW.

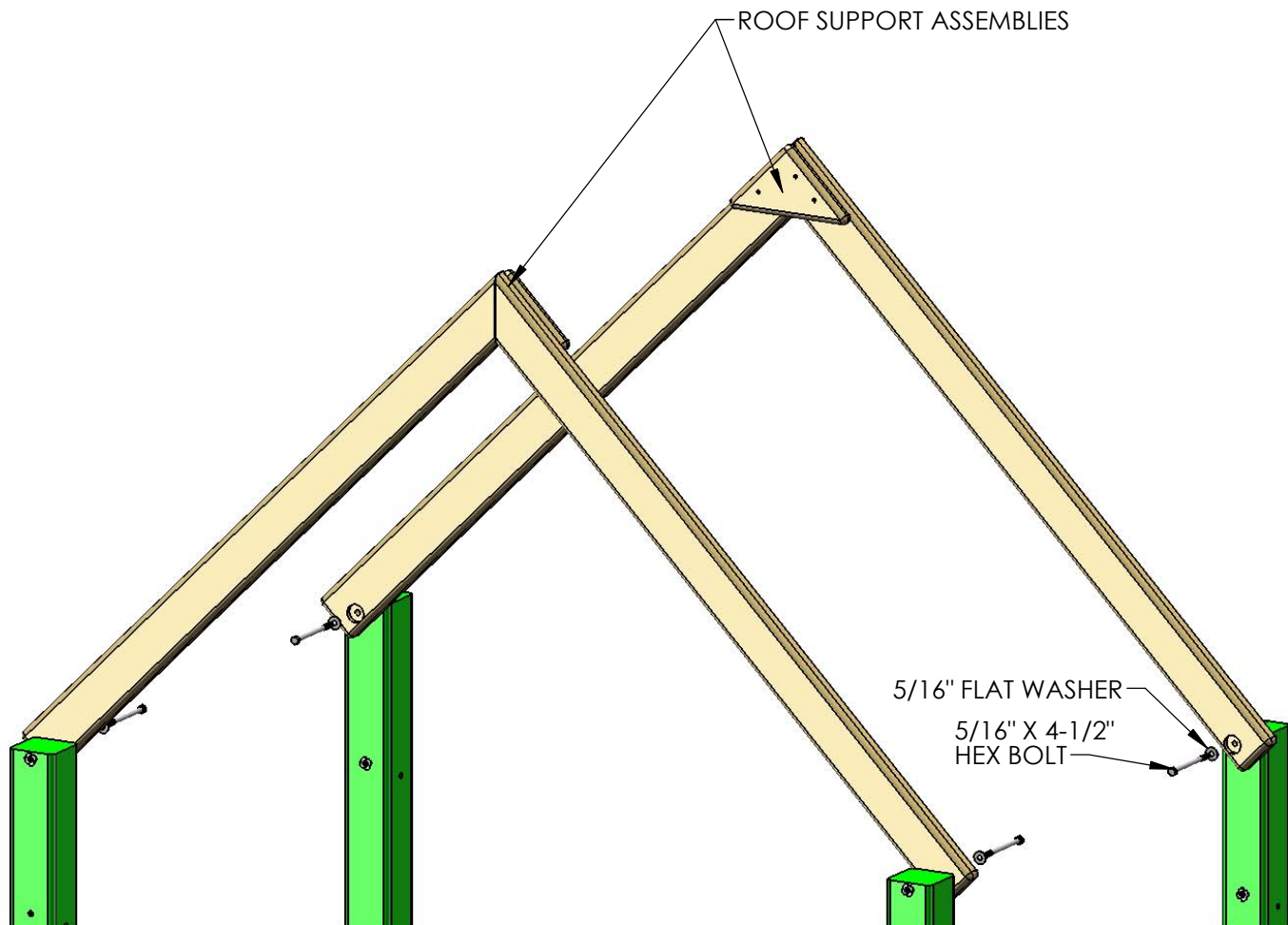
4: MAKE ONE MORE ROOF SUPPORT ASSEMBLY BY REPEATING 2 AND 3.



STEP 31A: INSTALLING ROOF SUPPORT ASSEMBLIES

1: PLACE THE ROOF SUPPORT ASSEMBLIES ON TOP OF THE DECK OF THE PLAY SET. CLIMB ONTO THE DECK TO INSTALL THE ROOF SUPPORT ASSEMBLIES.

2: ATTACH THE ROOF SUPPORT ASSEMBLIES TO THE CORNER POSTS WITH 5/16" X 4-1/2" HEX BOLTS AND 5/16" WASHERS.

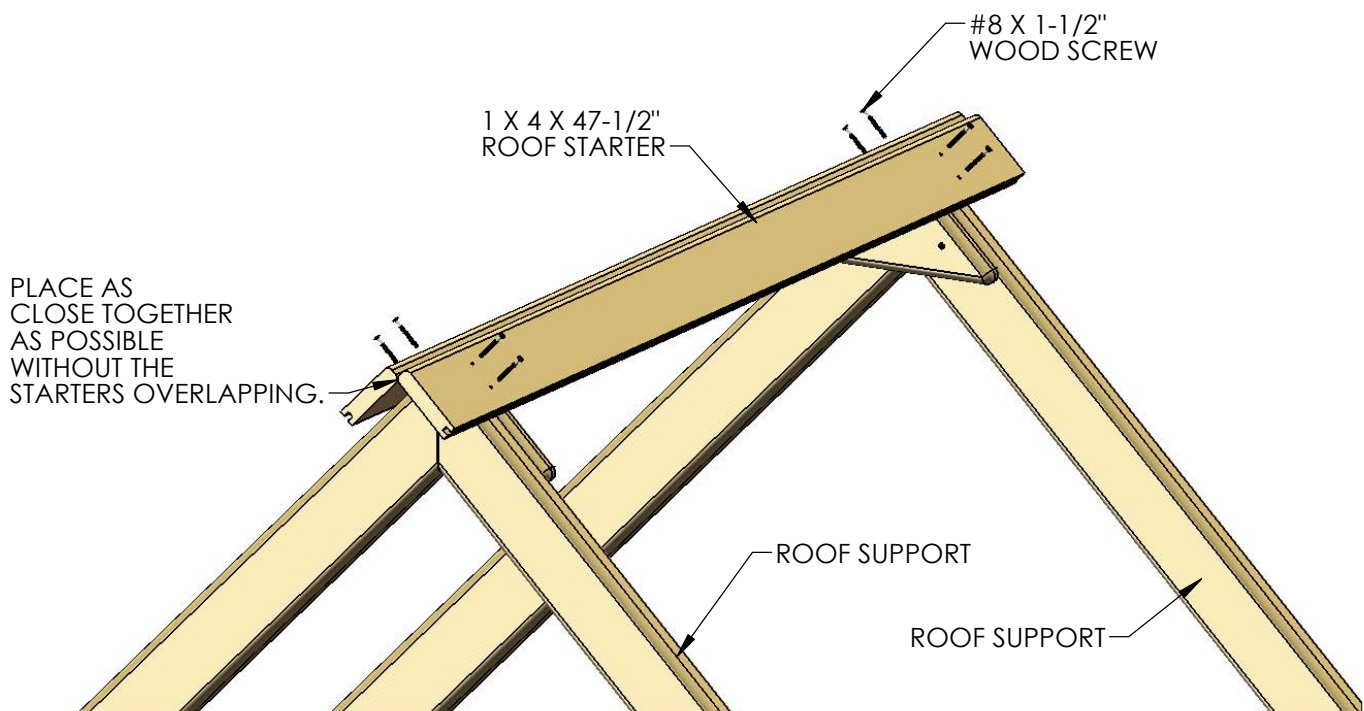
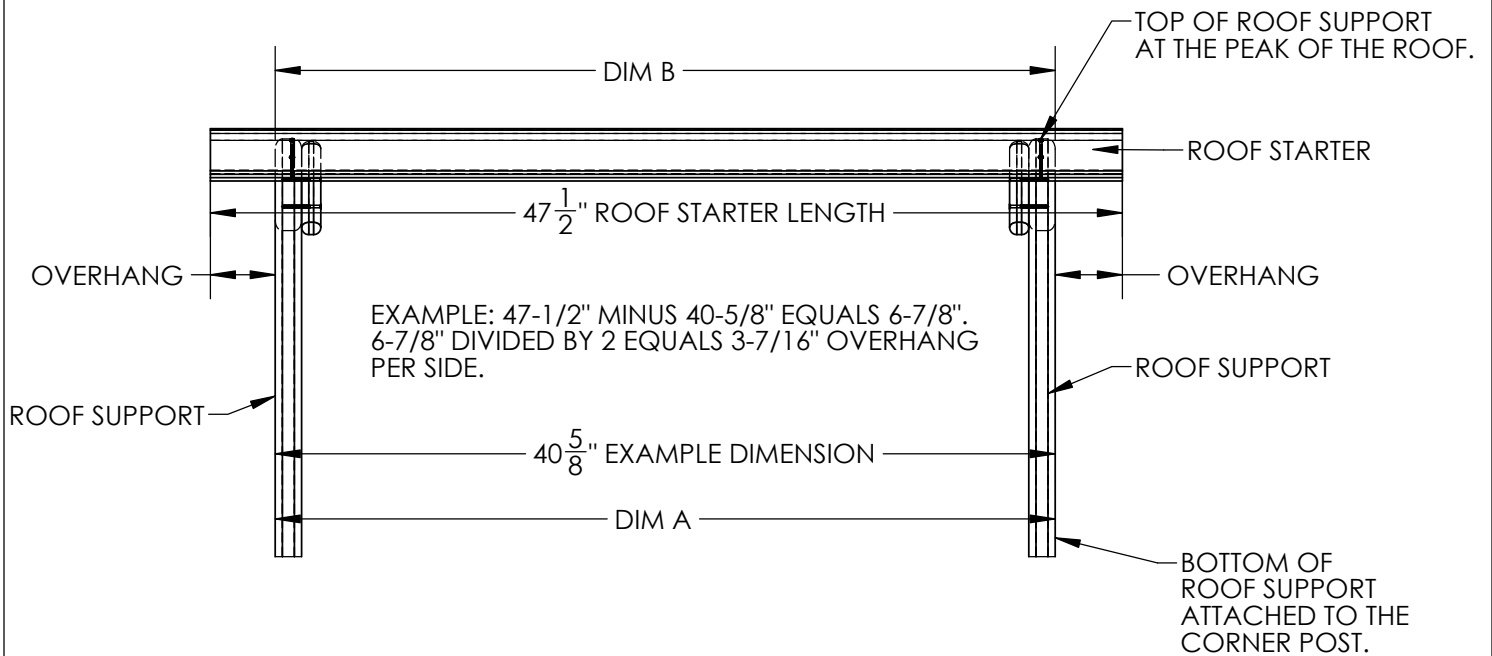


STEP 32: ROOF STARTERS

1: PLACE THE 1 X 4 X 47-1/2" GROOVE-ONLY ROOF STARTER BOARDS AT THE PEAK OF THE ROOF. THE HOLES IN THE ROOF STARTERS SHOULD BE APPROXIMATELY CENTERED (SEE BELOW) ON THE ROOF SUPPORTS, AND THE FLAT ENDS OF THE ROOF STARTERS SHOULD BE PLACED AS CLOSE TO EACH OTHER AS POSSIBLE WITHOUT THE BOARDS OVERLAPPING.

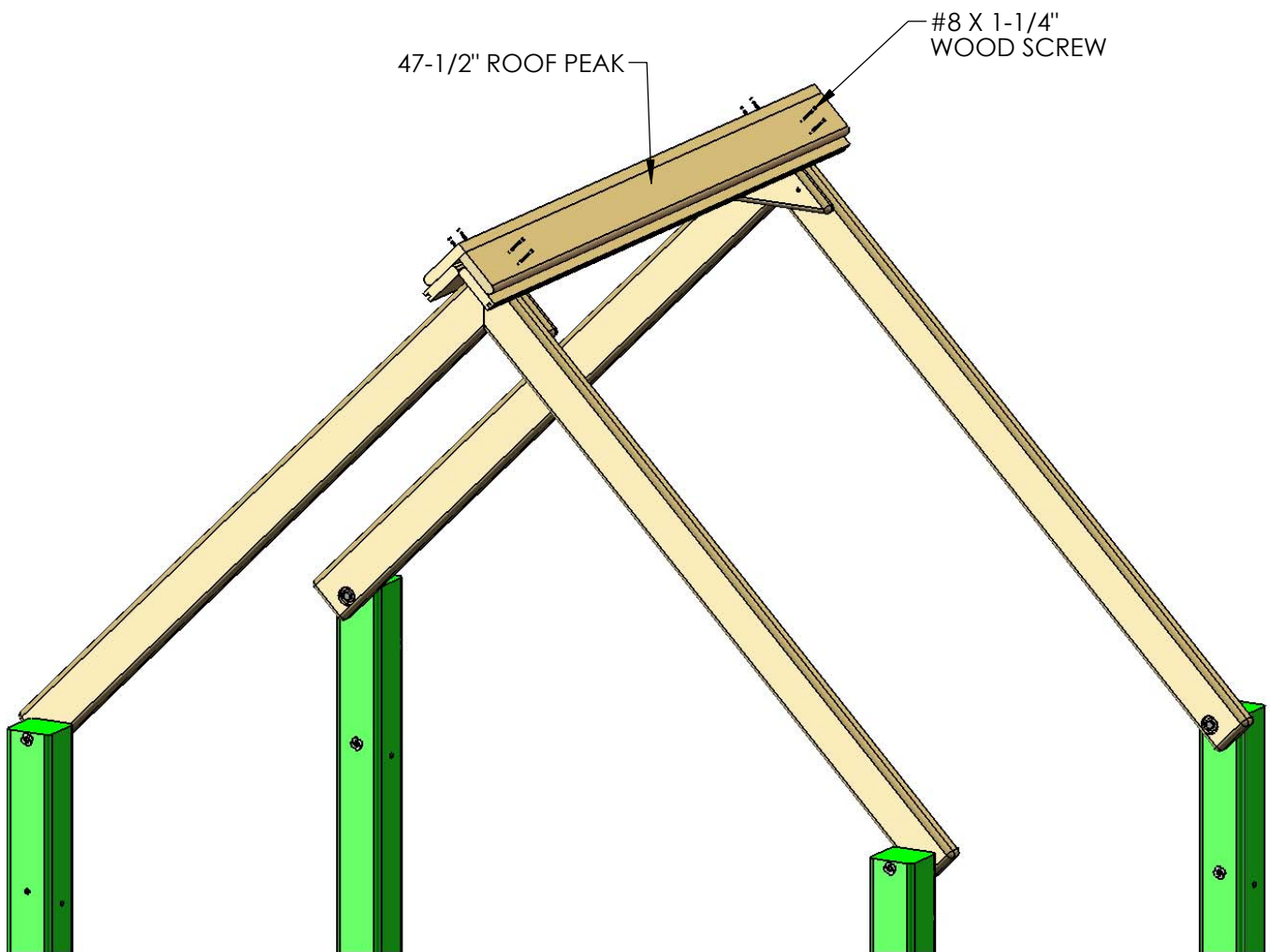
2: FASTEN THE ROOF STARTER BOARDS TO THE ROOF SUPPORTS WITH #8 X 1-1/2" WOOD SCREWS.

MEASURE DIM A ACROSS THE BOTTOM OF THE ROOF SUPPORTS NEAR THE CORNER POSTS. WHEN ATTACHING THE ROOF STARTERS DIM B AT THE ROOF PEAK SHOULD MATCH DIM A. THIS WILL MAKE THE ROOF SUPPORTS PARALLEL TO EACH OTHER. DUE TO WOOD MILLING VARIATIONS YOUR HOLES IN THE ROOF STARTERS WILL EITHER BE CENTERED ON THE ROOF SUPPORTS OR THEY WILL BE OFFSET TOWARDS THE INSIDE OF THE ROOF SUPPORTS SLIGHTLY. SUBTRACT DIM A FROM 47-1/2" AND THEN DIVIDE THIS NUMBER BY 2. THIS WILL GIVE YOU THE OVERHANG FOR EACH SIDE. USE THE OVERHANG NUMBER ON EACH SIDE TO KEEP YOUR ROOF SUPPORTS PARALLEL.



STEP 33: ROOF PEAK

- 1: PLACE THE 47-1/2" ROOF PEAK ON TOP OF THE ROOF STARTER BOARDS.
- 2: FASTEN THE ROOF PEAK TO THE ROOF STARTER BOARDS WITH #8 X 1-1/4" WOOD SCREWS.



STEP 34: ROOF

NOTE: THE SMALL PICTURE BELOW IS A GENERIC VIEW OF A PLAY SET IN OUR 1500 MODEL LINE. TYPICALLY THE ROCK WALL AND/OR SLIDE IS LOCATED ON THE FRONT OF THE 1500 SERIES PLAY SETS. THE BIG PICTURE BELOW SHOWS THE RIGHT SIDE ROOF WITH THE DORMER AND CHIMNEY. THE LEFT SIDE ROOF ONLY GETS A DORMER. INSTRUCTIONS TO BUILD THE CHIMNEY AND DORMERS ARE IN THE APPENDIX AT THE BACK OF THIS MANUAL.

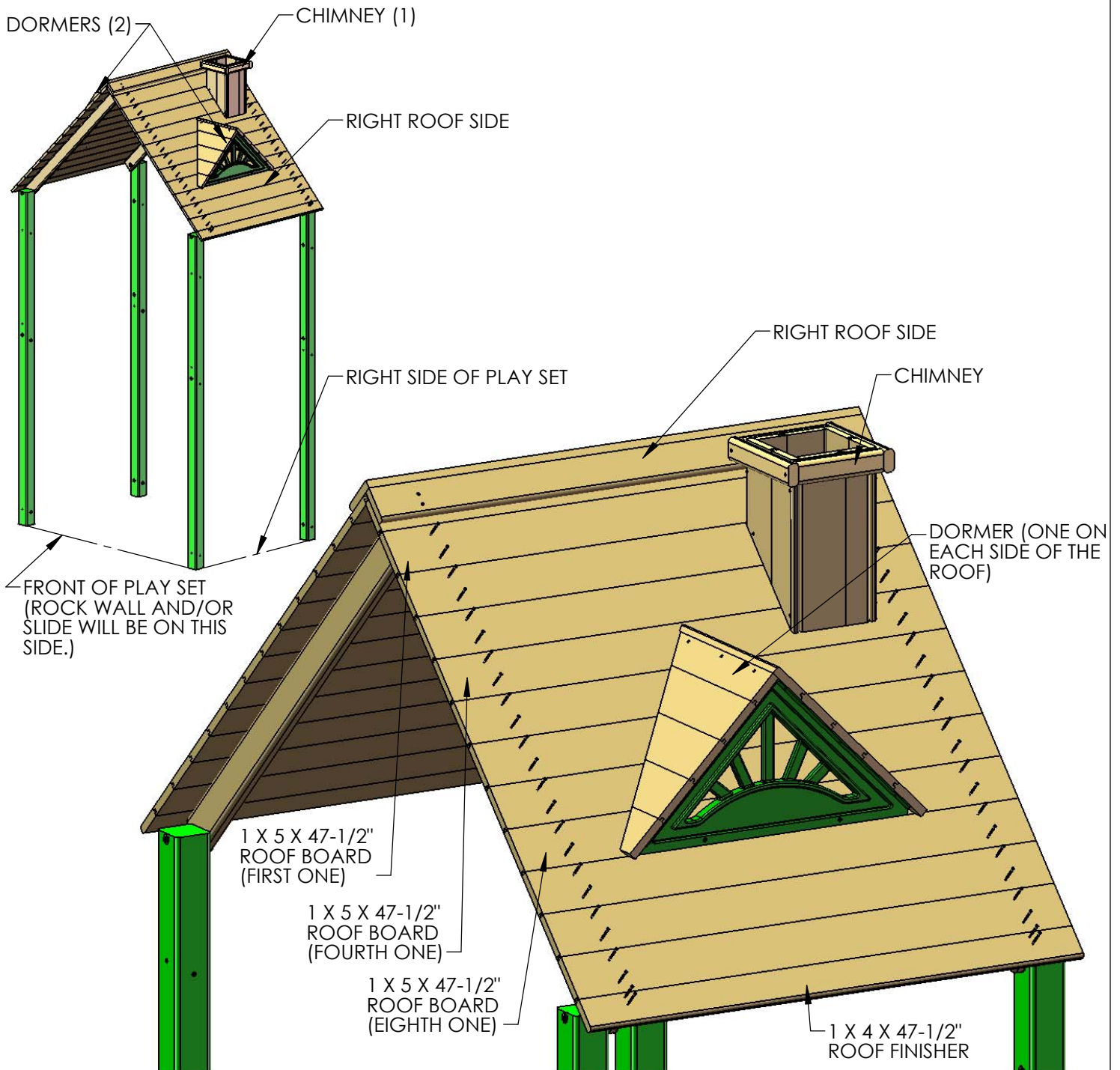
PLEASE NOTE THAT EACH SIDE OF THE ROOF WILL HAVE 11 ROOF BOARDS AND 1 ROOF FINISHER.

1: PLACE THE 1 X 5 X 47-1/2" ROOF BOARDS ON TOP OF THE ROOF SUPPORTS, FITTING THE TONGUE END INTO THE GROOVE END OF THE ROOF STARTERS. EACH SIDE OF THE ROOF GETS 11 ROOF BOARDS.

2: FASTEN THE ROOF BOARDS TO THE ROOF SUPPORTS WITH 1-1/2" WOOD SCREWS

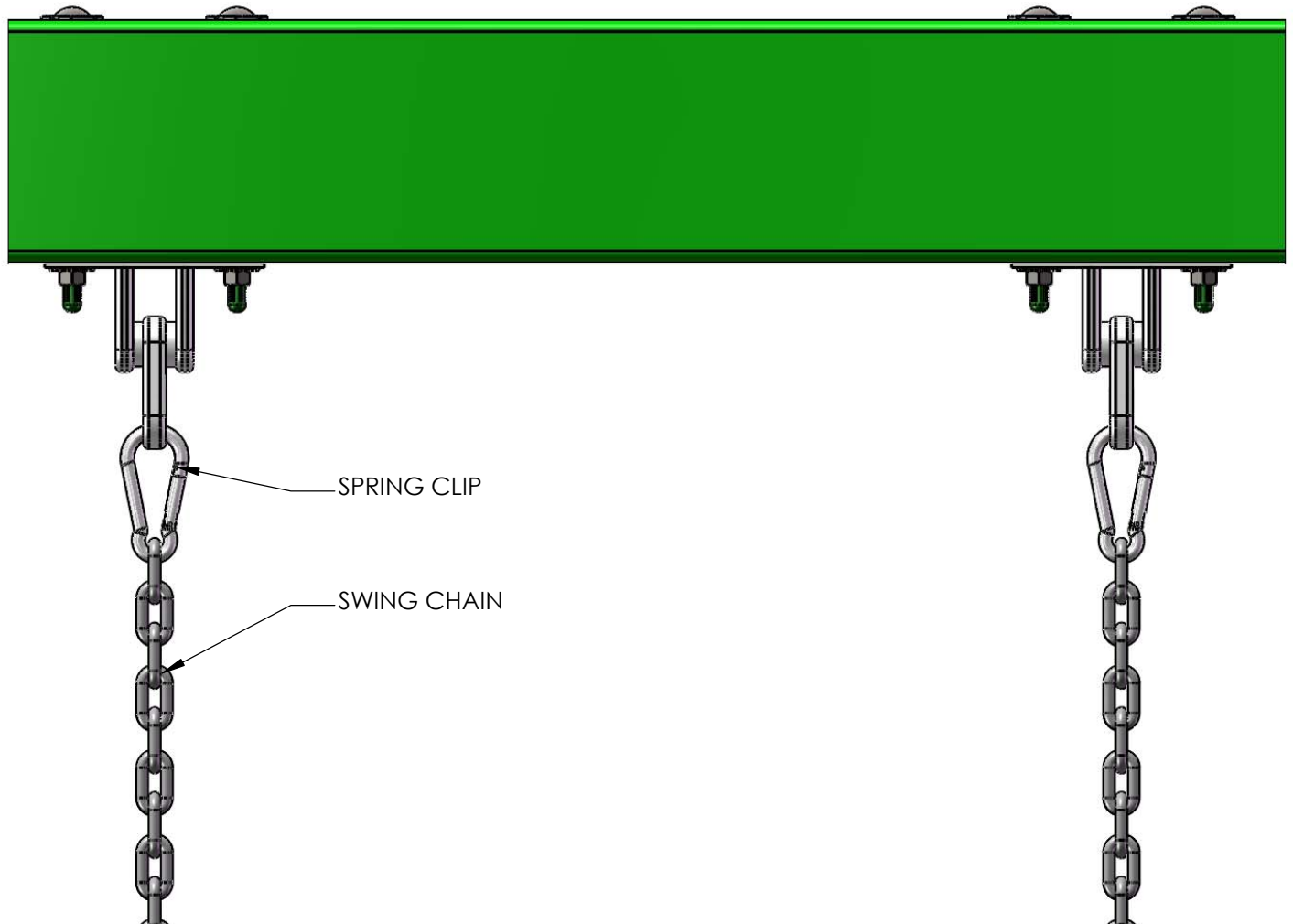
3: FIT THE TONGUE END OF THE 1 X 4 X 47-1/2" ROOF FINISHER INTO THE GROOVE END OF THE LAST ROOF BOARD. FASTEN IT TO THE ROOF SUPPORT WITH FOUR 1-1/2" WOOD SCREWS.

TIP: INSTALL FOUR ROOF BOARDS AND THEN INSTALL THE CHIMNEY ACCORDING TO THE CHIMNEY INSTRUCTIONS. AFTER INSTALLING THE EIGHTH ROOF BOARD INSTALL THE DORMER ACCORDING TO THE DORMER INSTRUCTIONS. THEN FINISH INSTALLING THE REMAINING ROOF BOARDS AND ROOF FINISHER.



STEP 35: HANGING THE SWINGS

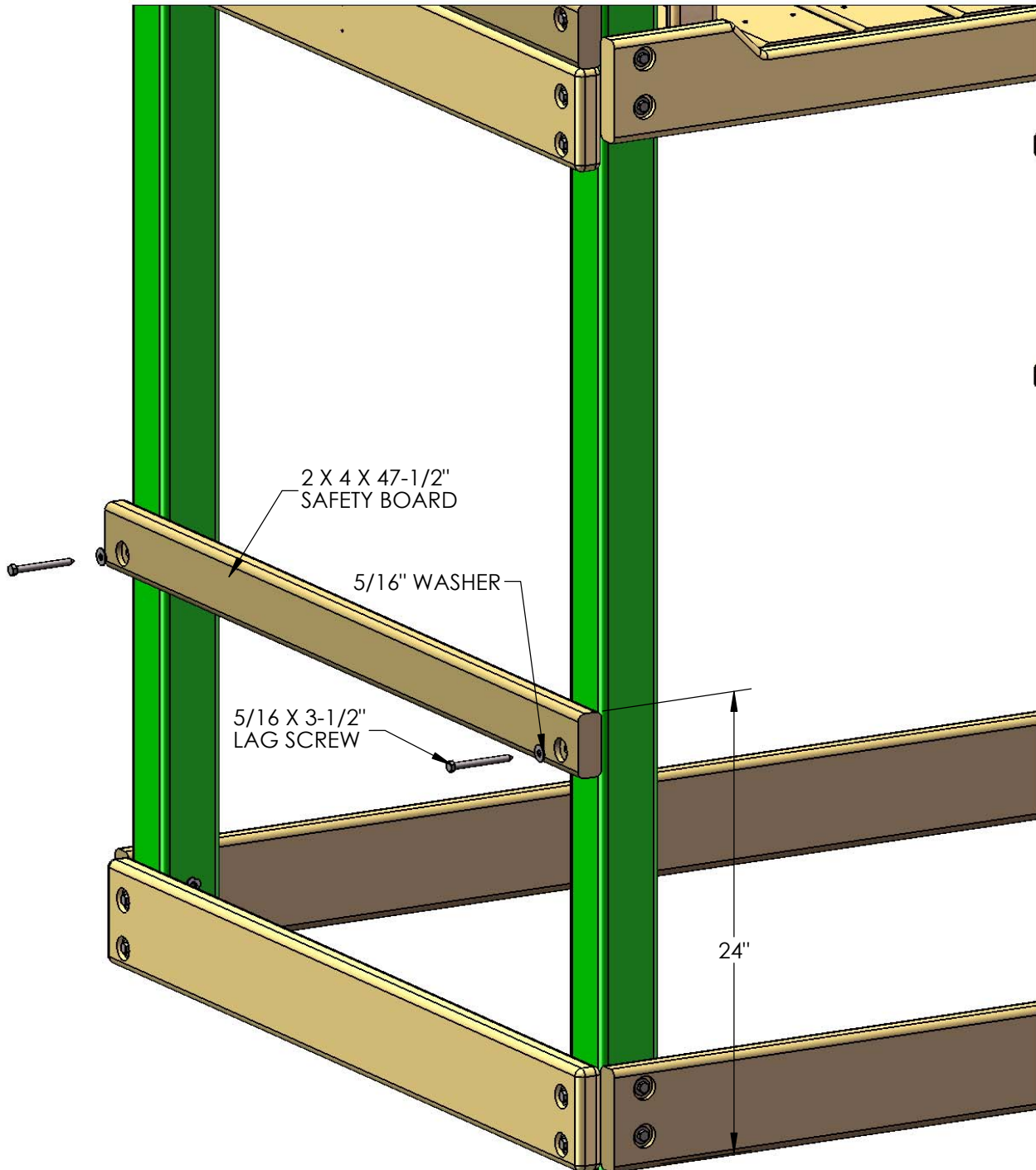
- 1: START BY ATTACHING ONE SPRING CLIP TO EACH IRON DUCTILE ON THE SWING BEAM.
- 2: ATTACH ONE CHAIN PER ACCESSORY TO EACH SPRING CLIP.
- 3: ADJUST HEIGHT AS NEEDED.



STEP 3*: SAFETY BOARD

1: MEASURE 24" FROM THE BOTTOM OF THE CORNER POSTS ON THE LEFT SIDE OF THE FORT. MARK THESE POSITIONS ON THE OUTSIDE OF THE CORNER POSTS. ATTACH THE 2 X 4 X 47-1/2" SAFETY BOARD WITH OFFSET HOLES ON THE CORNER POSTS WITH 5/16 X 3-1/2" LAG SCREWS AND 5/16 WASHERS.

NOTE: THE OFFSET HOLES CAN BE PLACED UP OR DOWN IN THIS STEP.



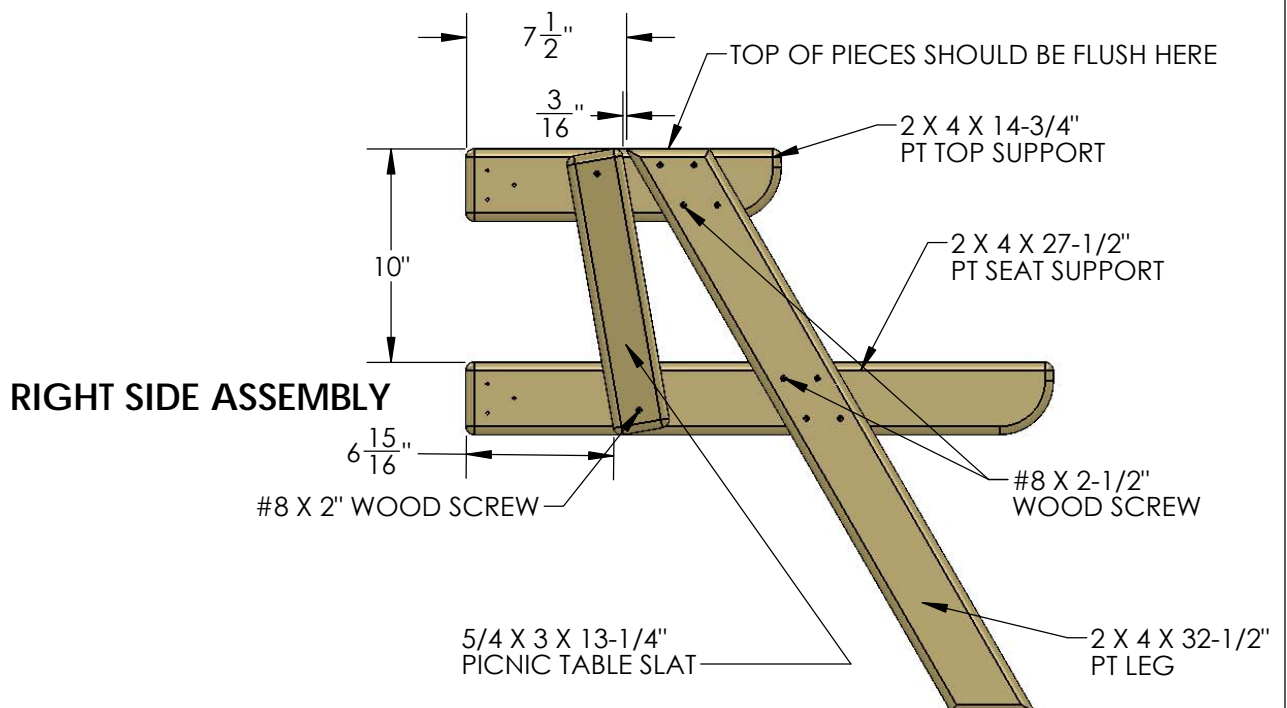
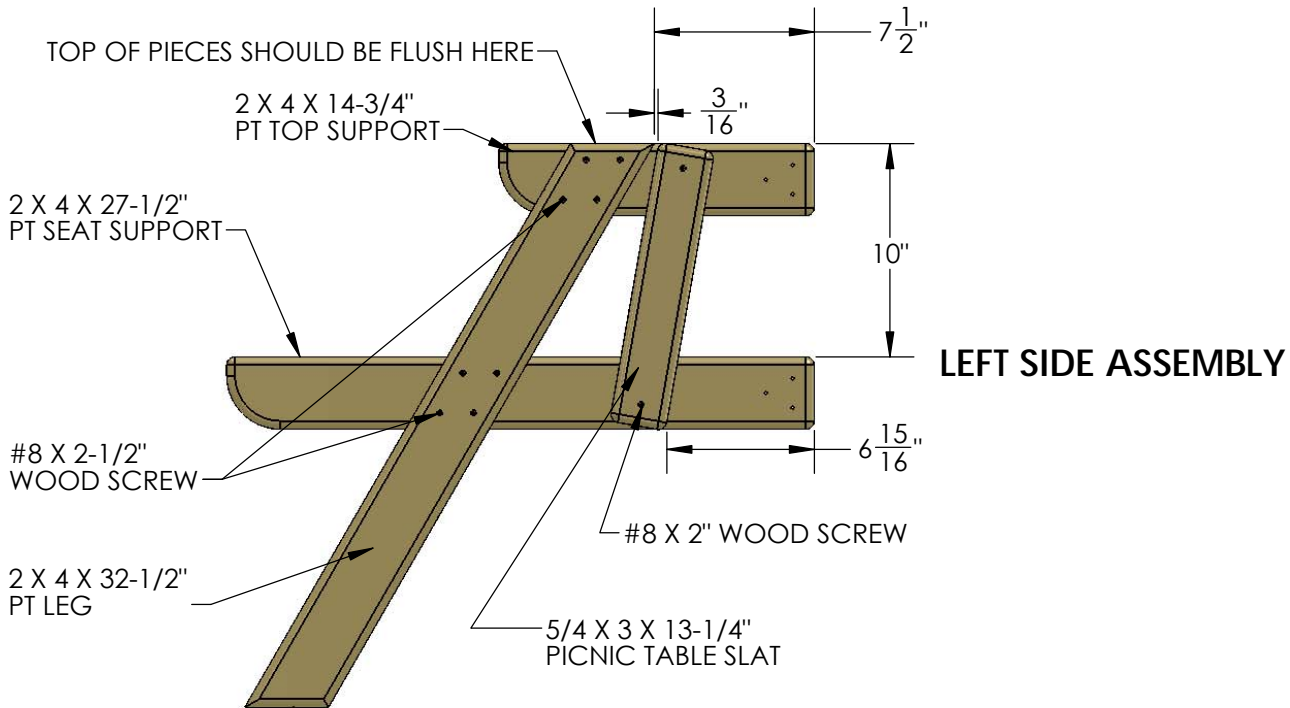
STEP 37: PICNIC TABLE

1: LOCATE TWO 2 X 4 X 14-3/4" PT TOP SUPPORTS, TWO 2 X 4 X 27-1/2" PT SEAT SUPPORTS, TWO 2 X 4 X 32-1/2" PT LEGS AND TWO 5/4 X 3 X 13-1/4" PICNIC TABLE SLATS.

2: FOR THE LEFT SIDE ASSEMBLY, PLACE A 2 X 4 X 14-3/4" PT TOP SUPPORT AND A 2 X 4 X 27-1/2" PT SEAT SUPPORT PARALLEL TO ONE ANOTHER. PLACE A 2 X 4 X 32-1/2" PT LEG ON TOP AT THE 7-1/2" DIMENSION. THE TOP OF THE PT LEG SHOULD BE FLUSH TO THE TOP OF THE PT TOP SUPPORT. ATTACH THE PT LEG TO THE SUPPORTS WITH #8 X 2-1/2" WOOD SCREWS.

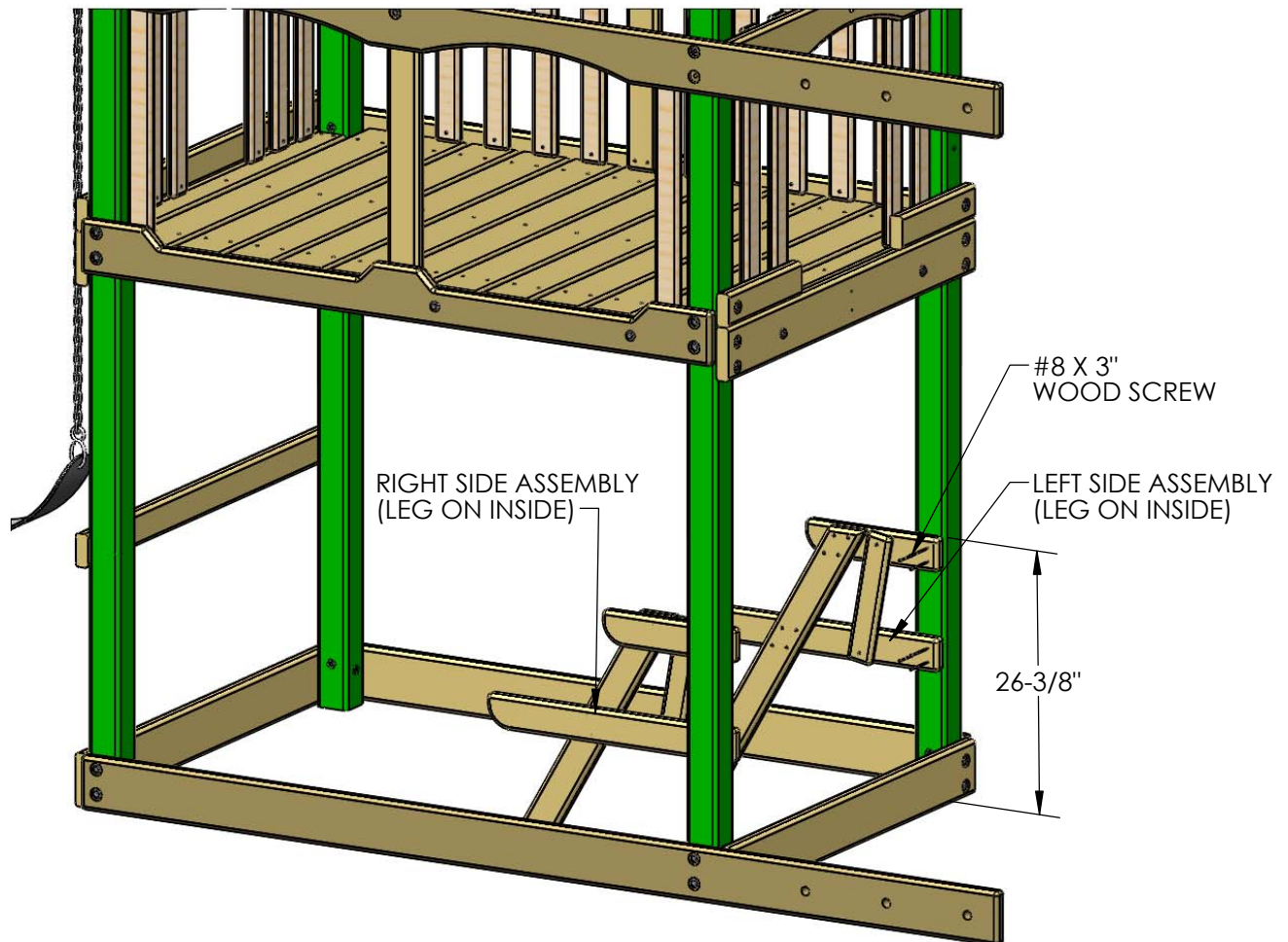
3: FOR THE RIGHT SIDE ASSEMBLY, PLACE A 2 X 4 X 14-3/4" PT TOP SUPPORT AND A 2 X 4 X 27-1/2" PT SEAT SUPPORT PARALLEL TO ONE ANOTHER. PLACE A 2 X 4 X 32-1/2" PT LEG ON TOP AT THE 7-1/2" DIMENSION. THE TOP OF THE PT LEG SHOULD BE FLUSH TO THE TOP OF THE PT TOP SUPPORT. ATTACH THE PT LEG TO THE SUPPORTS WITH #8 X 2-1/2" WOOD SCREWS.

4: PLACE THE PICNIC TABLE SLAT NEXT TO THE PICNIC TABLE LEG FOR EACH ASSEMBLY BELOW. LEAVE A 3/16" GAP BETWEEN THE TOP OF THE SLAT AND THE LEG. USE THE 6-15/16" DIMENSION TO LOCATE THE BOTTOM END OF THE SLAT. FASTEN THE PICNIC TABLE SLAT TO THE SUPPORTS WITH TWO #8 X 2" WOOD SCREWS.



STEP 38: PICNIC TABLE

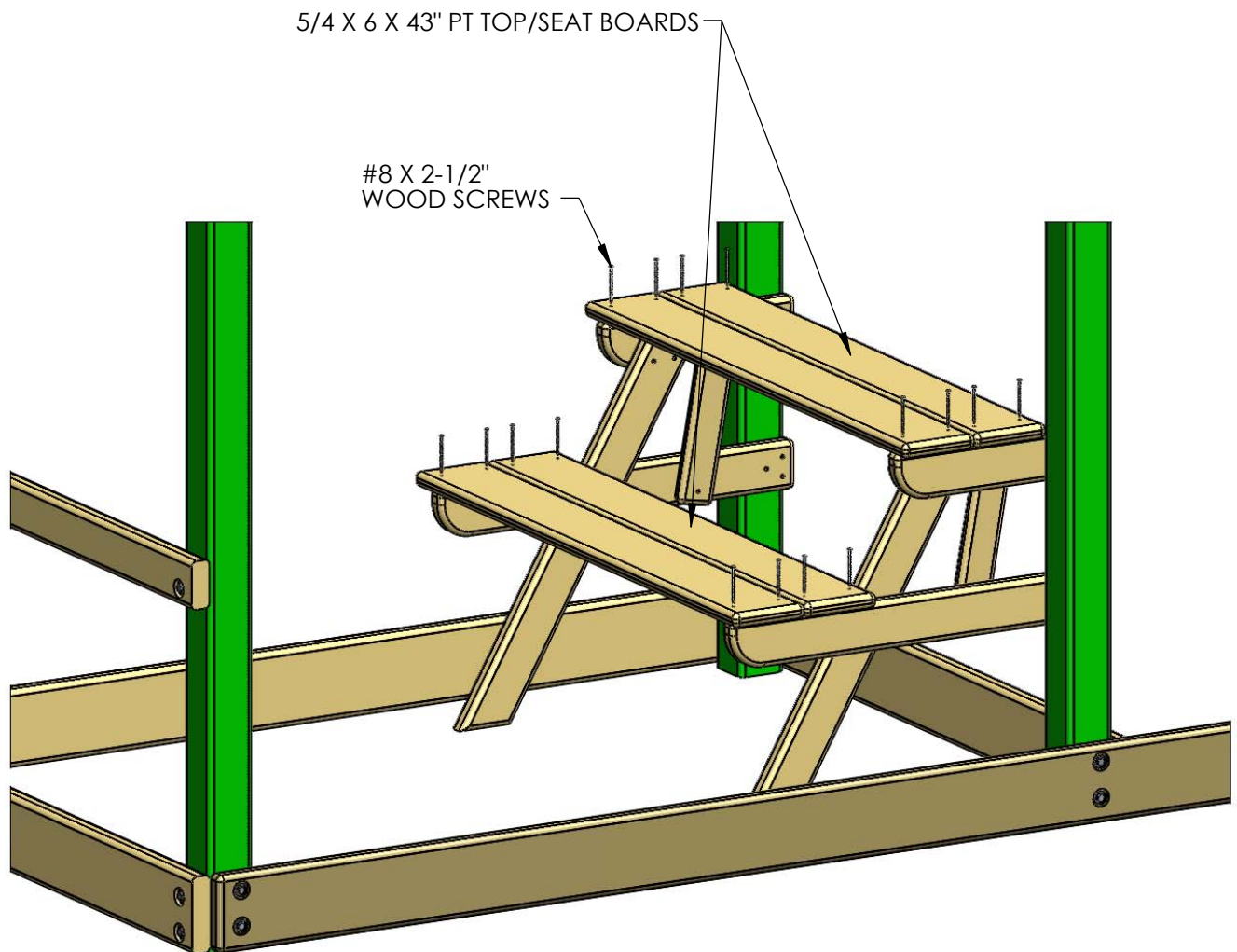
- 1: MEASURE 26-3/8" FROM THE BOTTOM OF THE CORNER POSTS ON THE RIGHT SIDE OF THE PLAYSET. MAKE MARKS ON THE INSIDE OF THE CORNER POSTS WITH A PEN OR PENCIL AT 26-3/8".
- 2: PLACE THE TOP OF THE RIGHT SIDE ASSEMBLY FLUSH TO THE MARK ON THE RIGHT FRONT CORNER POST. ATTACH THE RIGHT SIDE ASSEMBLY TO THE INSIDE OF THE CORNER POST WITH #8 X 3" WOOD SCREWS.
- 3: PLACE THE TOP OF THE LEFT SIDE ASSEMBLY FLUSH TO THE MARK ON THE RIGHT REAR CORNER POST. ATTACH THE LEFT SIDE ASSEMBLY TO THE INSIDE OF THE CORNER POST WITH #8 X 3" WOOD SCREWS.



NOTE: RAMP AND ROCK WALL
REMOVED FOR CLARITY.

STEP 39: PICNIC TABLE

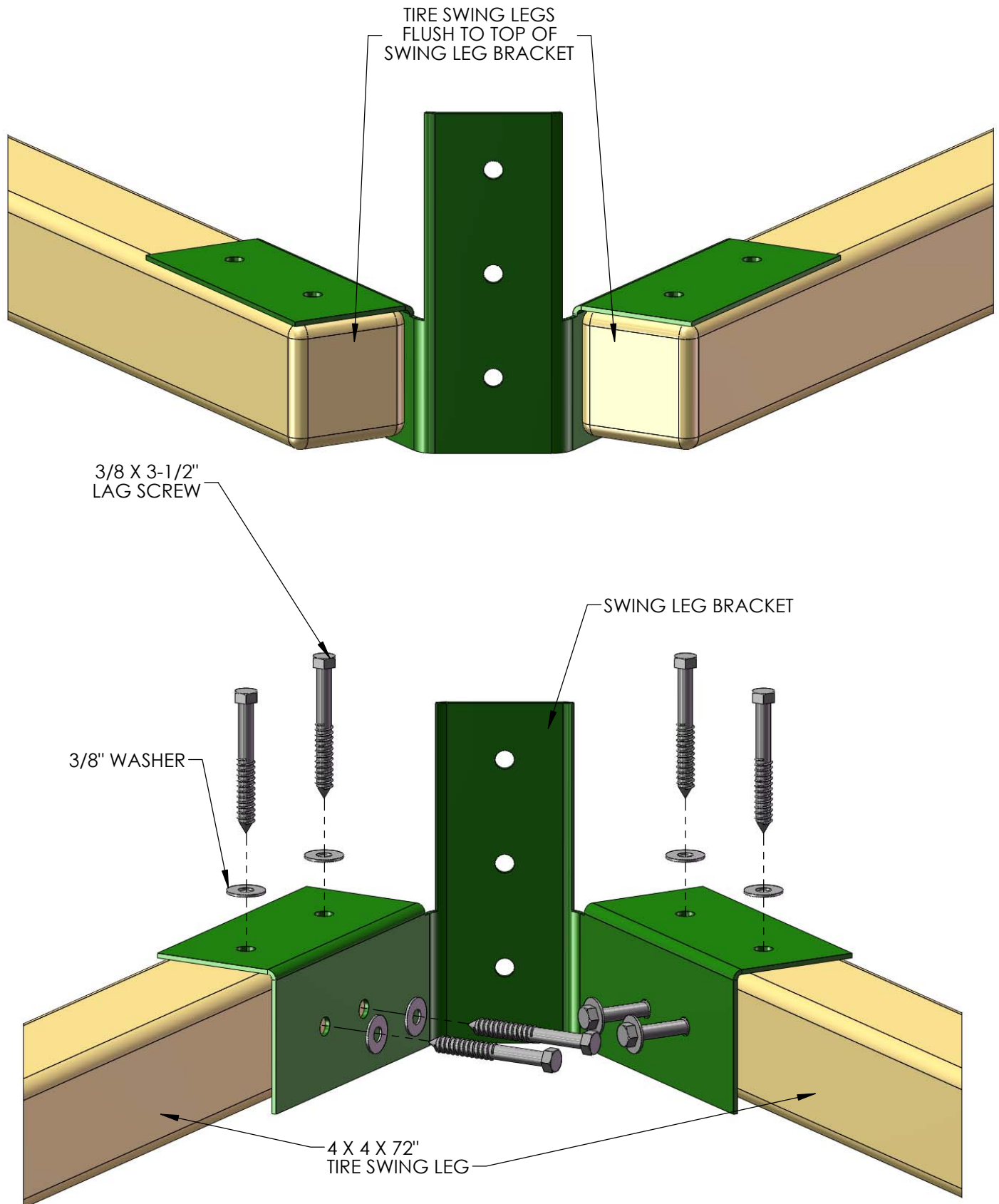
- 1: LOCATE FOUR 5/4 X 6 X 43" PT TOP AND SEAT BOARDS.
- 2: CENTER THE HOLES IN THE BOARDS OVER THE TOP OR SEAT SUPPORTS.
- 3: FASTEN THE PT TOP AND SEAT BOARDS TO THE TOP OR SEAT SUPPORTS WITH #8 X 2-1/2" WOOD SCREWS.



STEP 40: TIRE SWING

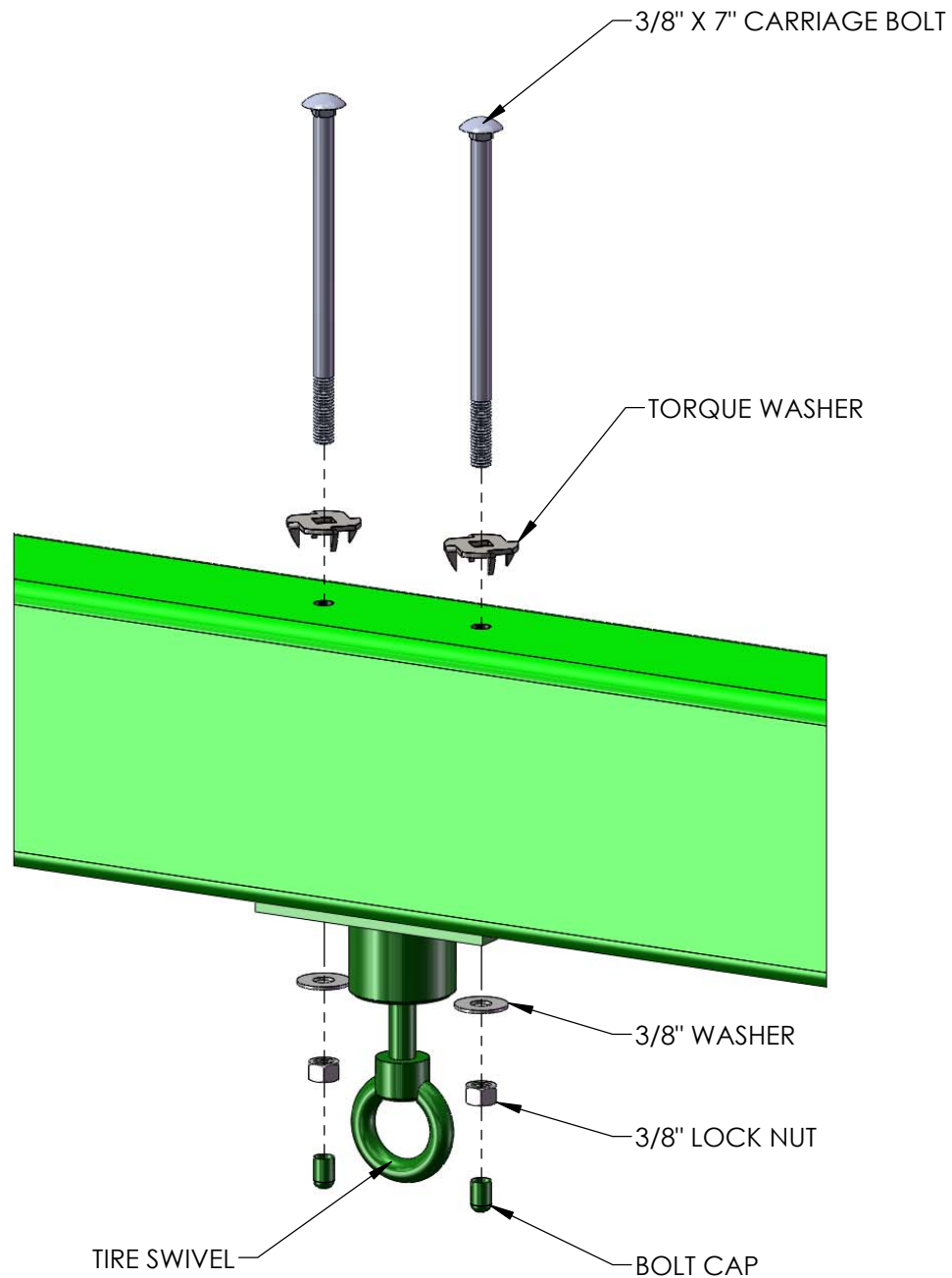
1: PLACE THE 4 X 4 X 72" TIRE SWING LEGS FLUSH TO THE TOP OF THE SWING LEG BRACKET.

2: FASTEN THE TIRE SWING LEGS TO THE SWING LEG BRACKET WITH 3/8 X 3-1/2" LAG SCREWS AND 3/8" WASHERS.



STEP 41: TIRE SWING

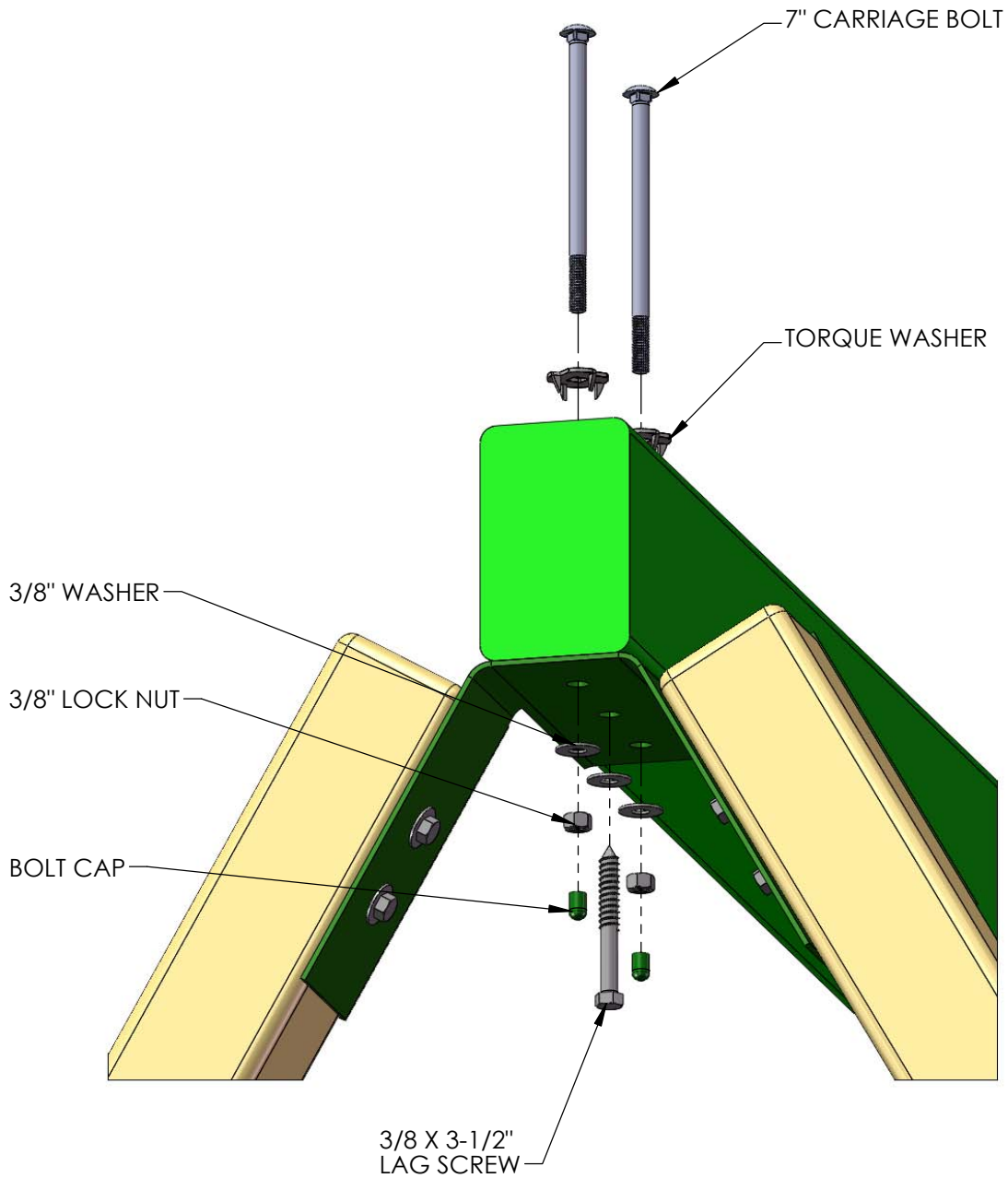
- 1: LINE UP THE HOLES OF THE TIRE SWIVEL WITH THE HOLES IN THE TIRE SWING BEAM.
- 2: FASTEN THE TIRE SWIVEL TO THE TIRE SWING BEAM USING 3/8" X 7" CARRIAGE BOLTS WITH TORQUE WASHERS, AND 3/8" WASHERS WITH 3/8" LOCK NUTS.
- 3: PLACE BOLT CAPS OVER EXPOSED THREADS.



STEP 42: TIRE SWING

1: FASTEN THE TIRE SWING BEAM TO THE SWING BEAM BRACKET USING 3/8" X 7" CARRIAGE BOLTS WITH TORQUE WASHERS ON TOP OF THE TIRE SWING BEAM, AND 3/8" LOCK NUTS WITH 3/8" WASHERS FROM UNDERNEATH. PLACE A BOLT CAP OVER ANY EXPOSED THREADS.

2: USE A 3/8" X 3-1/2" LAG SCREW WITH 3/8" WASHER FOR THE HOLE IN THE CENTER OF THE SWING BEAM BRACKET.



STEP 43: TIRE SWING

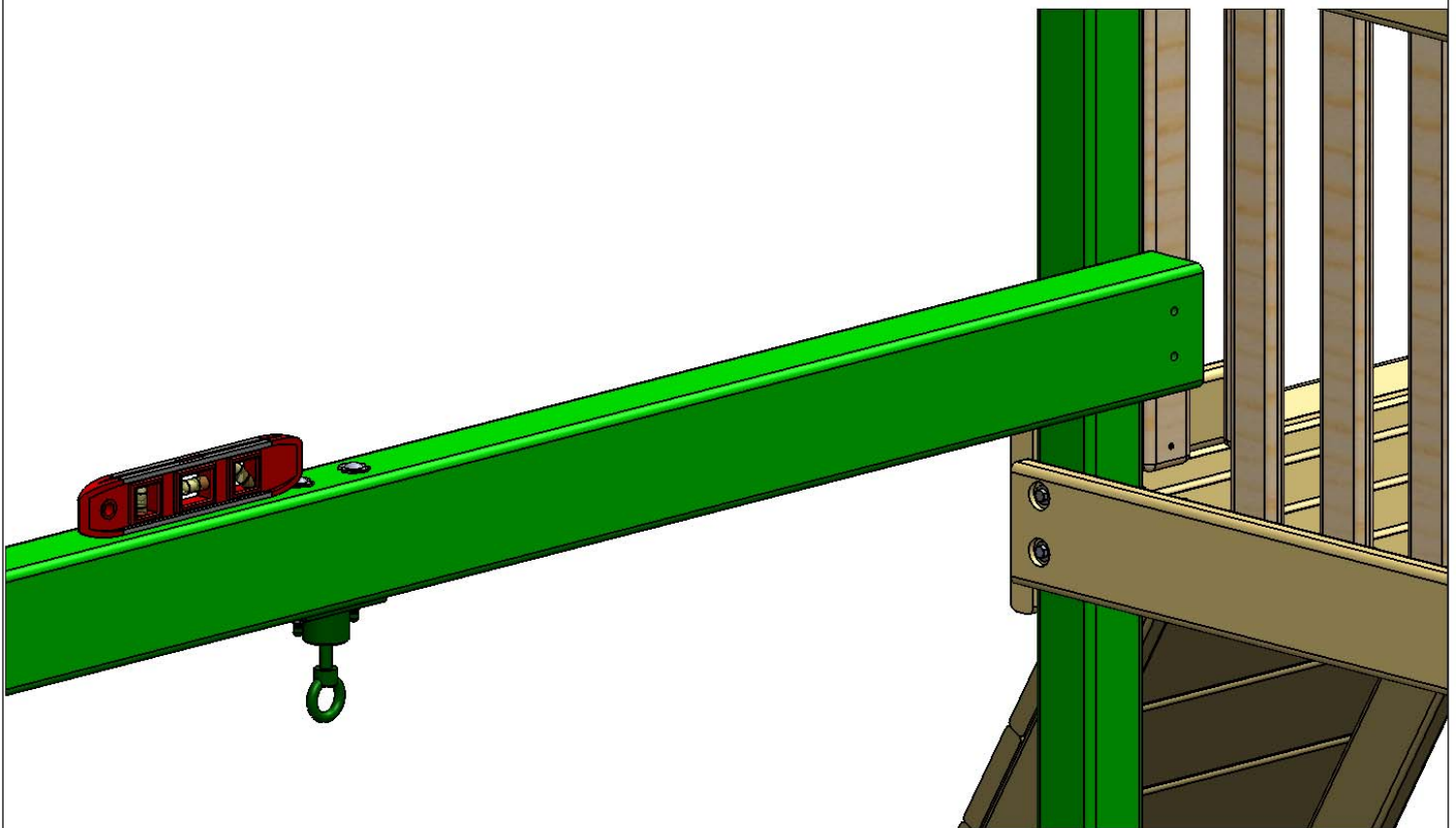
IMPORTANT: NOTE THE TIRE SWING LEGS ARE DESIGNED TO ACCOMODATE SWING BEAMS ON UNEVEN GROUND (DOWN SLOPE). THEY ARE LONGER THAN REQUIRED. IF YOUR GROUND IS RELATIVELY LEVEL, YOU MAY NEED TO EITHER A) DIG IN BOTH LEGS WHERE THEY MEET THE GROUND, OR B) BEND THE LEGS OUT SLIGHTLY TO MATCH YOUR GRADE. (ALSO SEE STEP 48)

AN EXTRA PERSON IS NEEDED FOR THIS STEP

1: SIT THE SWING BEAM LEGS UPRIGHT.

2: TAKE THE ASSEMBLED TIRE SWING BEAM AND LEGS AND INSERT THE SWING BEAM INTO THE GAP BETWEEN THE BACK RIGHT CORNER POST AND THE PANEL SLAT. PLACE A SMALL LEVEL ON TOP OF THE BEAM IN ORDER TO LEVEL CORRECTLY.

3: WITH A 3/8" DRILL BIT, USE THE PRE-DRILLED HOLES IN THE END OF THE TIRE SWING BEAM AS A TEMPLATE FOR THE HOLES THAT WILL BE DRILLED INTO THE CORNER POST.



STEP 44: TIRE SWING

IN THIS STEP YOU WILL BE MOUNTING THE TIRE SWING BEAM TO THE FORT.

AN EXTRA PERSON IS NEEDED FOR THIS STEP.

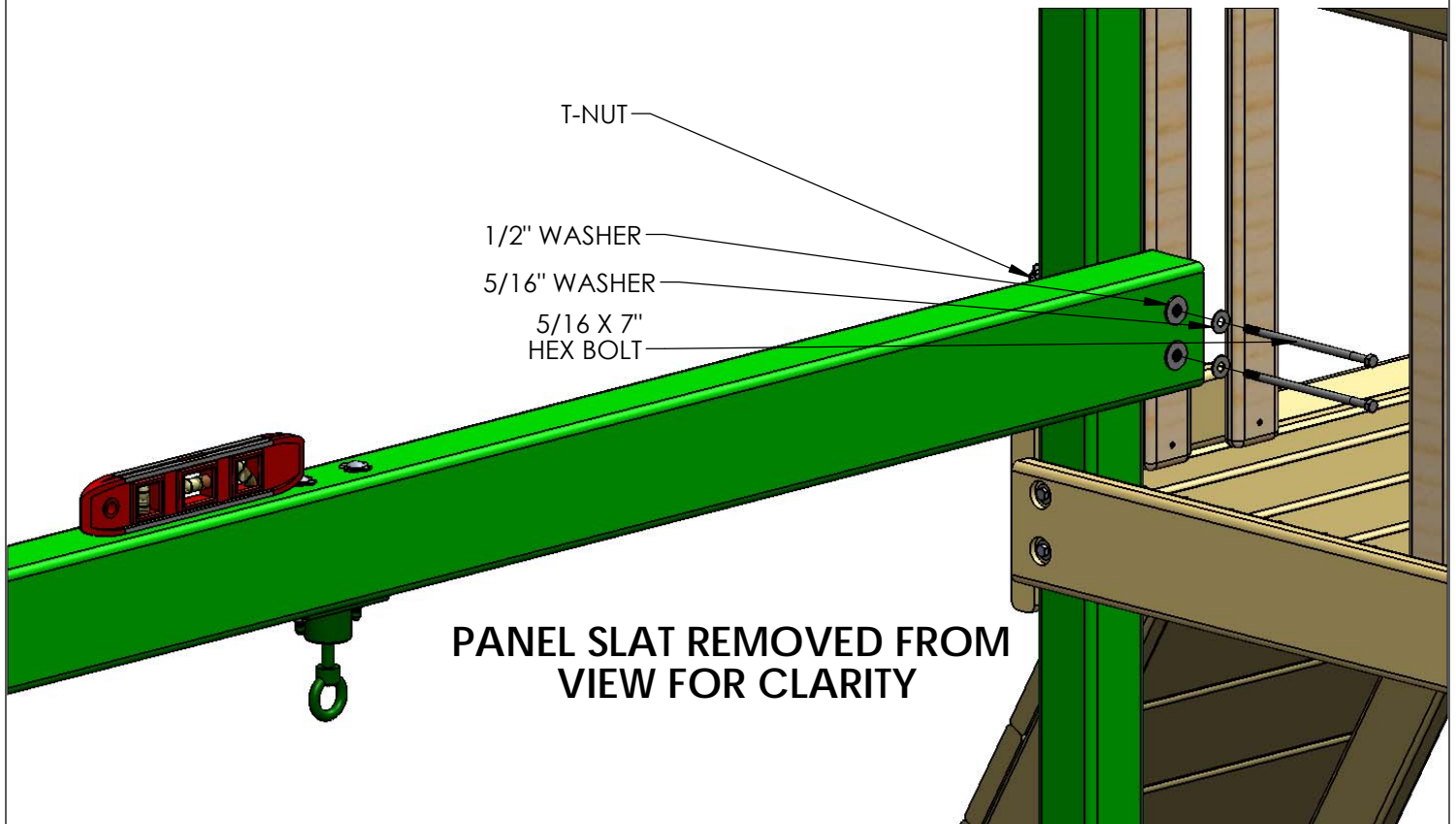
1: INSTALL T-NUTS IN THE PREVIOUSLY DRILLED HOLES AS SHOWN BELOW.

2: LINE UP THE PILOT HOLES AT THE END OF THE TIRE SWING BEAM WITH THE PREVIOUSLY DRILLED HOLES IN THE CORNER POST.

3: FASTEN THE TIRE SWING BEAM TO THE CORNER POST USING 5/16 X 7" HEX BOLTS WITH 5/16" AND 1/2" WASHERS THROUGH THE TIRE SWING BEAM AND CORNER POST, INTO THE T-NUTS.

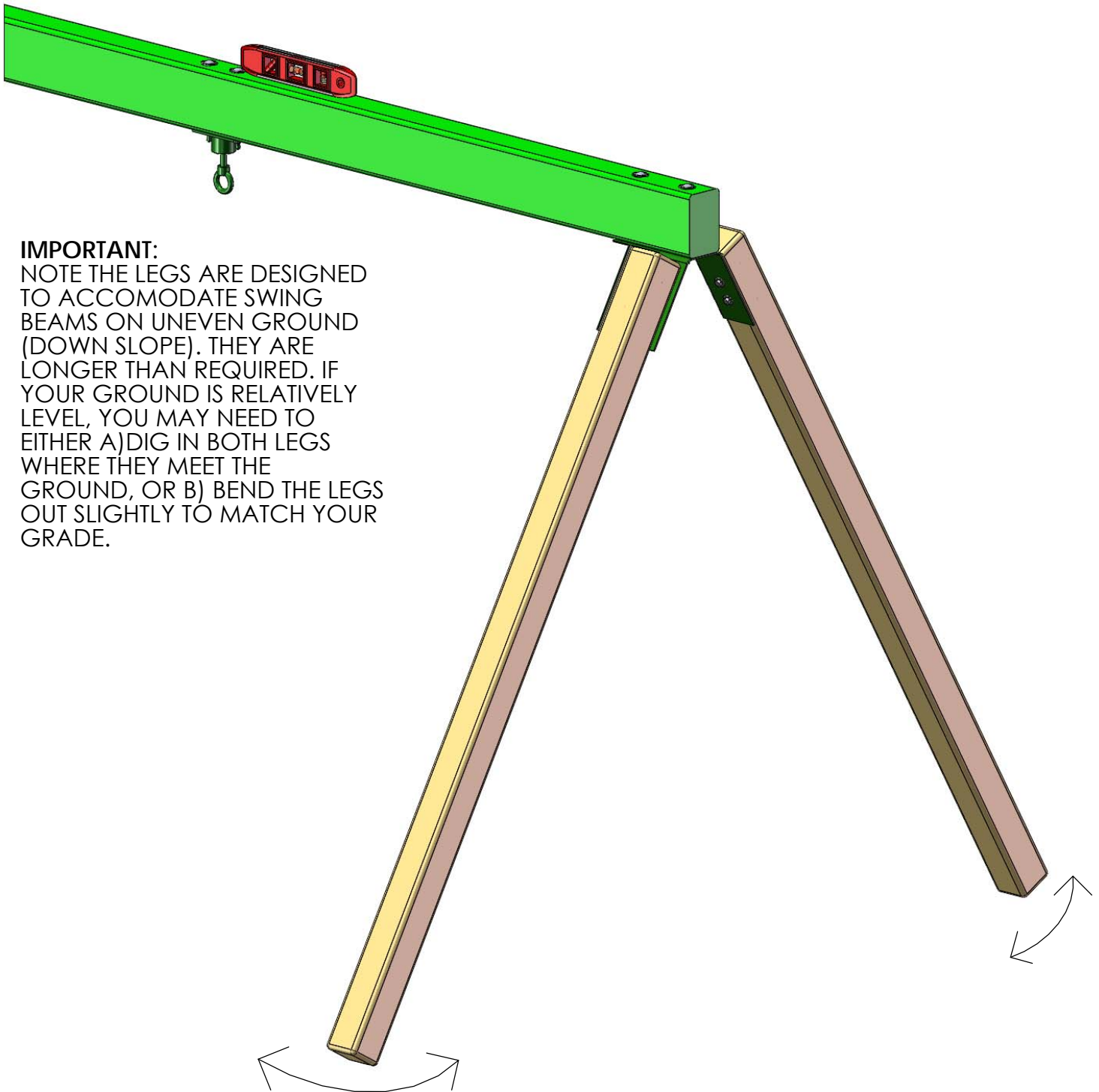
4: AFTER THE TIRE SWING BEAM HAS BEEN SECURED, INSTALL THE 5/4 X 3 X 28-1/4" PANEL SLAT FLUSH TO THE SIDE OF THE TIRE SWING BEAM WITH 2" WOOD SCREWS.

5: THE END OF THE 7" HEX BOLTS SHOULD NOT EXTEND PAST THE FLANGED SIDE OF THE T-NUT. IF IT DOES THEN PUT 5/16" BOLT CAPS OVER THE THREADED ENDS OF THE HEX BOLTS.



STEP 45: LEVEL TIRE SWING BEAM

1: PLACE A LEVEL ON TOP OF THE TIRE SWING BEAM AND ADJUST THE BEAM LEGS IN OR OUT AS NEEDED TO MAKE THE TIRE SWING BEAM LEVEL.



IMPORTANT:

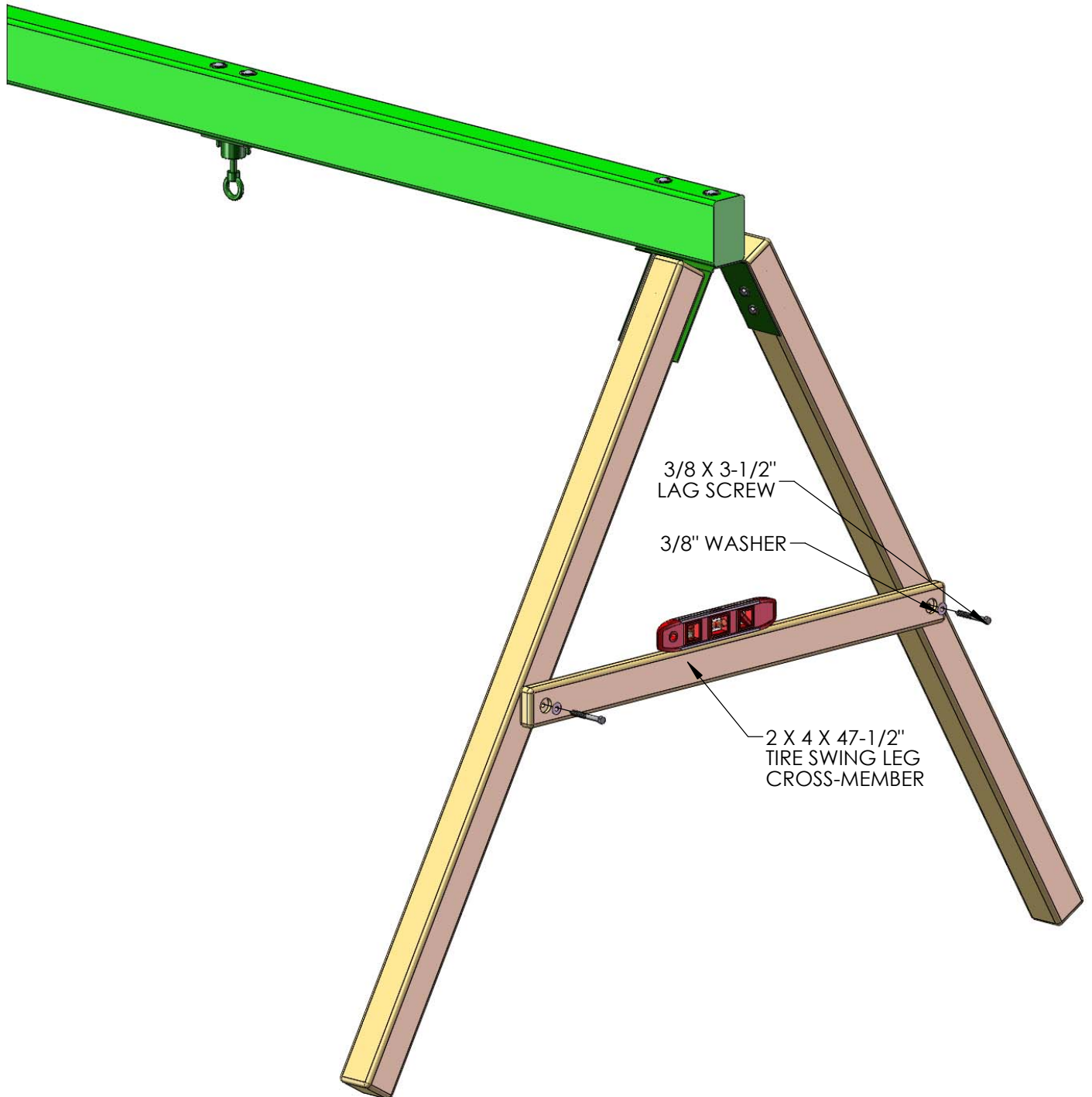
NOTE THE LEGS ARE DESIGNED TO ACCOMODATE SWING BEAMS ON UNEVEN GROUND (DOWN SLOPE). THEY ARE LONGER THAN REQUIRED. IF YOUR GROUND IS RELATIVELY LEVEL, YOU MAY NEED TO EITHER A) DIG IN BOTH LEGS WHERE THEY MEET THE GROUND, OR B) BEND THE LEGS OUT SLIGHTLY TO MATCH YOUR GRADE.

STEP 46: SWING LEG CROSS-MEMBER

1: POSITION THE 2 X 4 X 47-1/2" TIRE SWING LEG CROSS-MEMBER AGAINST THE SWING LEGS.

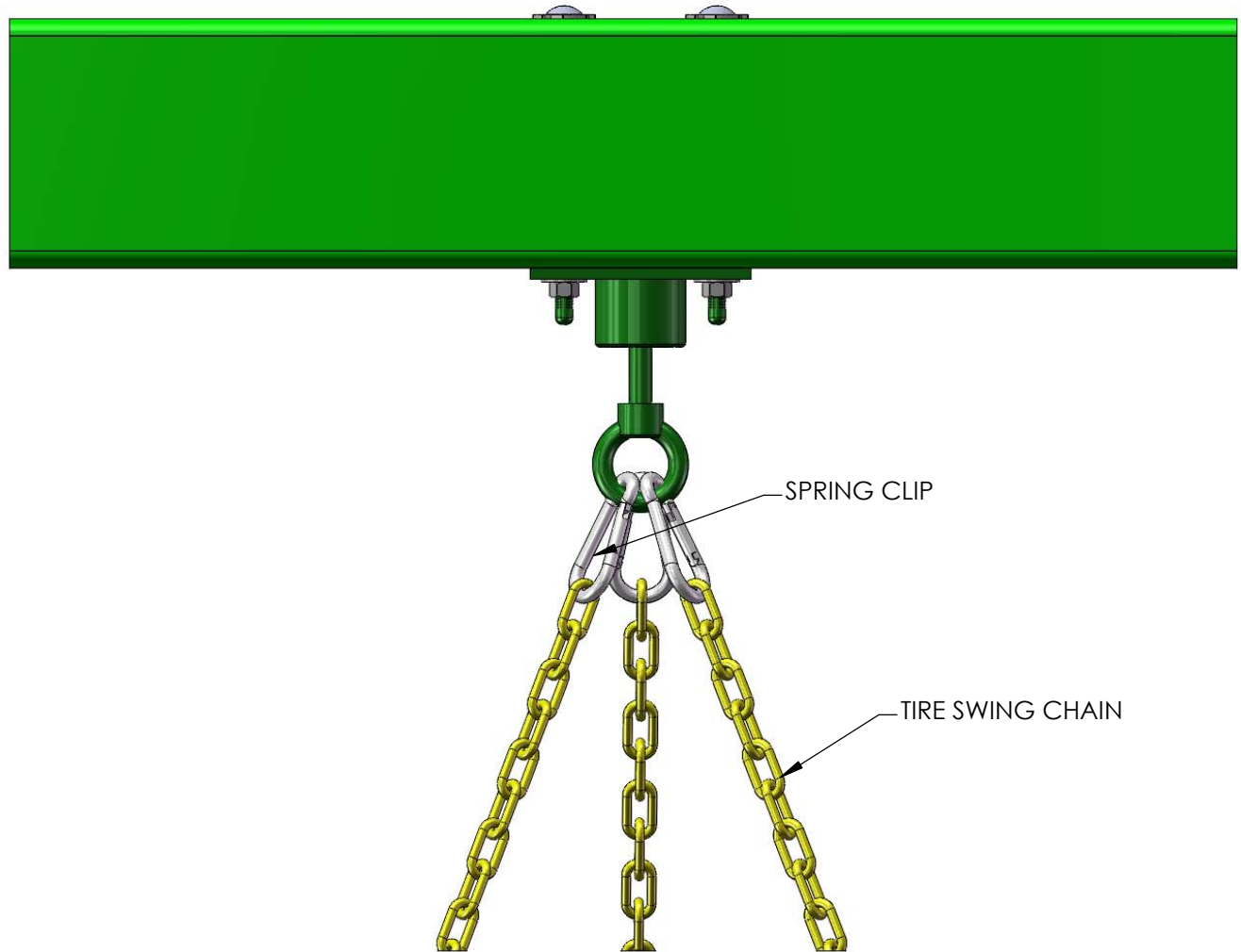
2: LEVEL THE TIRE SWING CROSS-MEMBER AND MARK THE LOCATION OF THE SECURING HOLES INSIDE THE CROSS-MEMBER HOLES ONTO THE SWING LEGS.

3: USE 3/8 X 3-1/2" LAG SCREWS WITH 3/8" WASHERS TO SECURE THE TIRE SWING CROSS-MEMBER TO THE SWING BEAM LEGS.



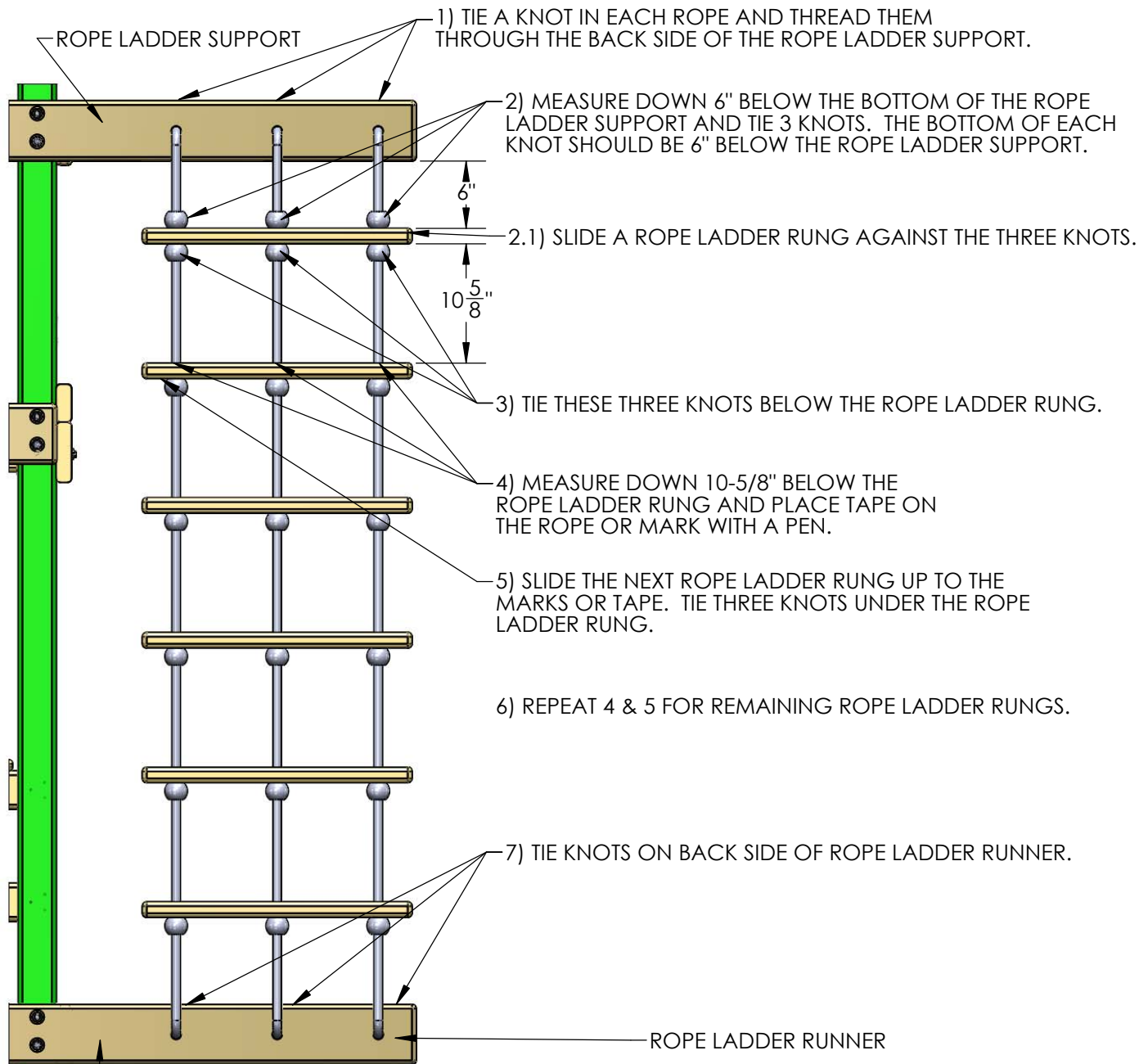
STEP 47: HANGING THE TIRE SWING

- 1: START BY ATTACHING THREE SPRING CLIPS TO THE TIRE SWIVEL ON THE SWING BEAM.
- 2: ATTACH ONE CHAIN AT A TIME TO ONE SPRING CLIP.
- 3: ADJUST HEIGHT AS NEEDED.



STEP 48: ROPE LADDER

- 1: FIND THREE ROPE LADDER ROPES. MAKE A KNOT IN THE END OF EACH ROPE AND THREAD THE FREE END THROUGH THE BACK SIDE OF THE ROPE LADDER SUPPORT. PULL EACH ROPE TAUGHT.
- 2: MEASURE DOWN FROM THE BOTTOM OF THE ROPE LADDER SUPPORT 6 INCHES AND TIE A KNOT. THE BOTTOM OF THE KNOT SHOULD BE 6 INCHES BELOW THE ROPE LADDER SUPPORT. SLIDE EACH ROPE THROUGH THE HOLES IN ONE ROPE LADDER RUNG. SLIDE THE RUNG UP AGAINST THE BOTTOM OF THE KNOTS.
- 3: TIE THREE KNOTS BELOW THE ROPE LADDER RUNG.
- 4: MEASURE DOWN FROM THE BOTTOM OF THE ROPE LADDER RUNG 10-5/8 INCHES AND MAKE A MARK ON THE ROPE WITH A PIECE OF TAPE OR A MARKER. THREAD ANOTHER ROPE LADDER RUNG ONTO THE ROPES.
- 5: WITH THE TOP OF THE RUNG EVEN WITH THE 10-5/8" MARK TIE THREE KNOTS BELOW THE SECOND ROPE LADDER RUNG.
- 6: REPEAT SUBSTEPS 4-5 FOR THE REMAINING ROPE LADDER RUNGS.
- 7: THREAD THE BOTTOM END OF EACH ROPE THROUGH THE HOLES IN THE ROPE LADDER RUNNER AND TIE THEM OFF. GRAB EACH ROPE AND ATTEMPT TO WRAP IT AROUND YOUR HAND. IF THE ROPE WRAPS AROUND YOUR HAND IT IS TOO LOOSE. IF THE ROPE IS TOO LOOSE UNTIE THE KNOT BEHIND THE ROPE LADDER RUNNER AND RETIE IT UNTIL YOU CAN NO LONGER WRAP THE ROPE AROUND YOUR HAND.



THIS IS THE VIEW AS IF YOU WERE STANDING AT THE FRONT - RIGHT OF THE PLAY SET

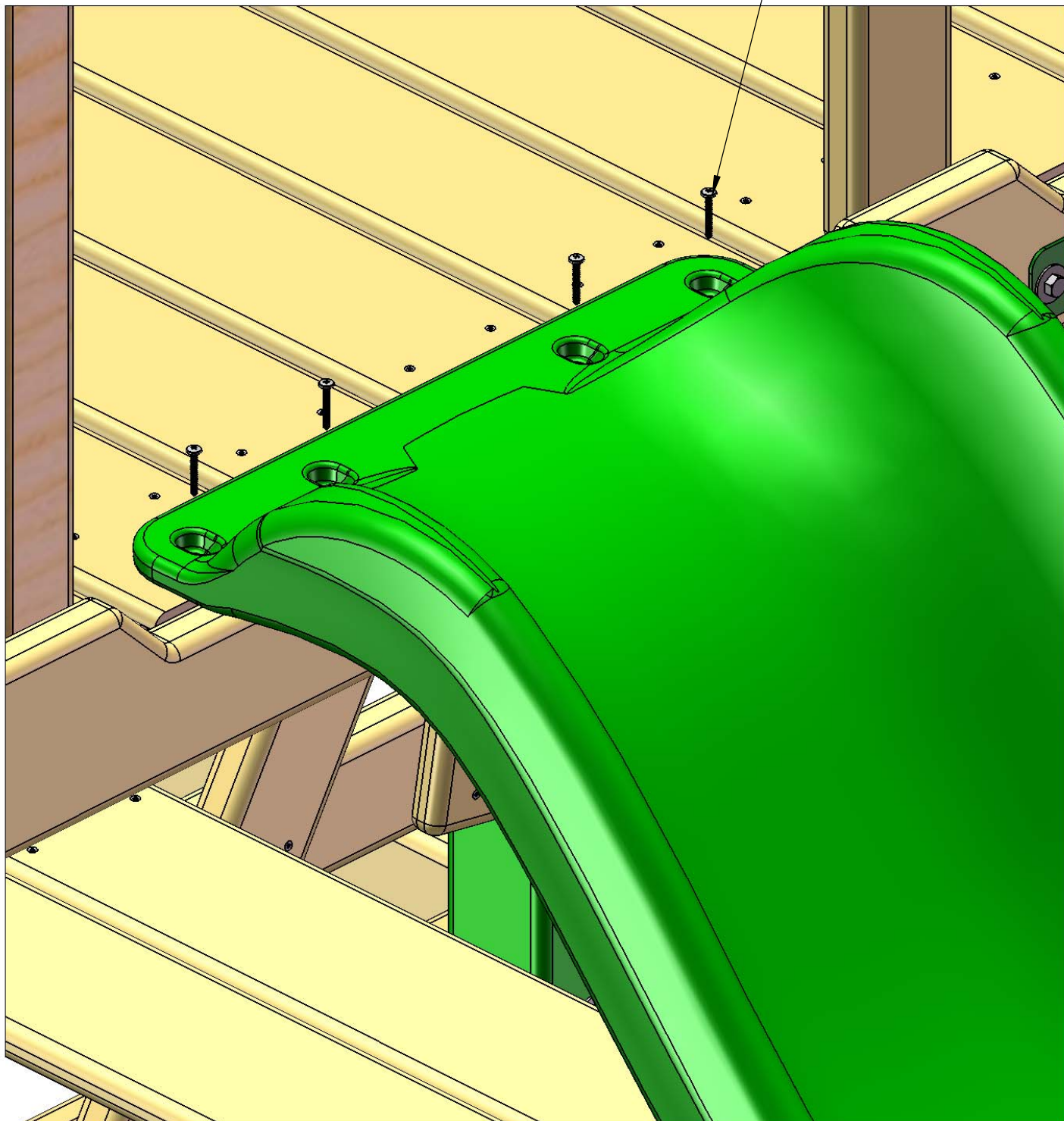
STEP 49: MOUNTING THE SLIDE

1: PLACE THE SLIDE IN THE OPENING AT THE FRONT-LEFT OF THE FORT. LAY THE SLIDE ON THE DECK WITH THE LIP EXTENDING ONTO THE DECK.

2: PREDRILL 1/8" HOLES INTO THE DECK BOARDS AT THE SCREW LOCATIONS.

3: ATTACH THE SLIDE TO THE DECK BOARDS WITH 1-1/4" PAN HEAD SCREWS. ****DO NOT OVERTIGHTEN****

1-1/4" PAN HEAD SCREW
****DO NOT OVERTIGHTEN****

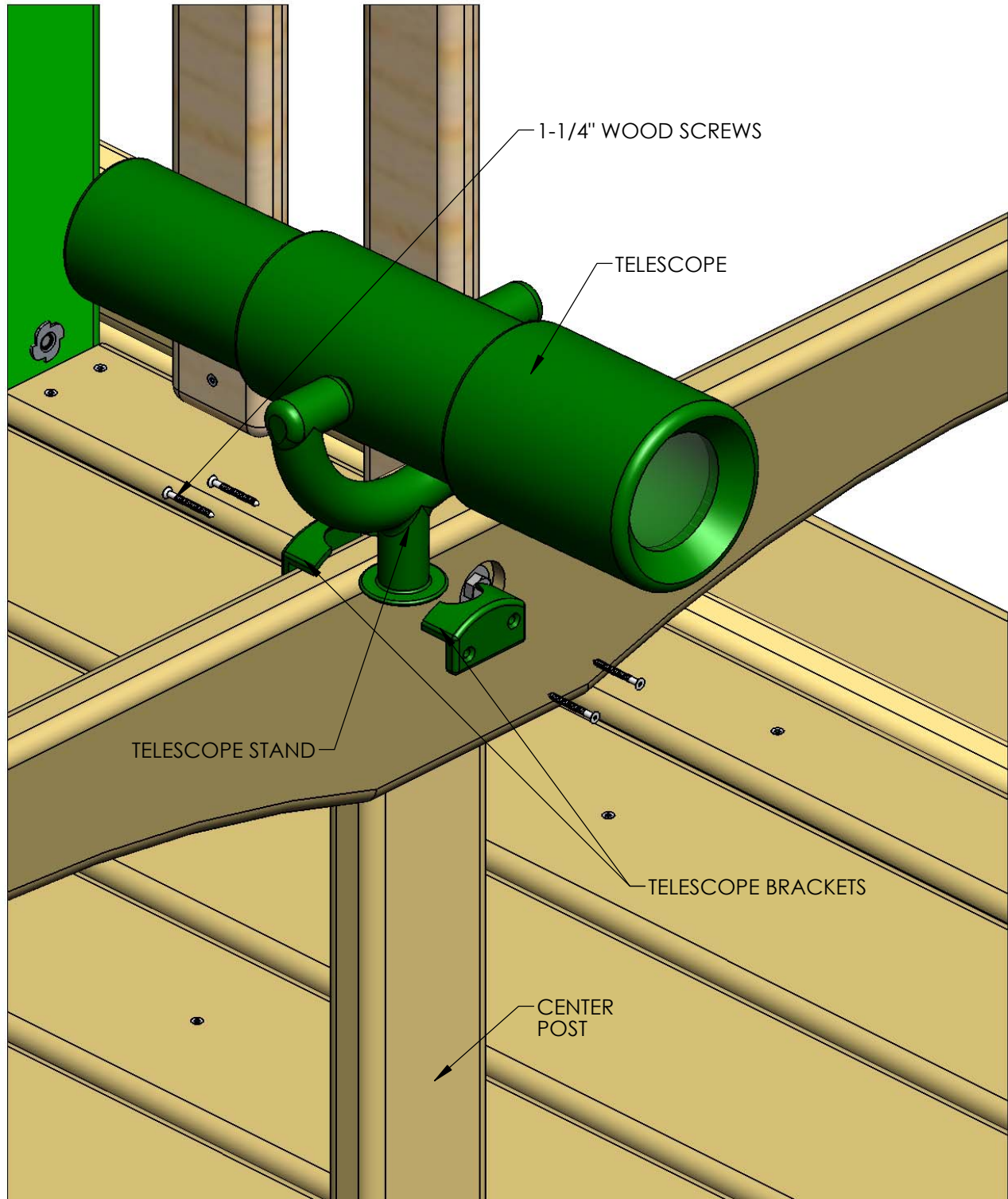


STEP 50: MOUNTING THE TELESCOPE

1: WITH THE 1-1/4" WOOD SCREWS PROVIDED IN THE TELESCOPE BAG, FASTEN ONE OF THE SQUARE TELESCOPE BRACKETS TO THE FRONT TOP PANEL BOARD ON THE SLIDE SIDE OF THE CENTER POST.

2: PLACE THE TELESCOPE STAND AND TELESCOPE INTO THE SLOT OF THE TELESCOPE BRACKET.

3: FASTEN THE REMAINING TELESCOPE BRACKET TO THE OPPOSITE SIDE THAT THE FIRST TELESCOPE BRACKET WAS INSTALLED ON WITH 1-1/4" WOOD SCREWS PROVIDED WITH THE TELESCOPE.



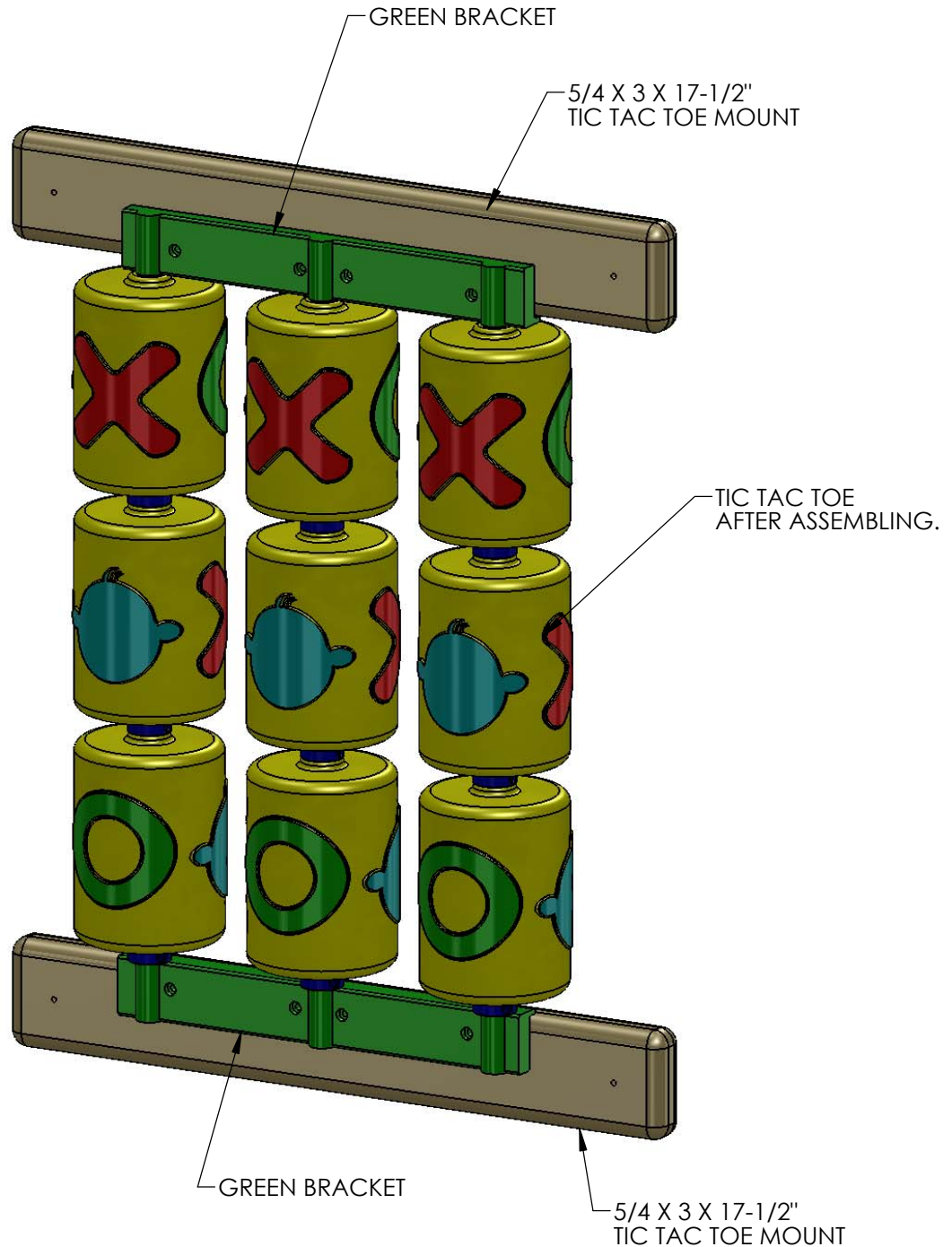
STEP 51: TIC TAC TOE ASSEMBLY

1: LOCATE THE TIC TAC TOE BOX.

2: FOLLOW THE INSTRUCTIONS IN THE BOX TO ASSEMBLE THE TIC TAC TOE OMITTING STEPS 6 AND 7.

3: LOCATE TWO 5/4 X 3 X 17-1/2" TIC TAC TOE MOUNTS.

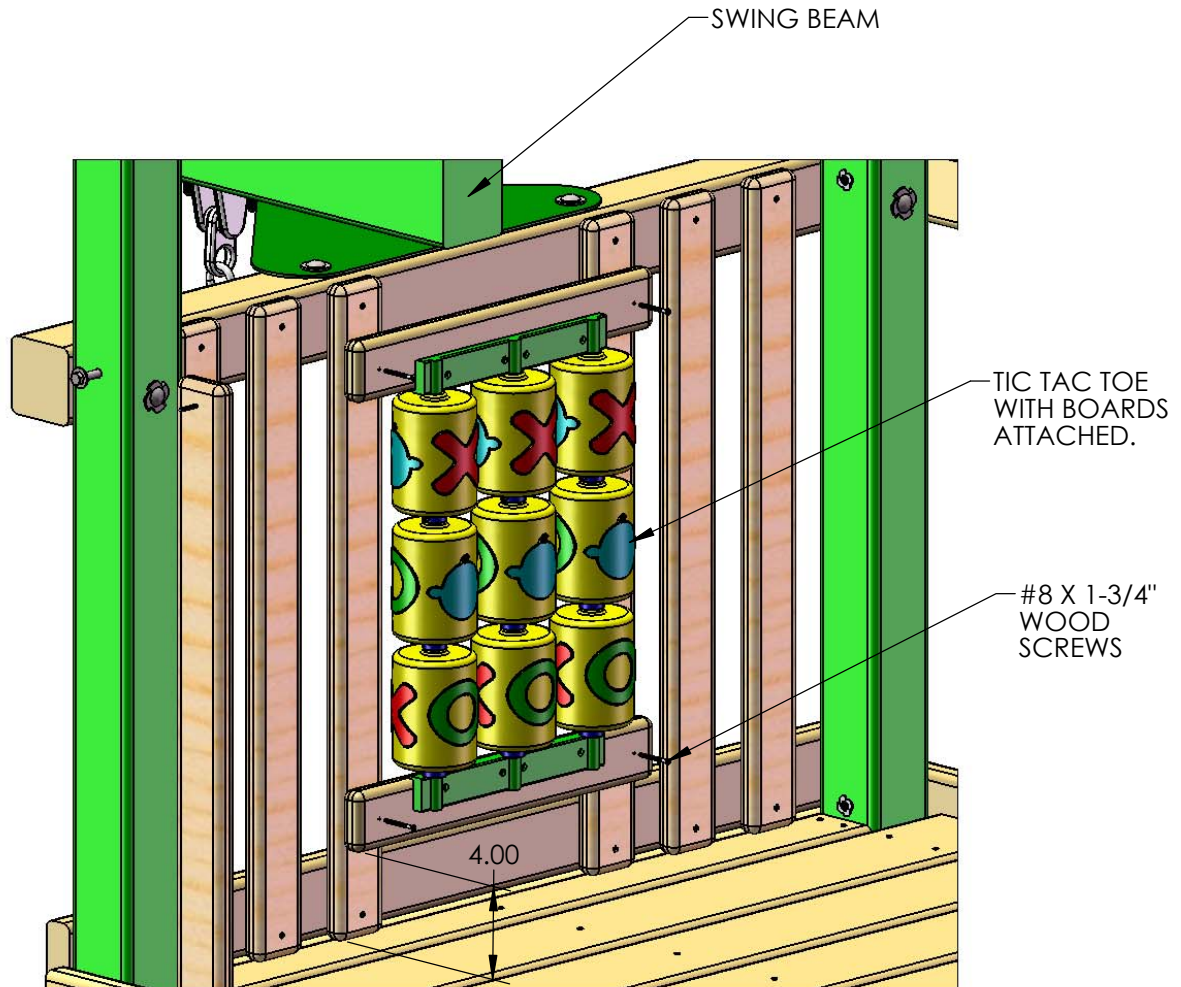
4: USE THE SCREWS INCLUDED WITH THE TIC TAC TOE TO ATTACH THE GREEN BRACKETS TO THE TIC TAC TOE MOUNTS. EACH GREEN BRACKET SHOULD BE CENTERED OVER THE TIC TAC TOE MOUNT.



STEP 52: TIC TAC TOE INSTALLATION

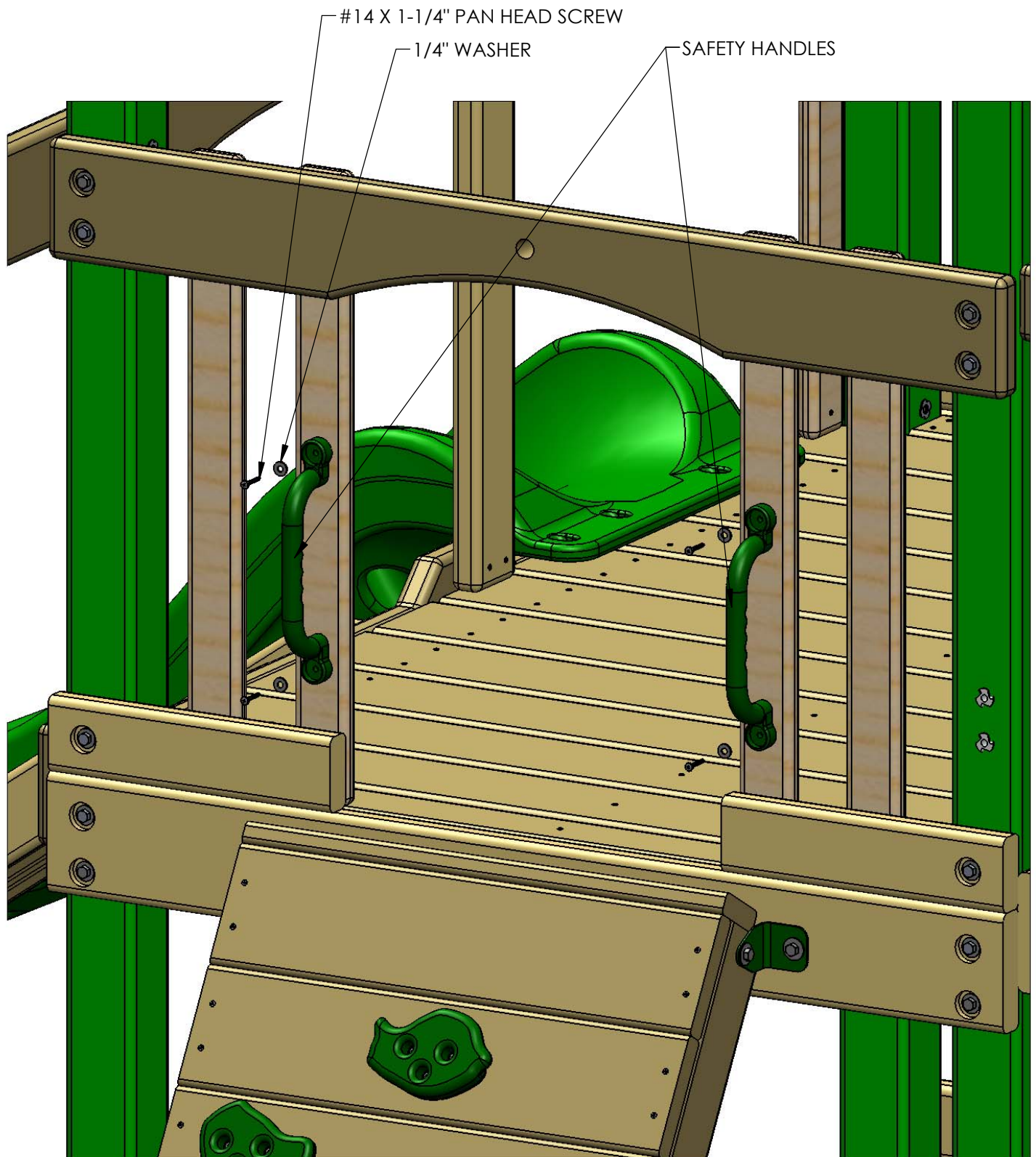
1: PLACE THE TIC TAC TOE AGAINST THE PANEL SLATS AT THE LEFT SIDE OF THE PLAY SET ON THE INSIDE. THE TIC TAC TOE MOUNT SHOULD BE APPROXIMATELY 4" OFF THE DECK.

2: ATTACH THE TIC TAC TOE MOUNTS TO THE PANEL SLATS WITH #8 X 1-3/4" WOOD SCREWS.



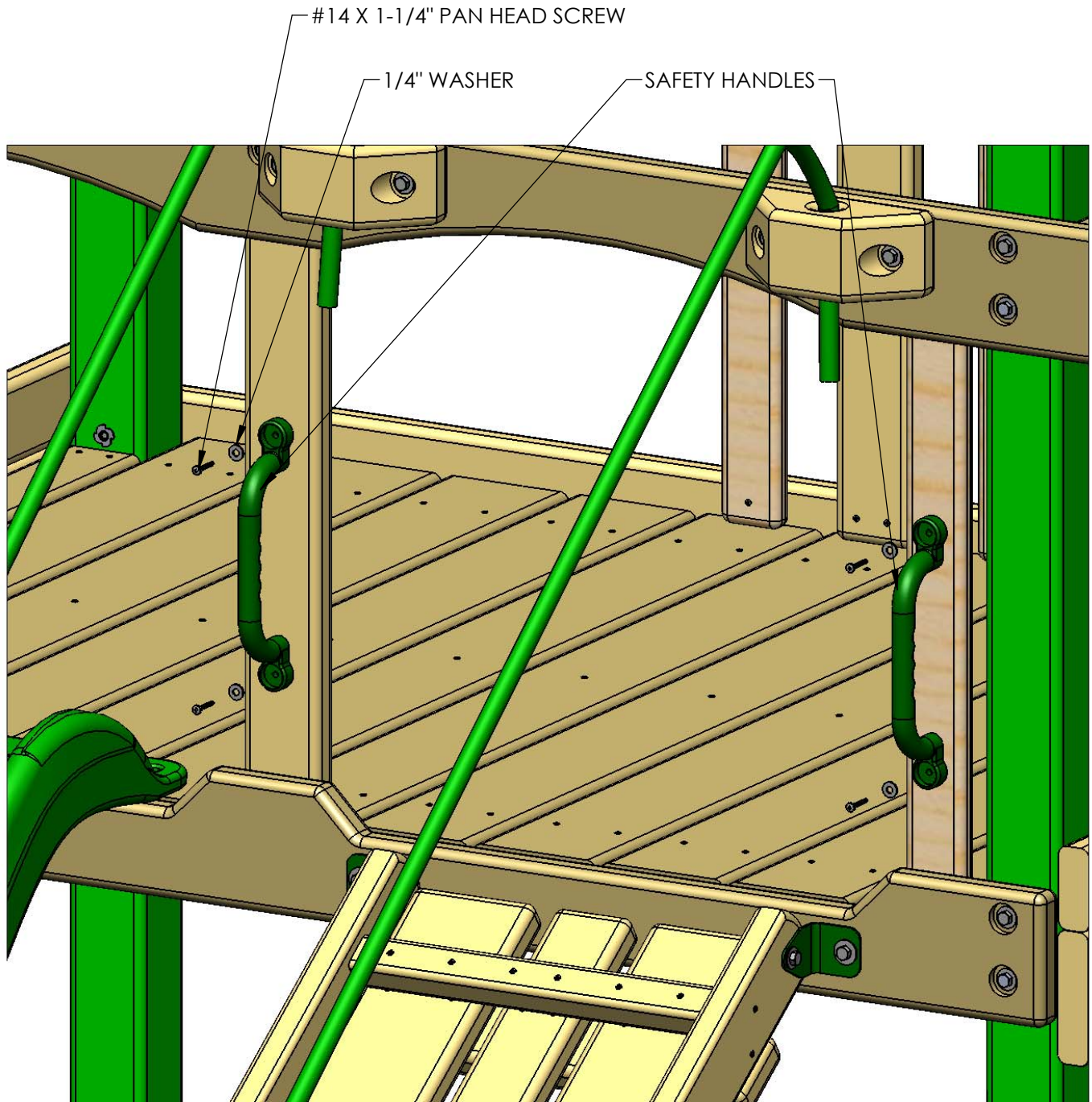
STEP 53: SAFETY HANDLES

- 1: LOCATE THE SAFETY HANDLE BAG.
- 2: ADJUST THE SAFETY HANDLES UP OR DOWN TO SUIT THE NEEDS OF YOUR CHILD.
- 3: ATTACH EACH SAFETY HANDLE TO THE PANEL SLATS WITH TWO PAN HEAD SCREWS AND TWO WASHERS PROVIDED WITH THE SAFETY HANDLES.



STEP 54: SAFETY HANDLES (RAMP)

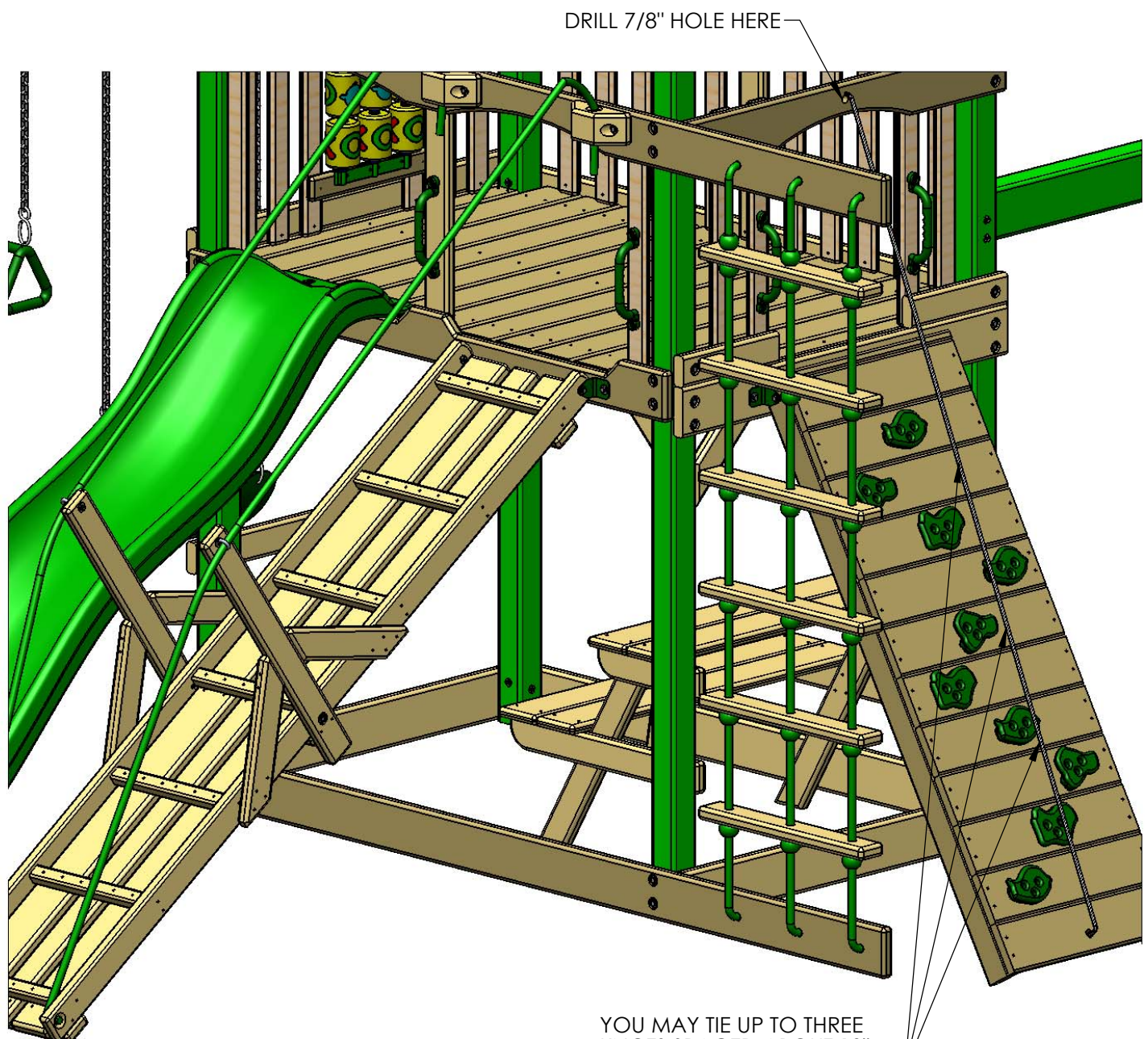
- 1: LOCATE THE SECOND SAFETY HANDLE BAG.
- 2: ADJUST THE SAFETY HANDLES UP OR DOWN TO SUIT THE NEEDS OF YOUR CHILD.
- 3: ATTACH EACH SAFETY HANDLE TO THE CENTER POST AND PANEL SLAT WITH TWO PAN HEAD SCREWS AND TWO WASHERS PROVIDED WITH THE SAFETY HANDLES.



STEP 55: INSTALLING CLIMBING ROPE

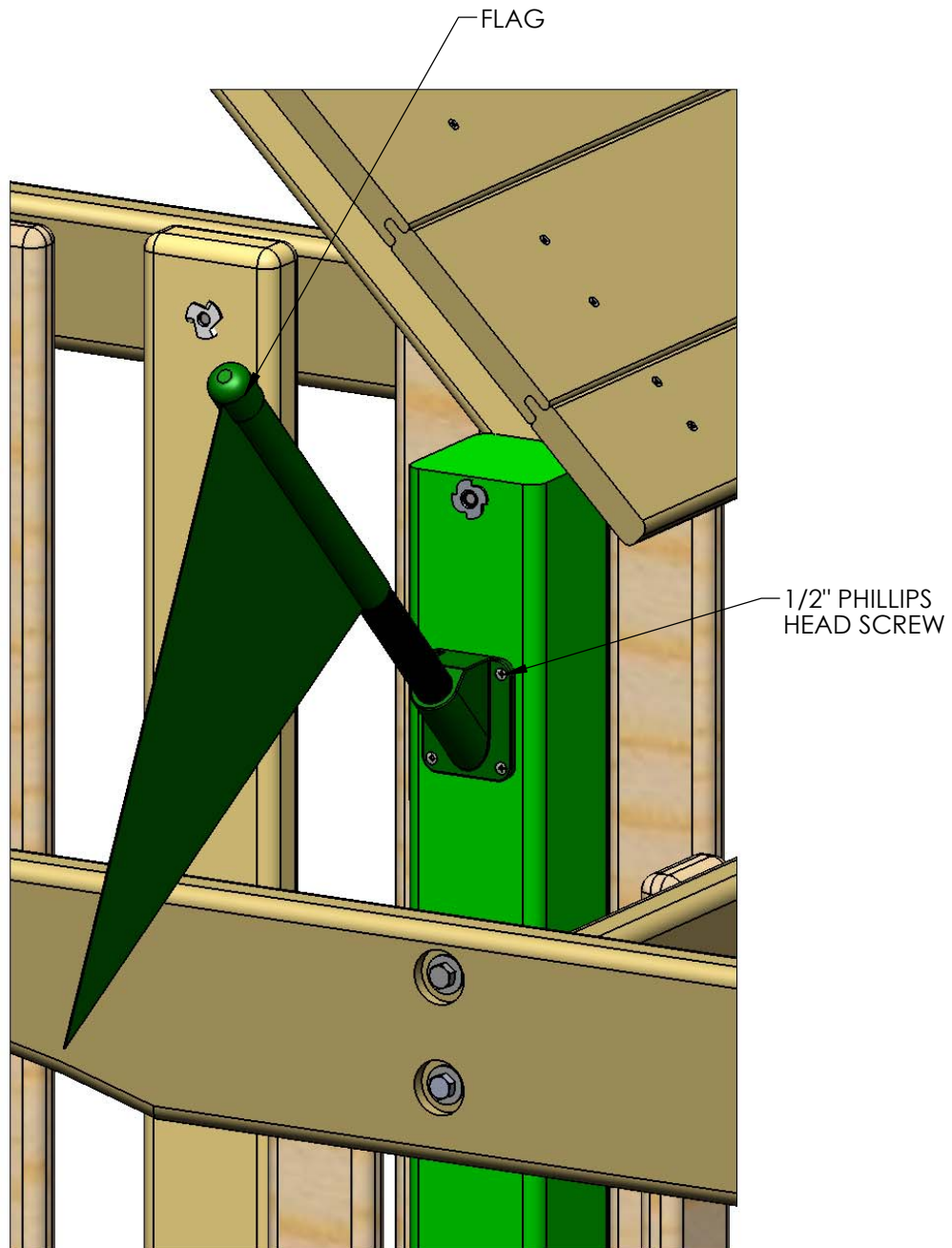
- 1: DRILL A 7/8" HOLE THROUGH THE END PANEL BOARD (ABOVE THE ROCK WALL) FOR THE CLIMBING ROPE.
- 2: TIE A KNOT AT ONE END OF THE 10' ROPE AND THREAD IT THROUGH THE HOLE IN THE END PANEL BOARD.
- 3: THE UNTIED END WILL GO THROUGH THE HOLE OF THE BOTTOM ROCK WALL BOARD. TIE A SECURE KNOT AT THE END MAKING SURE THAT THE ROPE IS TIGHT AND WILL NOT WRAP AROUND YOUR HAND. HINT: TO REDUCE THE AMOUNT OF SLACK IN THE ROPE, LIFT THE ROCK WALL ASSEMBLY SLIGHTLY WHEN TYING THE KNOT IN THE BOTTOM ROCK WALL BOARD. WHEN YOU LOWER THE ASSEMBLY, THE ROPE WILL TIGHTEN.

IF THERE IS A LARGE AMOUNT OF EXCESS ROPE ON ROCK WALL, YOU CAN TIE THREE KNOTS APPROXIMATELY 18" APART ON THE ROCK WALL TO AID YOUR CHILD IN CLIMBING.



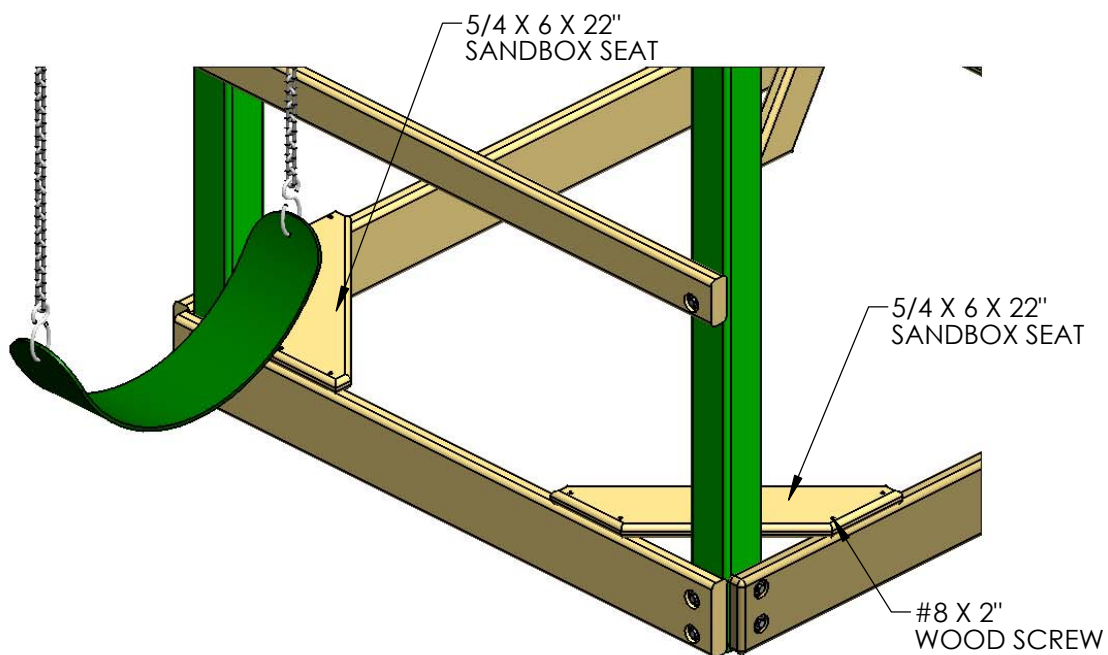
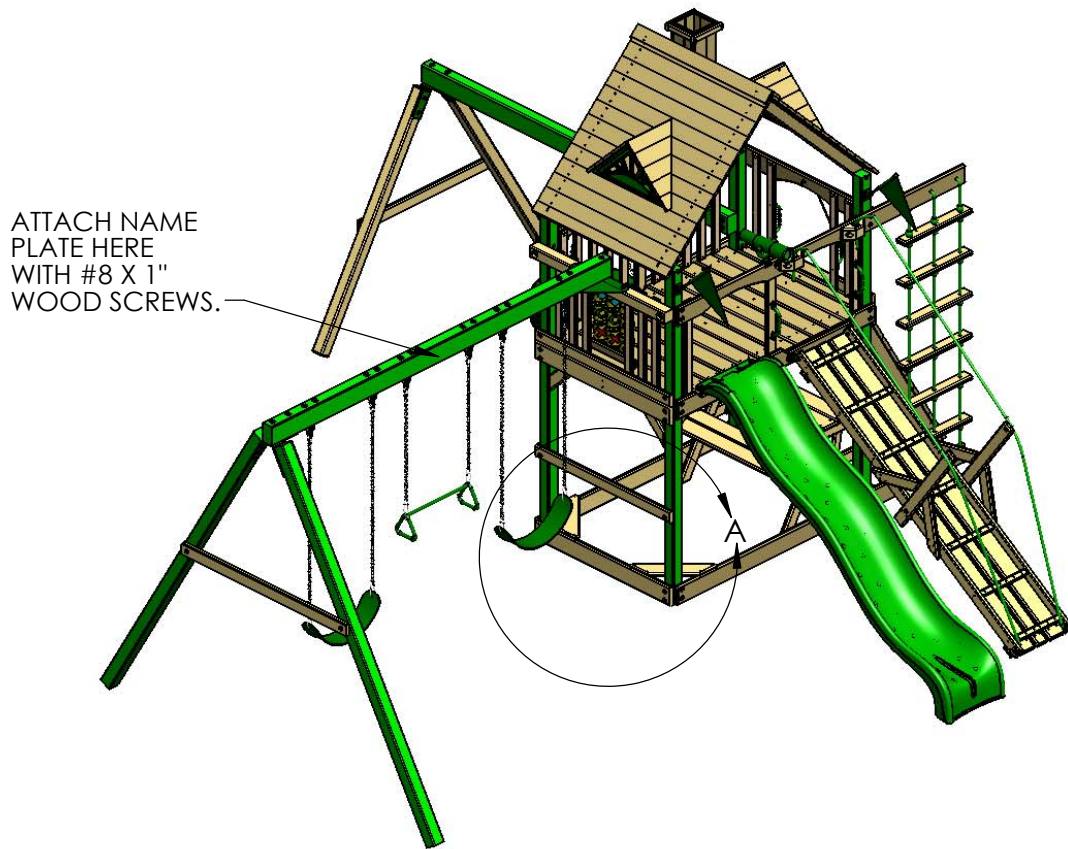
STEP 56: FLAG KIT

- 1: PLACE A FLAG ON THE CORNER POSTS AT THE FRONT OF THE FORT.
- 2: ATTACH THE BASE OF THE FLAG WITH THE 1/2" PHILLIPS HEAD SCREWS PROVIDED.
****DO NOT OVER-TIGHTEN****



STEP 57: SANDBOX SEATS AND NAMEPLATE

- 1: PLACE THE 5/4 X 6 X 22" SANDBOX SEATS ONTO THE TOP OF THE SANDBOX BOARDS AS SHOWN BELOW.
- 2: ATTACH THE SANDBOX SEATS TO THE SANDBOX BOARDS WITH #8 X 2" WOOD SCREWS.
- 3: LOCATE THE NAME PLATE FOR YOUR PLAY SET. ATTACH THE NAME PLATE TO THE FRONT OF THE SWING BEAM WITH #8 X 1" WOOD SCREWS.



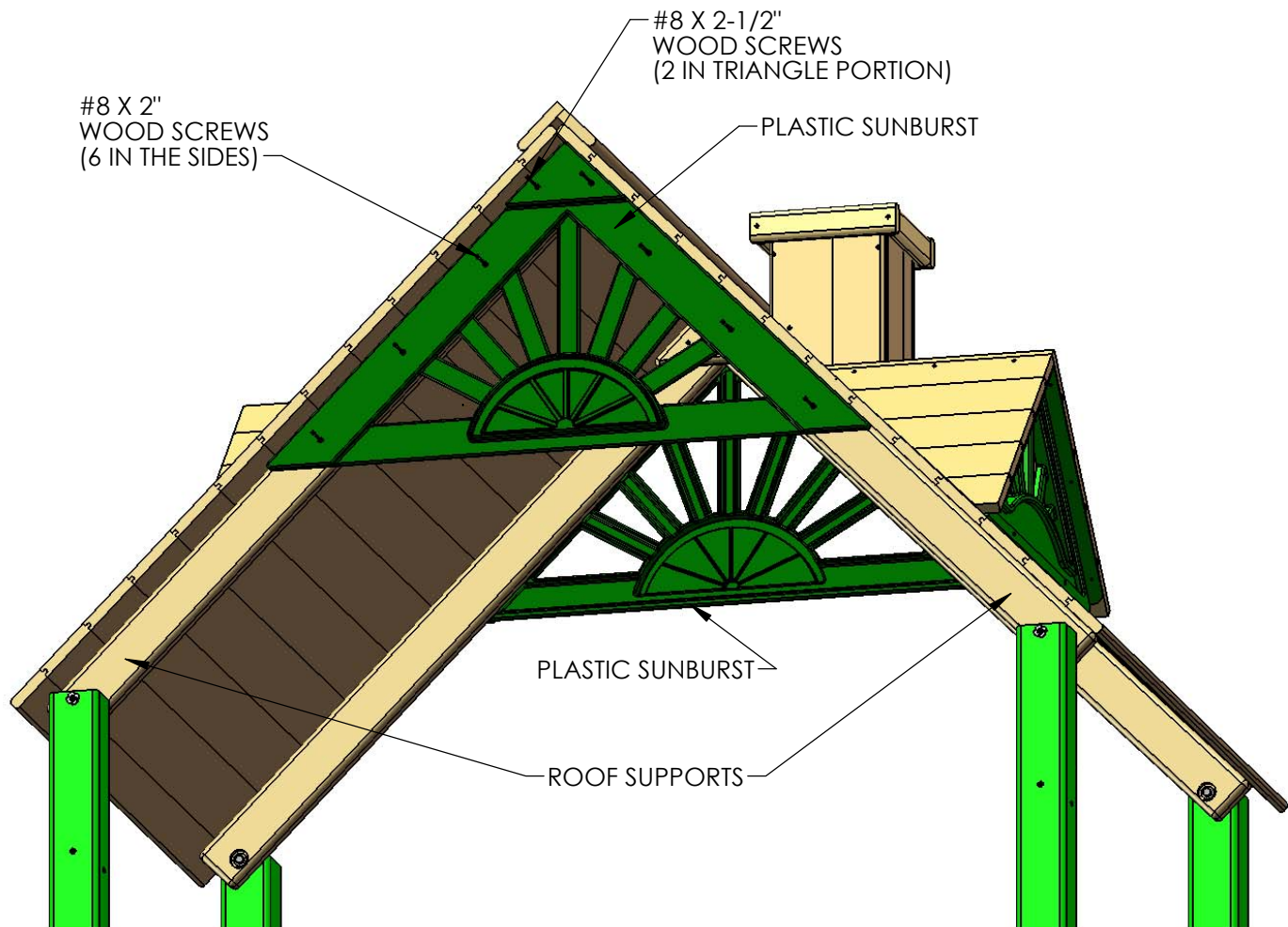
STEP 58: PLASTIC SUNBURST

1: LOCATE TWO PLASTIC SUNBURST PIECES.

2: PLACE THE SUNBURST UNDER THE ROOF OVERHANG. FIT IT AGAINST THE BOTTOM SIDE OF THE ROOF BOARDS AND AGAINST THE ROOF SUPPORTS.

3: ATTACH THE PLASTIC SUNBURST WITH SIX #8 X 2" WOOD SCREWS ALONG THE SIDES. ATTACH THE TRIANGLE PORTION OF THE SUNBURST WITH #8 X 2-1/2" WOOD SCREWS.

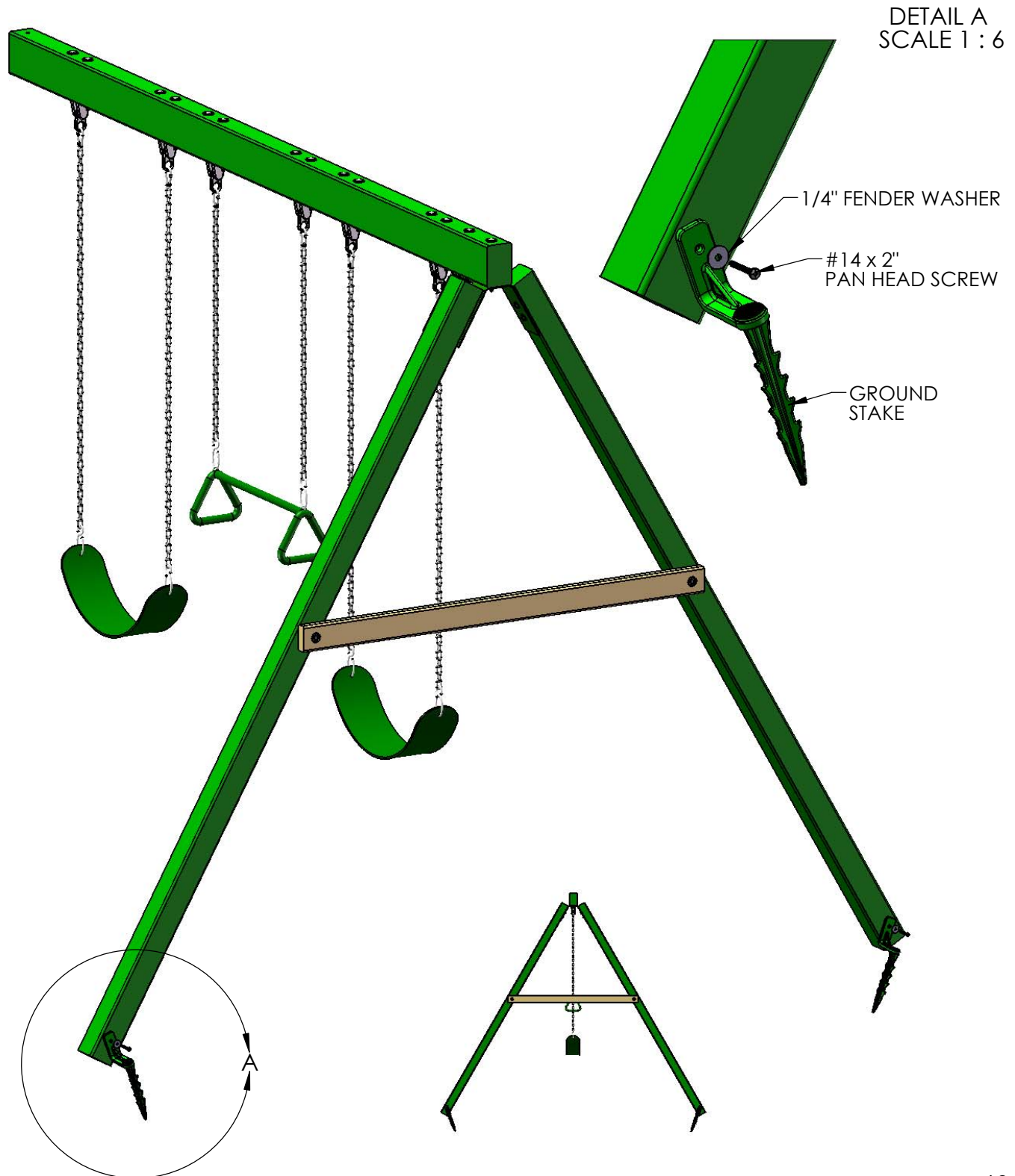
4: REPEAT SUBTEPS 2 AND 3 ON THE OTHER SIDE OF THE PLAY SET.



STEP 59: GROUND STAKES

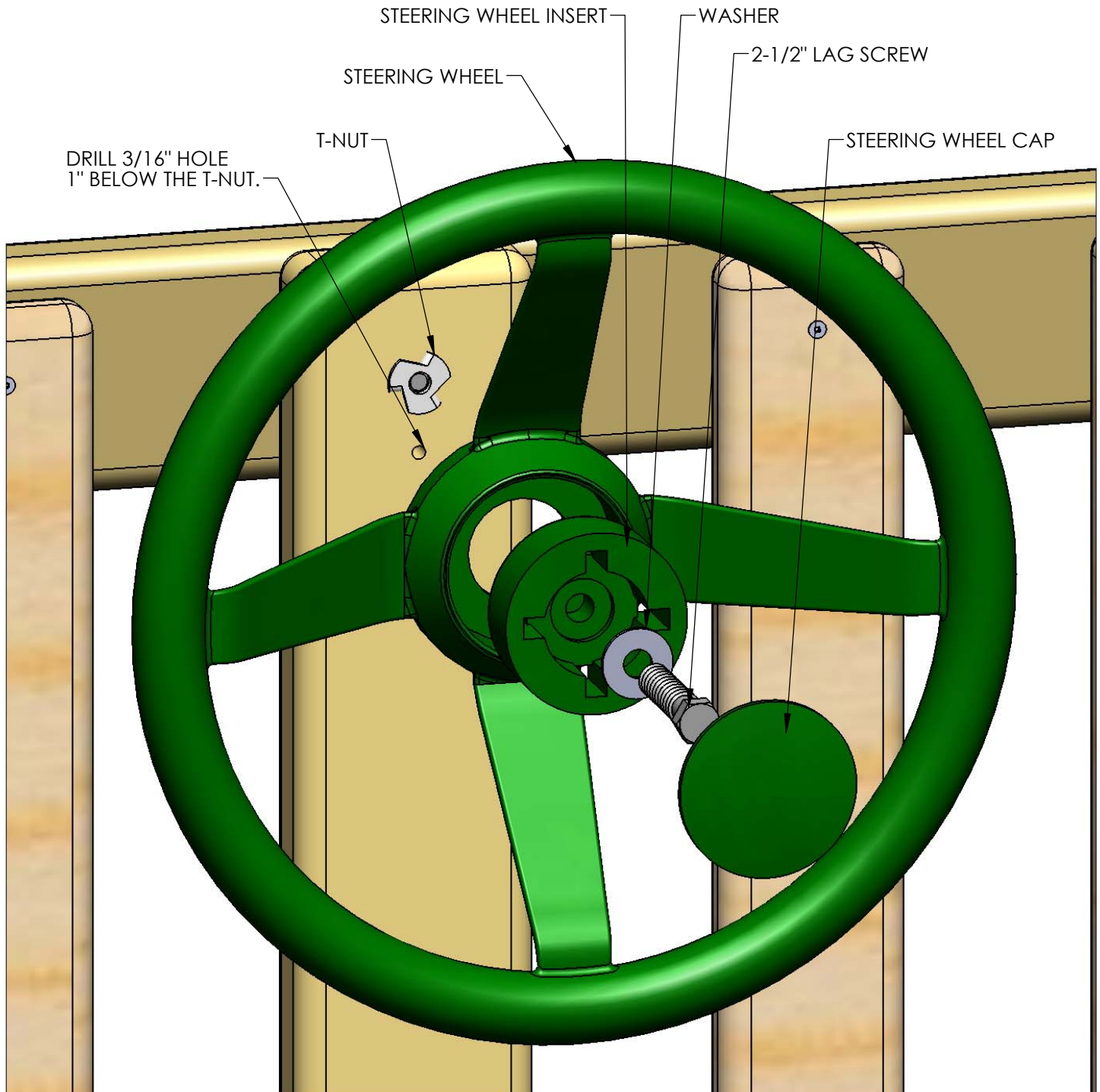
1: HAMMER A GROUND STAKE INTO THE EARTH NEXT TO EACH SWING LEG AT AN ANGLE. DO NOT HOLD THE UPPER PORTION OF THE STAKE AFTER THE FIRST COUPLE OF HITS OR IT MAY VIBRATE HARSHLY AGAINST YOUR HAND. IF THE TOP PART OF THE STAKE TWISTS WHEN IT ENCOUNTERS A ROCK OR ROOT YOU MAY HAVE TO BEND THE TOP PORTION OF THE STAKE AGAINST THE SWING LEG. FINALLY INSTALL THE SCREW AND WASHER.

2: ATTACH EACH GROUND STAKE TO THE SWING LEG WITH A #14 X 2" PAN HEAD SCREW AND A 1/4" FENDER WASHER PROVIDED WITH THE GROUND STAKE.



STEP 60: STEERING WHEEL

- 1: GO TO THE REAR CENTER POST ON THE DECK.
- 2: DRILL A 3/16" PILOT HOLE 1" BELOW THE CENTER OF THE T-NUT. DRILL THE HOLE 2" DEEP.
- 3: PLACE THE STEERING WHEEL INSERT INSIDE THE STEERING WHEEL.
- 4: USE THE 2-1/2" LAG SCREW AND WASHER TO FASTEN THE STEERING WHEEL TO THE REAR CENTER POST. DO NOT OVER-TIGHTEN THE LAG SCREW OR THE STEERING WHEEL WILL NOT TURN.
- 5: PLACE THE STEERING WHEEL CAP OVER THE CENTER OF THE STEERING WHEEL AND SNAP IT INTO THE STEERING WHEEL INSERT.

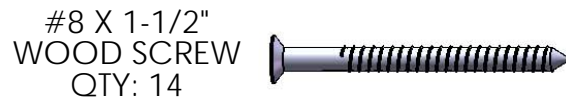
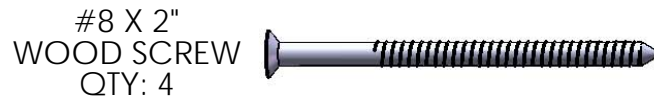


APPENDIX

Chimney and Dormers

Hardware Kit

8/10/2015 JH



#2 SQUARE
DRIVE BIT
QTY: 1

9

8

7

6

5

4

3

2

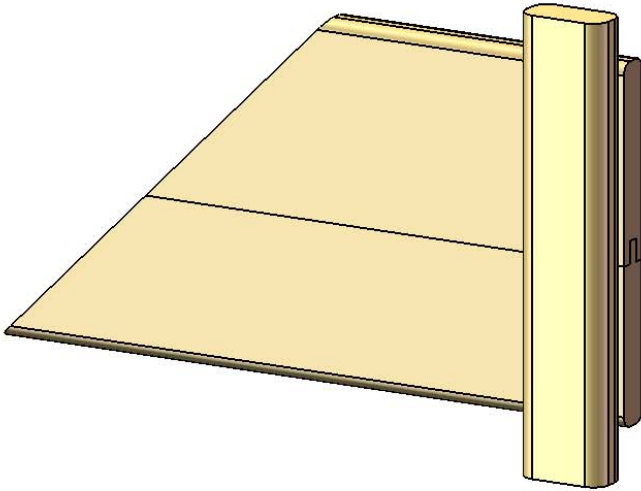
1

USE THE RULER TO THE RIGHT TO MEASURE YOUR BOLTS AND SCREWS. PICTURE VIEWS SHOWN ABOVE ARE 1:1 SCALE AND CAN BE USED TO MATCH BOLT AND SCREW SIZES.

PICTURE

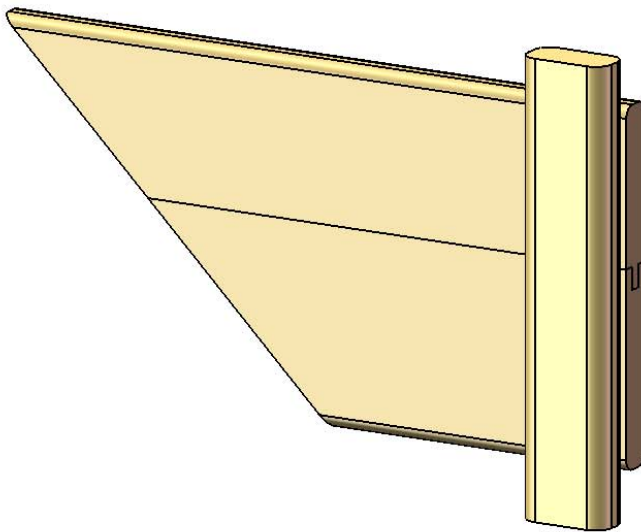
DESCRIPTION

QTY.



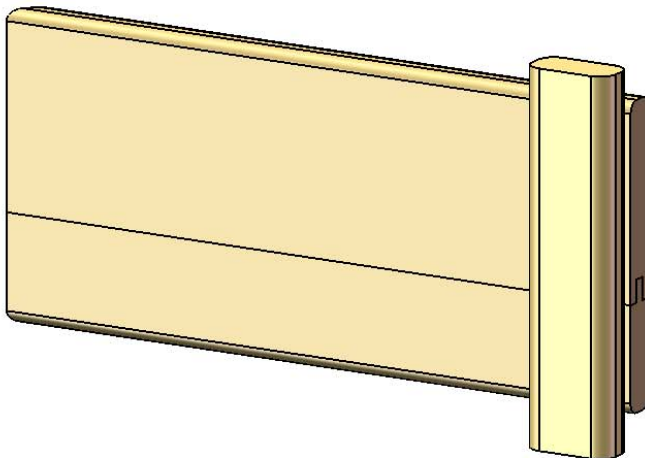
CHIMNEY
LEFT SIDE
ASSEMBLY

1



CHIMNEY
RIGHT SIDE
ASSEMBLY

1



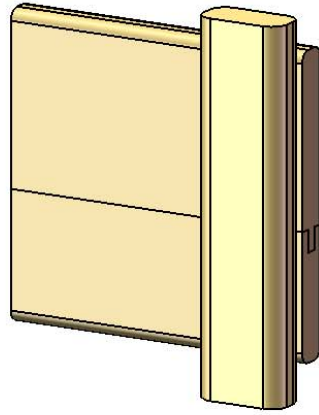
CHIMNEY
FRONT
ASSEMBLY

1

PICTURE

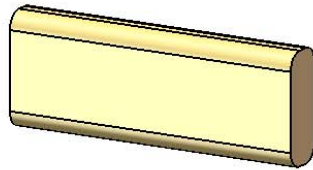
DESCRIPTION

QTY.



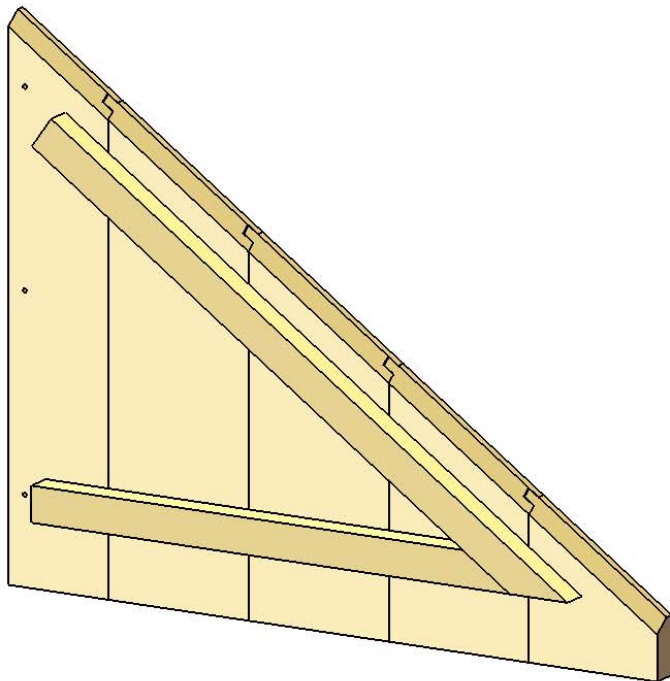
CHIMNEY
REAR
ASSEMBLY

1



5/4X3X6-3/4"
CHIMNEY
MOUNTING
BLOCK

1



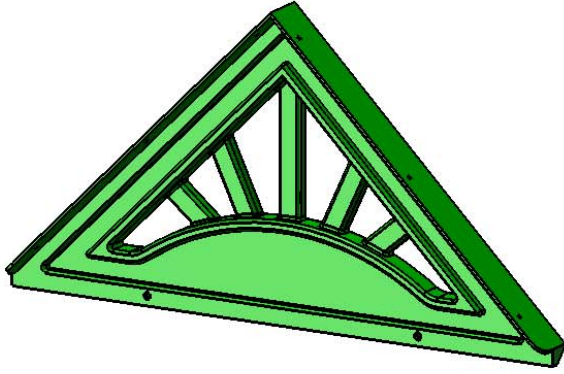
DORMER
LEFT SIDE
ASSEMBLY

2

PICTURE

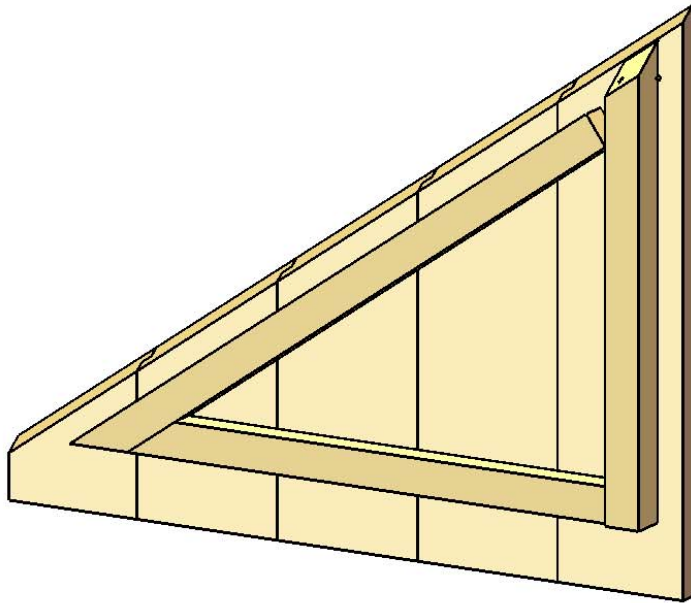
DESCRIPTION

QTY.



PLASTIC
DORMER
SUNBURST
(07-0031)

2

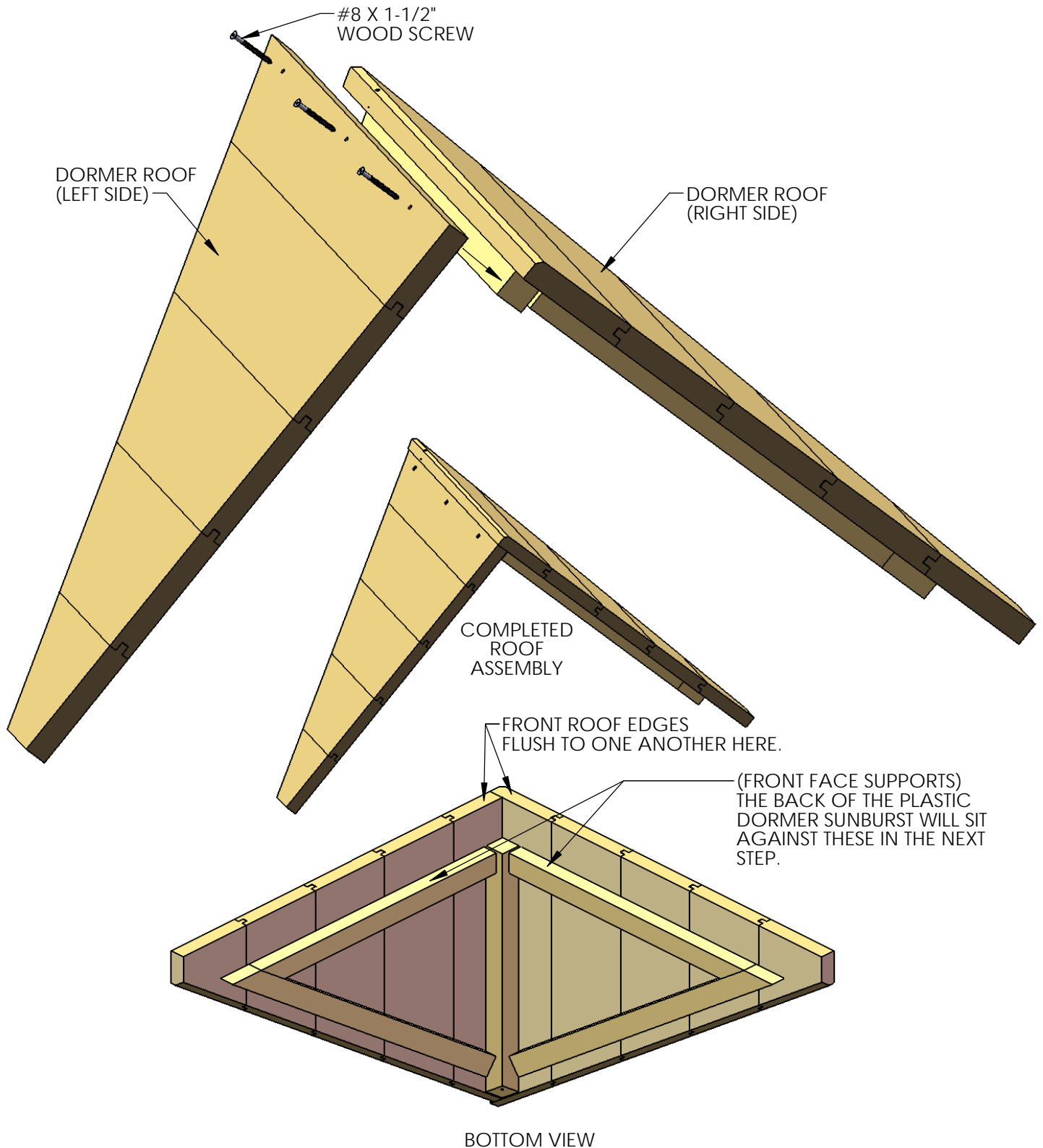


DORMER
RIGHT SIDE
ASSEMBLY

2

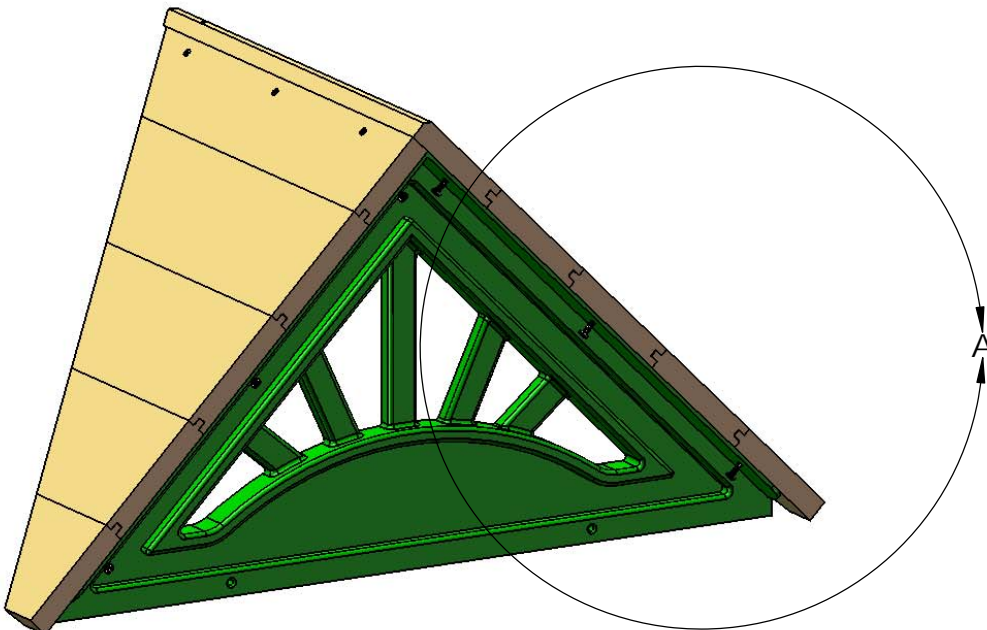
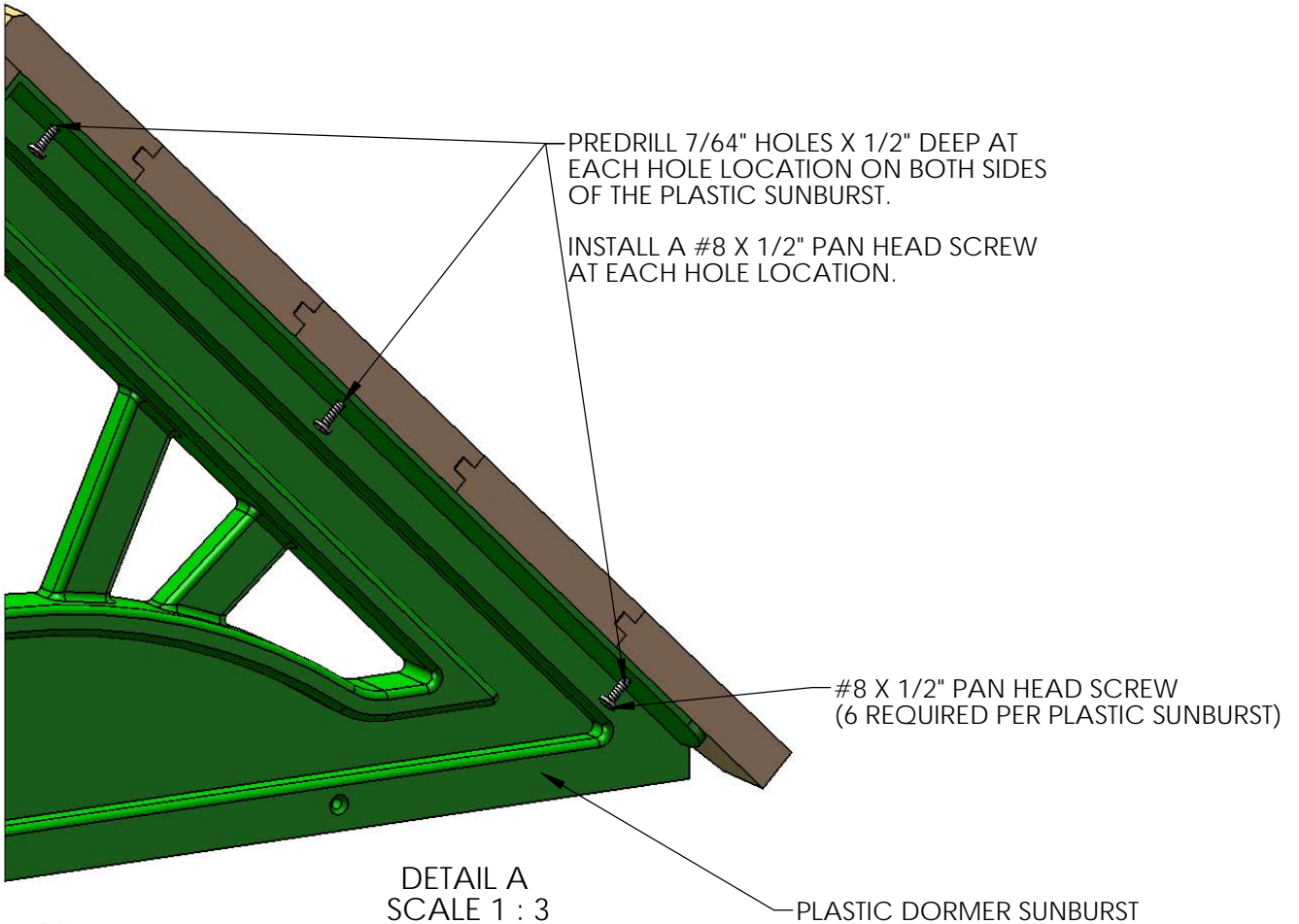
STEP 1: DORMER

- 1: OVERLAP THE LEFT DORMER SIDE ONTO THE PEAK SUPPORT OF THE RIGHT DORMER SIDE.
 - 2: MAKE SURE THE FRONT ROOF EDGES ARE FLUSH TO ONE ANOTHER
 - 3: FASTEN THE LEFT DORMER SIDE TO THE PEAK SUPPORT WITH #8 X 1-1/2" WOOD SCREWS.
- REPEAT SUBSTEPS 1-3 TO CONSTRUCT ANOTHER ROOF ASSEMBLY.



STEP 2: DORMER

- 1: PLACE THE PLASTIC DORMER SUNBURST AGAINST THE FRONT FACE SUPPORT ON THE LEFT AND RIGHT ROOF SIDES.
 - 2: PREDRILL 7/64" PILOT HOLES BY 1/2" DEEP INTO THE ROOF SIDES AT EACH HOLE LOCATION.
 - 3: INSTALL #8 X 1/2" PAN HEAD SCREWS TO FASTEN THE SUNBURST TO THE ROOF SIDES.
- REPEAT SUBSTEPS 1 THROUGH 3 TO CONSTRUCT THE SECOND DORMER.



STEP 3: DORMER

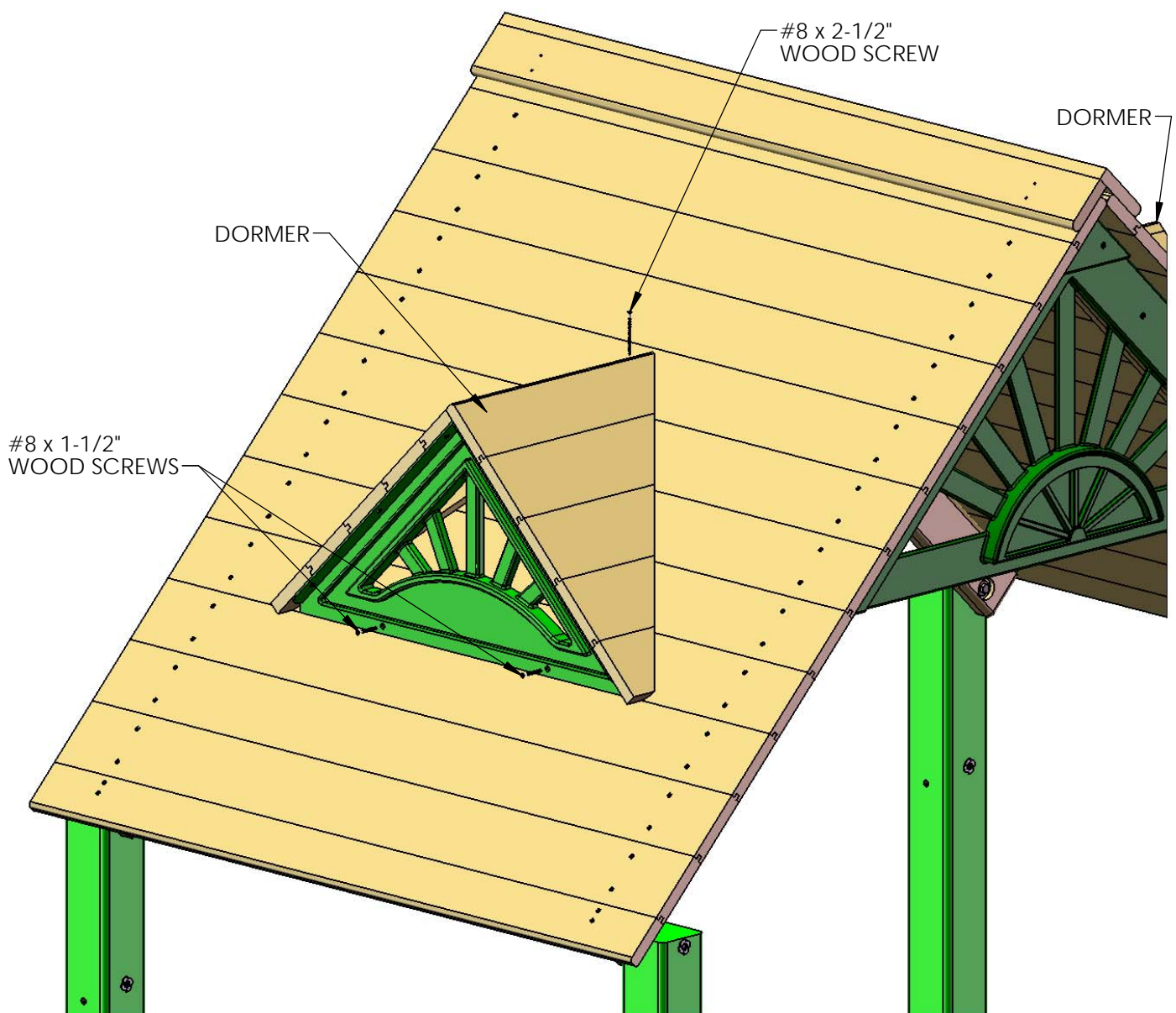
1: PLACE THE DORMER ASSEMBLY ON THE ROOF AS SHOWN.

2: FOR 1500 SERIES UNITS LINE UP THE BOTTOM EDGE OF THE PLASTIC SUNBURST WITH THE LOWER EDGE OF THE 8TH ROOF BOARD.

3: CENTER THE DORMER FROM SIDE TO SIDE ON TOP OF THE ROOF.

4: ATTACH THE DORMER TO THE ROOF WITH ONE #8 X 2-1/2" WOOD SCREW AT THE REAR PEAK OF THE ROOF. ATTACH THE DORMER SUNBURST TO THE ROOF WITH TWO #8 X 1-1/2" WOOD SCREWS.

REPEAT SUBSTEPS 1 THROUGH 4 FOR THE DORMER ON THE OTHER SIDE OF THE ROOF.

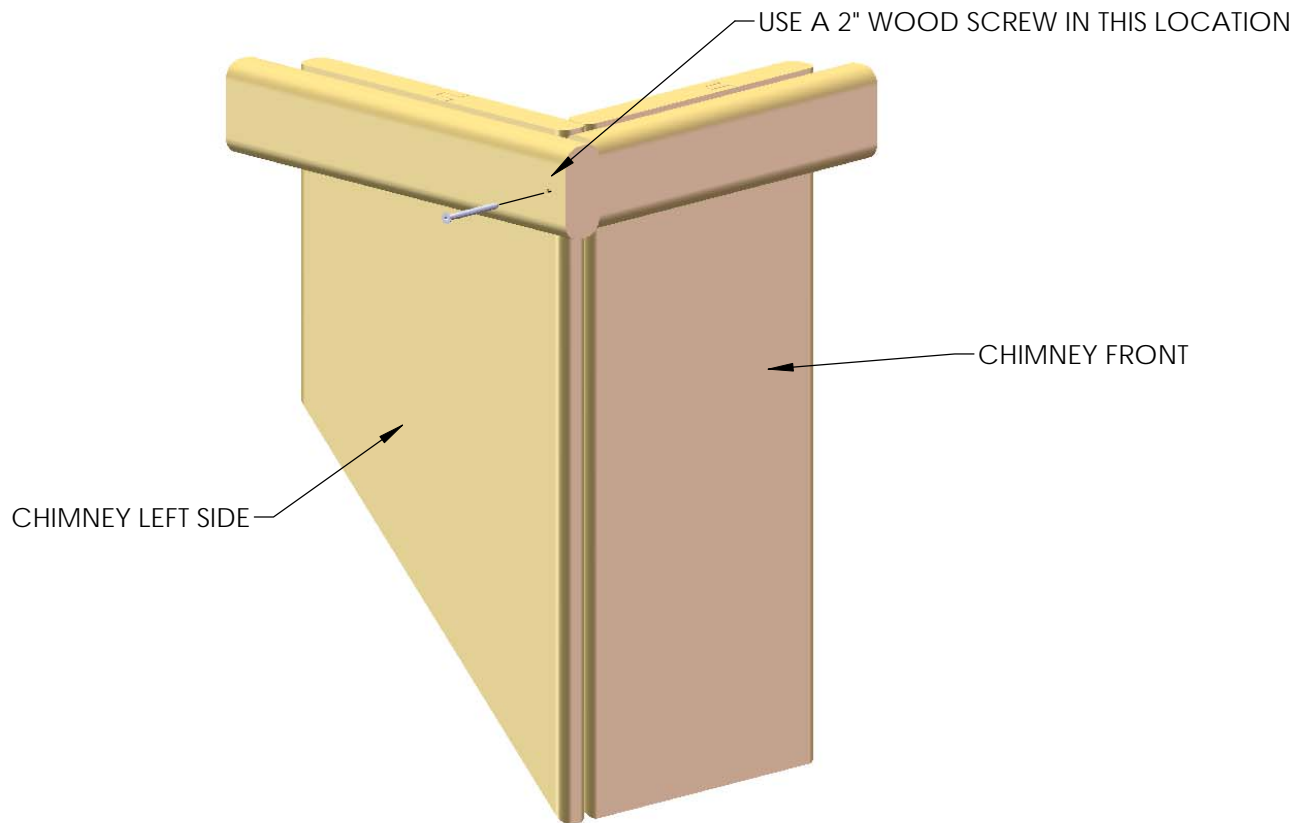


THE UNIT SHOWN ABOVE MAY NOT BE YOUR EXACT PLAY SET.
SHOWN FOR ILLUSTRATION PURPOSES ONLY.

STEP 4: CHIMNEY

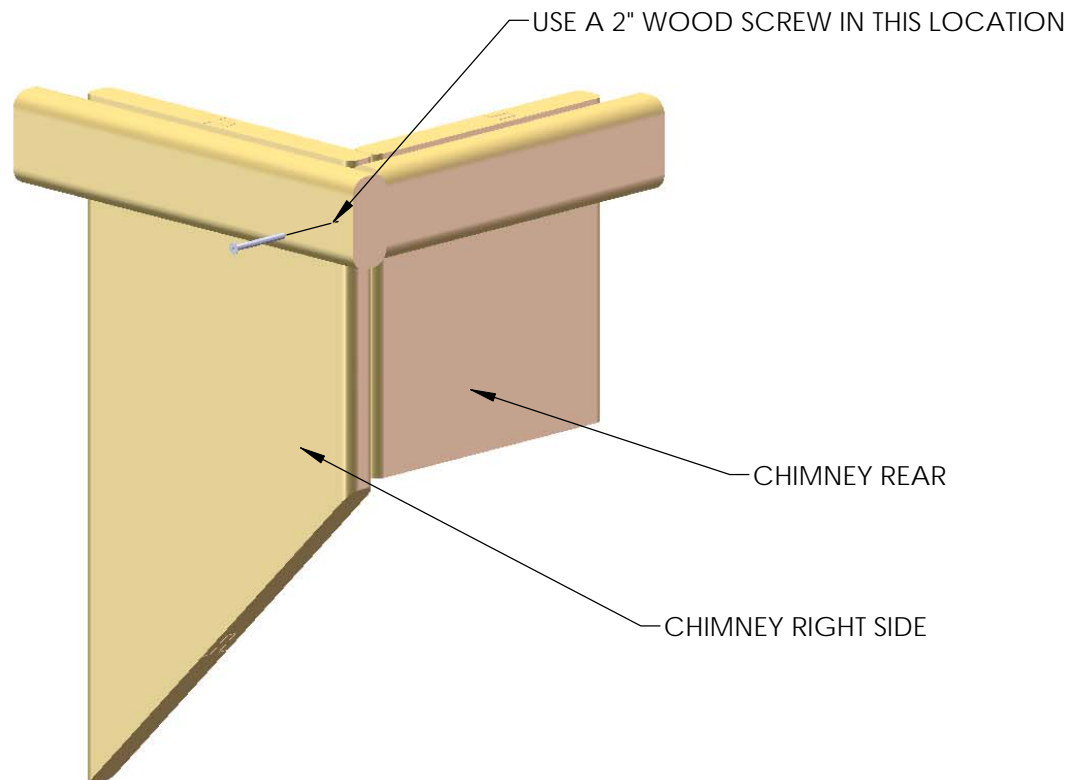
1: FIND THE FRONT AND LEFT SIDE OF THE CHIMNEY.

2: ATTACH THE FRONT AND LEFT SIDES OF THE CHIMNEY WITH A 2" WOOD SCREW.



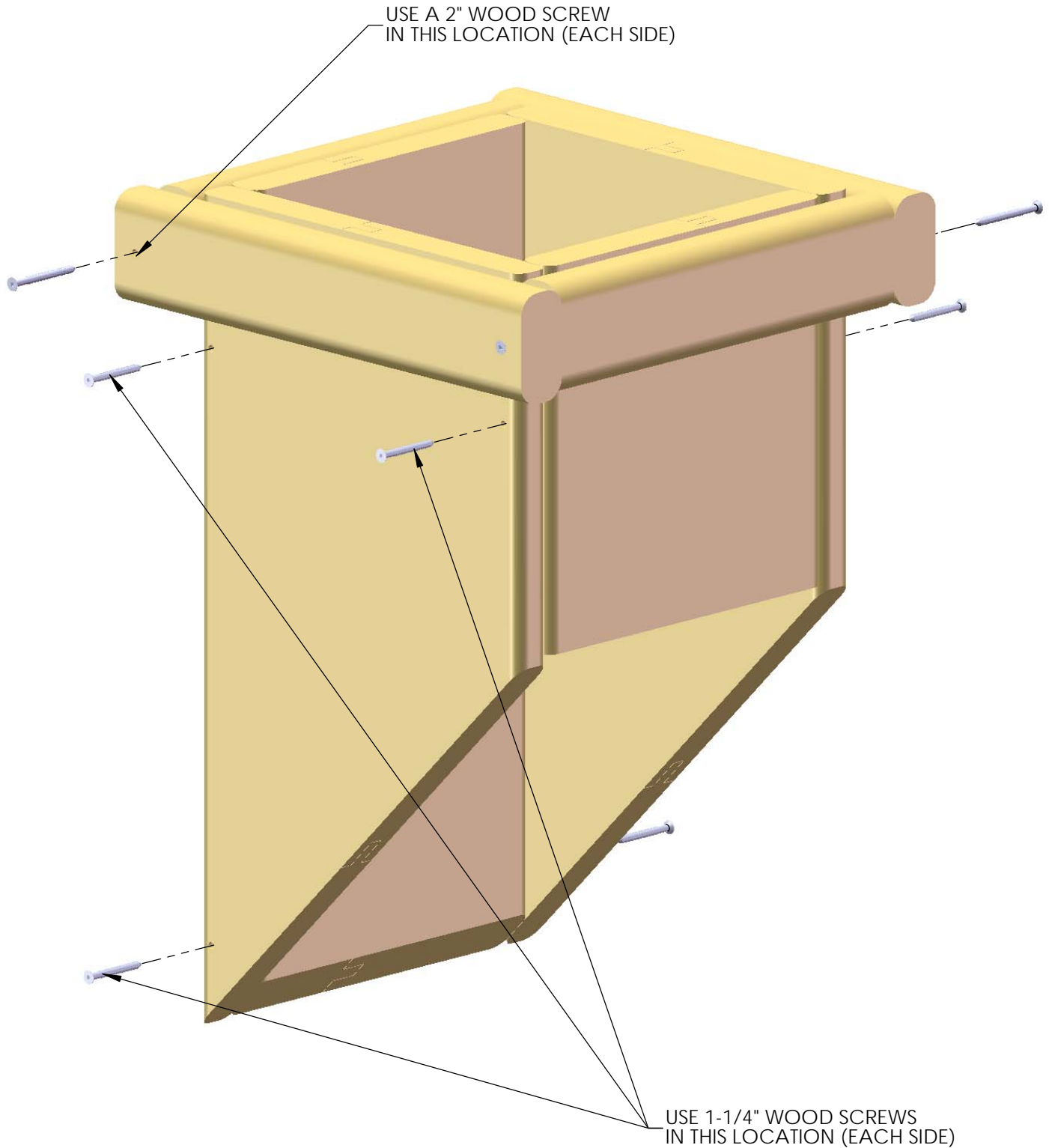
1: FIND THE REAR AND RIGHT SIDE OF THE CHIMNEY.

2: ATTACH THE REAR AND RIGHT SIDES OF THE CHIMNEY WITH A 2" WOOD SCREW.



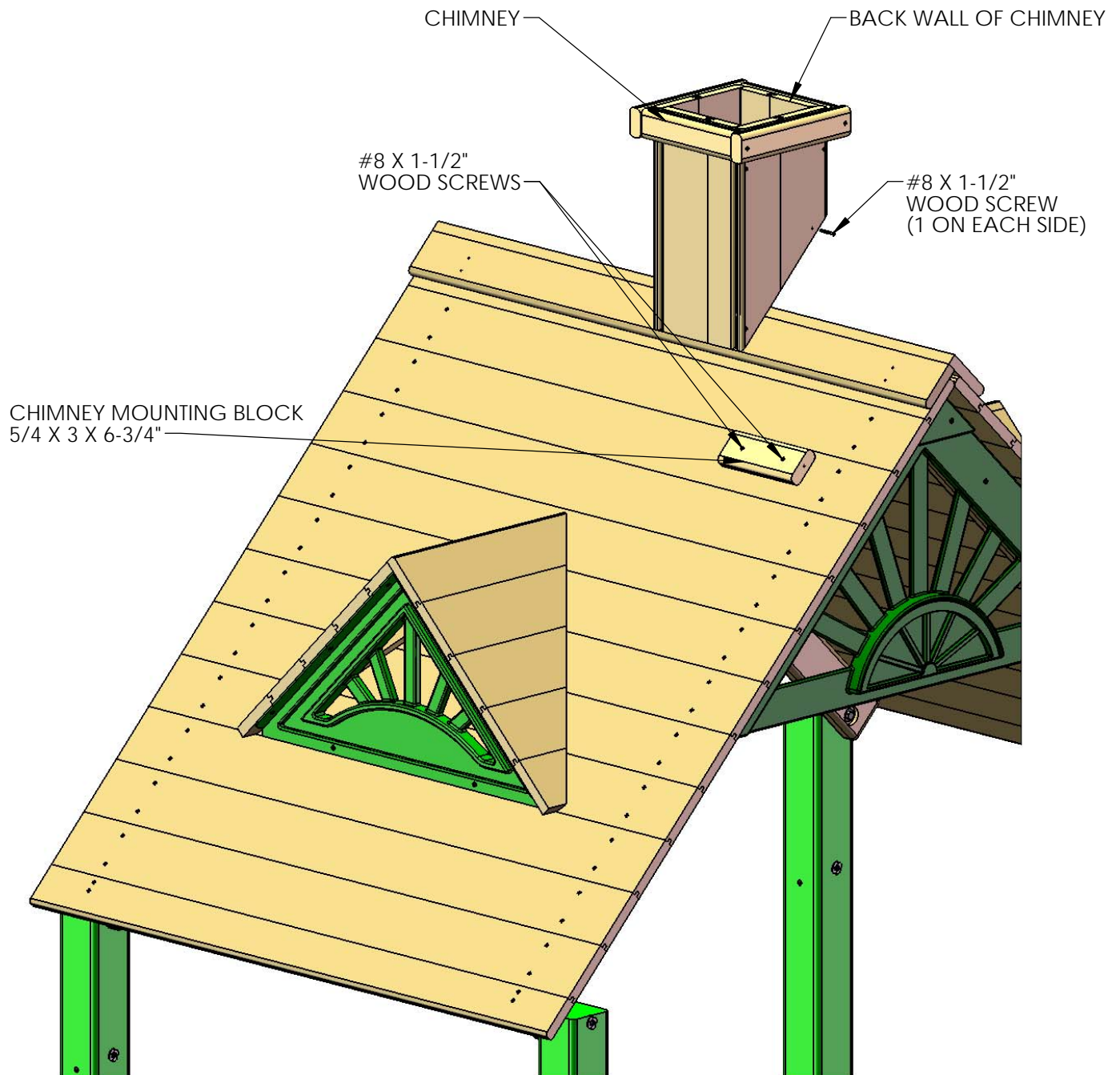
STEP 5: CHIMNEY

1: ATTACH THE CHIMNEY SIDES FROM THE PREVIOUS SIDES TO FORM THE CHIMNEY WITH 2" AND 1-1/4" WOOD SCREWS.



STEP 6: CHIMNEY

- 1: FASTEN THE 5/4 X 3 X 6-3/4" CHIMNEY MOUNTING BLOCK TO THE ROOF WITH #8 X 1-1/2" WOOD SCREWS. YOU CAN PLACE THE BLOCK AT ANY DESIRED PLACE ON THE ROOF. USE THE DIAGRAM BELOW AS A GUIDE FOR A SUGGESTED PLACE TO MOUNT THE CHIMNEY.
- 2: AFTER INSTALLING THE CHIMNEY MOUNTING BLOCK PLACE THE CHIMNEY ASSEMBLY ON THE ROOF SO THAT THE INSIDE OF THE BACK WALL RESTS AGAINST THE BLOCK.
- 3: FASTEN THE CHIMNEY TO THE CHIMNEY MOUNTING BLOCK WITH A #8 X 1-1/2" WOOD SCREW IN EACH SIDE.



THE ABOVE UNIT MAY NOT BE YOUR EXACT PLAY SET.
SHOWN FOR ILLUSTRATION PURPOSES ONLY.

Treehouse Add On Kit



Note: Plastic Sunburst and Flags shown come with your playset. These items are not included with the 1525 kit.

Model: 1525

(BOXES: 1525 wood box, 1525
Hardware box & 2 Windows
REV: 11.12.2015

*****IMPORTANT NOTICE FOR TREEHOUSE KIT PLAYSETS*****

Read all instructions thoroughly before beginning construction, this is very important. The “Treehouse Add On Kit” (1525) box will require you to deviate slightly from the standard kit instructions.

Typical deviations include:

- 1) The Telescope that is usually on the front of the set on the Front face board (arched board) must be moved to another location on the set. Additional instructions to mount the Telescope to a 2 x 4 or a 4 x 4 are included in the play set Appendix or with the “Treehouse Add On Kit” manual. Mount the Telescope along the top of any of the railings that do not interfere with any areas that are activity openings.
- 2) The Roof Peak Support Triangle will need to be removed from the inside of the Roof Supports located on the front of the play set. The Plastic Sunburst should be left off the front of the play set. The “Treehouse Add On Kit” will be added to the front of the play set.
- 3) Flag Kits which normally reside on the front of the front corner posts at the top should be relocated to the front slats on the “Treehouse Add On Kit”

Wood/Accessory and Hardware Lists:

These lists for the “Treehouse Add On Kit” are in the Appendix at the end of your play set instruction manual or they are included with this sheet.

Steps to complete the “Treehouse Add On Kit”:

The instruction steps for the “Treehouse Add On Kit” are in the Appendix at the end of your play set instruction manual or they are included with this sheet.

If you are adding the “Treehouse Add On Kit” to a playset that is already built:

It will be necessary to remove the Flags and Plastic Sunburst from the front side of your playset wood roof. Then remove the 5/4 x 10” Roof Peak Support triangle from the inside of the front Roof Supports. Keep these pieces and hardware since most will be reused during the construction process.

Fill in the holes in the corner posts from the Flags with clear silicone (not included). If you wish to fill the holes with a fastener then use #8 x 1” countersunk head screws with silicone in each hole. You will need to purchase these screws at your local home center if you choose this option.

Fill any small holes in the Roof Supports leftover from removing the Plastic Sunburst with wood filler. Use a stainable wood filler suitable for outdoor use. Then stain the wood filled spots with a suitable matching color of stain.

TABLE OF CONTENTS

General Information.....	Page 4
Definitions.....	Page 5
Board Identification.....	Page 6
Pre-Drill Lag Screw Directions.....	Page 7
Tool List and Kit Contents	Page 8
Hardware, Wood and Accessories.....	Pages 9-12
Assembling The Roof Panels.....	Step 1
Roof Peak Support.....	Step 2
Mounting Roof Sections to Play Set.....	Step 3
Roof Peak.....	Step 4
Sun Support.....	Step 5
Plastic Sunburst.....	Step 6
Wall Panel Boards.....	Step 7
Plastic Windows.....	Step 8
Wall Panel Boards.....	Step 9
Flag Kit.....	Step 10
Telescope Instructions to relocate.....	Pages 23-24

**PLEASE READ OWNER'S MANUAL CAREFULLY
BEFORE STARTING ASSEMBLY!**

General Info to Review Before Installation

- Depending on your experience, assembly of the playset can take as little as 6 hours up to 24 hours, depending on size, after inventory of parts; therefore, we recommend you set aside a full two days for assembly.
- Identify all of the parts for your play set. Empty each box and lay out boards so you can see each part. Your instruction book will have detailed drawings that will make it easy for you to recognize individual parts. Keep all hardware and metal parts separate from wooden pieces.
- After everything is laid out, check carefully to ensure all parts are present. Make sure there are no broken boards.
- Find an area to sort your hardware. It is best to open the hardware on a solid surface so that you do not lose any pieces in the grass. This will save time and familiarize you with all the different pieces in the hardware bag.
- Important note: Wood has some natural defects such as knots, surface cracks, etc... We reject parts that are structurally defective. We use a high quality lumber in our structures; however, you should inspect each part for splinters or rough spots and sand them smooth to prevent injury.
- After familiarizing yourself with all of the components, read all instructions thoroughly. Reading instructions after you have studied the parts will help you understand the installation process, and help to eliminate unnecessary mistakes.
- Pay close attention to the diameter and length of each bolt and screw.
- Never tighten hardware completely at first. It helps to have some adjustment for bolt alignment while you are attaching parts together. After everything is square, tighten each joint.
- After you complete installation, make sure every bolt, screw, and nut is tight, and every board is secure. Wood will expand and contract with the seasons.

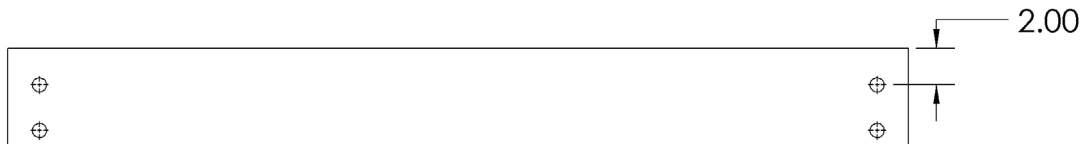
This page is a list of definitions and explanations used throughout our instructions to aid you in the assembly of your play set.

Offset Holes- Throughout the installation procedures we will refer to parts with offset holes. This refers to the orientation of the holes on the board. An offset hole is one that is closer to one side than it is the other or in other words, it is not centered on the board. In the procedures you will be instructed to attach the boards with the holes offset up or with the holes offset down. This refers to which side of the board the hole/holes should be closer to. Offset holes up= hole/holes will be closer to the top of the board. Offset holes down= hole/holes will be closer to the bottom of the board. Note: some parts do not have offset holes, but instead the holes are on center. Therefore there will not be any reference on how to offset these parts.

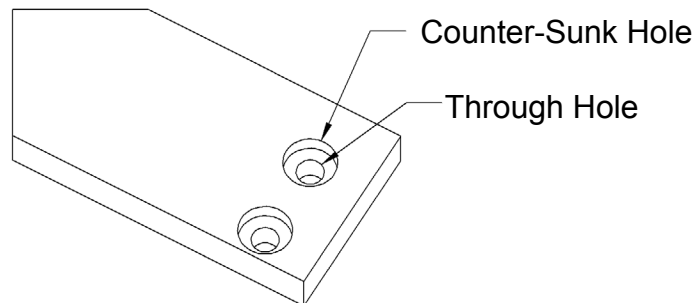
EXAMPLE OF OFFSET HOLES UP



EXAMPLE OF OFFSET HOLES DOWN



Counter-sunk holes - Many of the parts that will be used have counter-sunk holes. A counter-sunk hole is one that surrounds one side of a through hole, but does not extend through the wood it's self. When using a counter-sunk hole the bolt will be inserted through the through hole and either the head of the bolt and washer or nut and washer will occupy the counter sunk hole.



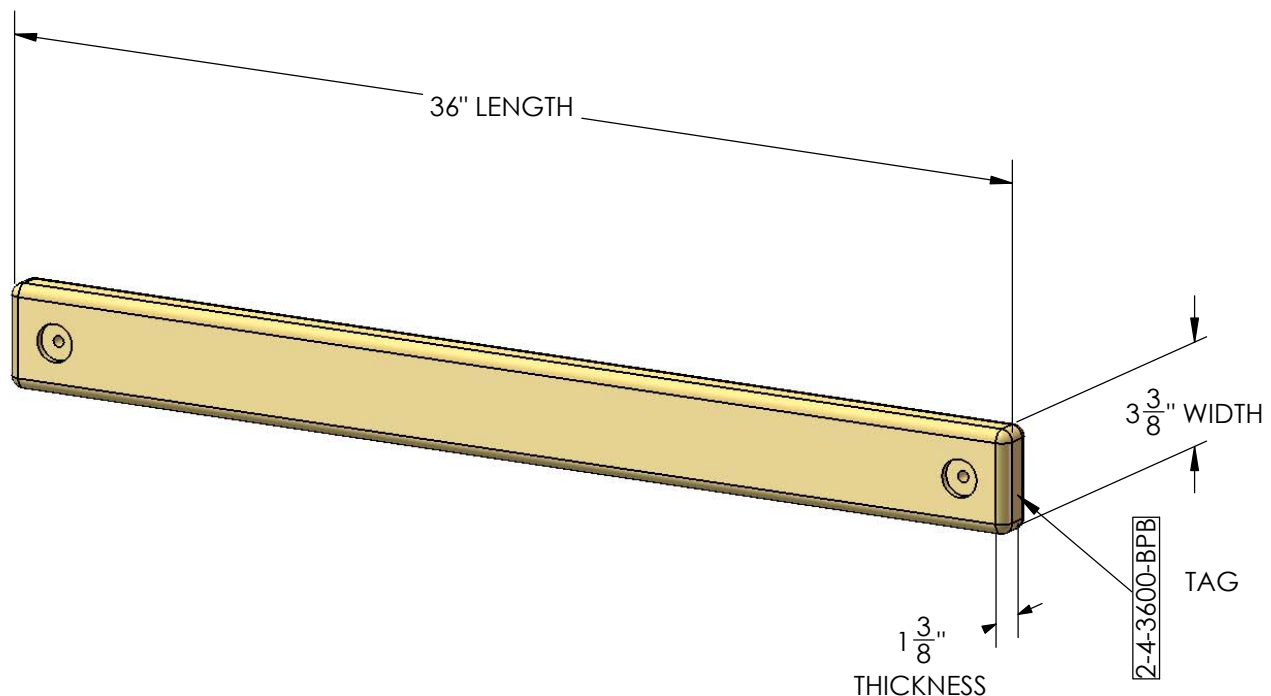
Lag Screws- Lag screws are used in the construction of our play sets to enhance the structural integrity of the unit. There will not be predrilled holes in the post for lag screw installation. Lag screws are self-tapping, though if you are using a manual socket wrench it may be advantageous to pre-drill a hole first. Instructions for this are provided on a separate page in the front of the manual. Be sure to tighten the lags completely when driving them in by hand. Power tools such as a heavy duty impact driver or large power drill should have enough torque to drive in the lag screws, but make sure not to over tighten as this can cause the threads to “strip out” in the post.

BOARD IDENTIFICATION

1. On the end of each board there should be a small white tag that is stapled or stuck into place. Remove the staples and/or tag after the board is installed.
2. This white identification tag displays the thickness, width, length and an abbreviated description of the part.

Example: a tag reads "2-4-3600-BPB"

- The 2 is the thickness of the board. "Nominal Lumber" at a home center will measure 1-1/2" for the thickness. We "remill" that lumber to 1-3/8" thick.
- The 4 is the width of the board. "Nominal Lumber" at a home center will measure 3-1/2" for the width. We "remill" that lumber to 3-3/8" wide.
Note: sometimes the width will be smaller than 3-3/8" because:
A) We need the width of the part to fit into a certain area of the play set.
B) We need the designation to be simple.
- The 3600 is the length of the board. It means the board is 36 inches long. If the code were 3625 then the board is 36-1/4" in length.
- The "BPB" abbreviation stands for "Bottom Panel Board". The wood part bill of materials in the instructions has a description which will match the abbreviation closely.
- In the event that there is no tag on a wood part measure the part then:
A) Use the measurements and compare them to the wood list at the front of the instructions to identify it.
B) Look at the holes on the wood part and compare them to the pictures in the wood list.
C) Look to see if the holes are centered or if they are offset up or offset down.
This should help you identify any parts that have missing tags. In the event that you cannot identify a board please email us for assistance.



PRE-DRILL LAG SCREW DIRECTIONS

Pre-drilling holes for lag screws will make it easier to drive the screws in by hand. "Jobber" length drill bits are available in sizes that are longer than standard drill bits and those are ideal for the job. When using the drill bit you will have to "spot" drill the post and then remove the board you are attaching to finish drilling the hole.

Pay attention to the *DIAMETER* of the lag screw you are installing. Your playset may come with two different diameter lag screws. Each diameter will require a different size drill bit. When installing lag screws **DO NOT OVERTIGHTEN.**

LAG SCREW DIAMETER	DRILL BIT SIZE
5/16" DIAMETER	9/64"
3/8" DIAMETER	11/64"

Example: 3/8" diameter x 3-1/2" lag screw

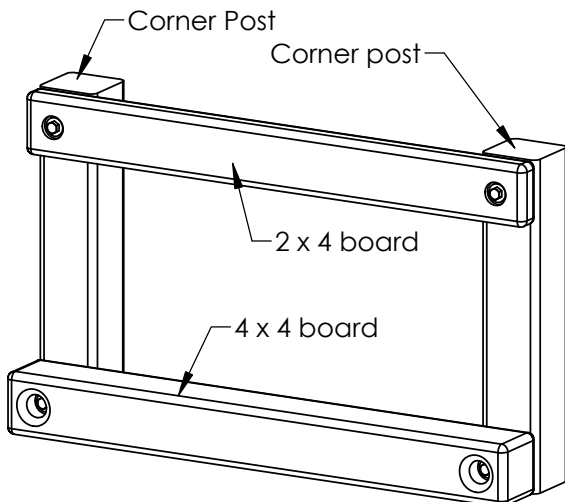
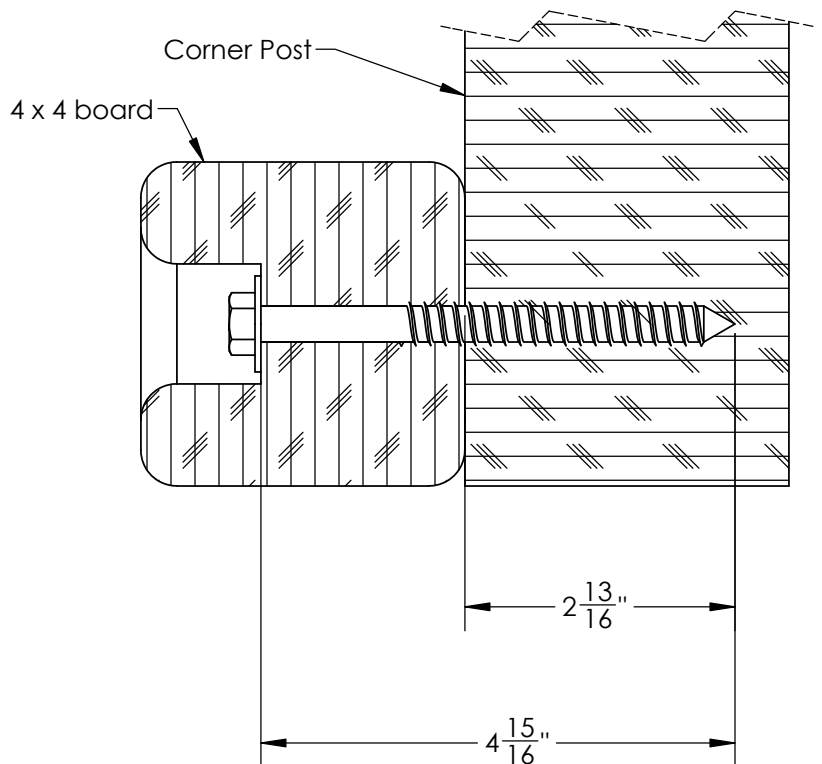
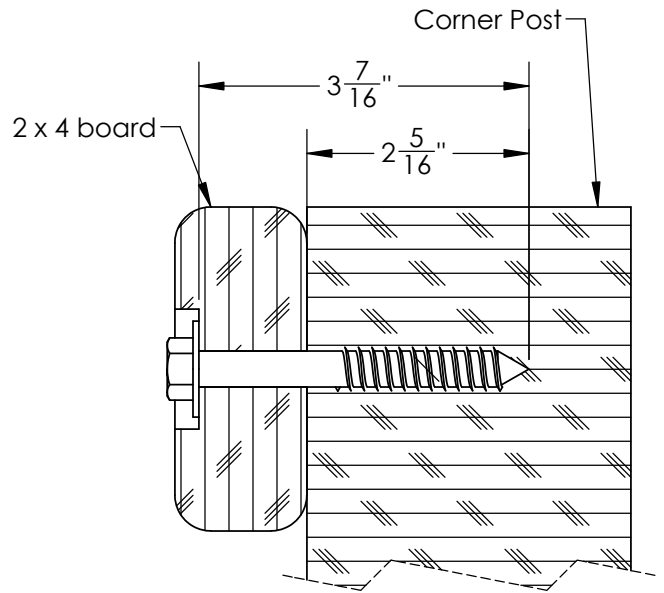
This would be like the 2 x 4 board installation shown below. Place the board into position. Spot Drill through the holes in the 2 x 4 board into the corner posts with an 11/64" drill bit. Remove the 2 x 4 board. Continue to drill the holes to a total depth of 2-5/16" as shown at the right. Install the 2 x 4 board.

Example 5/16" diameter x 3-1/2" lag screw

This would be like the 2 x 4 board installation shown below. Place the board into position. Spot Drill through the holes in the 2 x 4 board into the corner posts with an 9/64" drill bit. Remove the 2 x 4 board. Continue to drill the holes to a total depth of 2-5/16" as shown at the right. Install the 2 x 4 board.

Example 3/8" diameter x 5" lag screw

This would be like the 4 x 4 board installation shown below. Place the board into position. Spot drill through the holes in the 4 x 4 board into the corner posts with an 11/64" drill bit. Remove the 4 x 4 board. Continue to drill the holes to a total depth of 2-13/16" as shown at the right. Install the 4 x 4 board.



REQUIRED TOOL LIST:

- ___ Standard or Cordless Drill w/ Phillips Bit (#2 square bit provided)
- ___ Drill Bits 1/8", 3/8", 9/64"
- ___ 1/2" Wrench and Socket
- ___ 1/2" Deep Well Socket
- ___ Level
- ___ Tape Measure
- ___ Extension Cord (if using standard drill)
- ___ Hammer
- ___ Pencil

KIT CONTENTS**Swings, Slides, Accessories:**

- ___ (Qty) Description
- ___ (2) Plastic Windows

Hardware:

see following pages

Wood Components:

see following pages

1525 HARDWARE

PAGE 1 OF 1

11/18/2014 S.O.

#8 X 1-1/4"
WOOD SCREW
QTY: 32



#8 X 1-1/2"
WOOD SCREW
QTY: 92



#8 X 2"
WOOD SCREW
QTY: 18



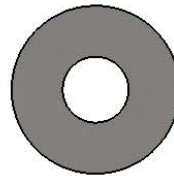
#8 X 2-1/2"
WOOD SCREW
QTY: 8



#8 X 3"
WOOD SCREW
QTY: 2



5/16" X 3-1/2"
LAG SCREW
QTY: 2



5/16" WASHER
QTY: 2

9

8

7

6

5

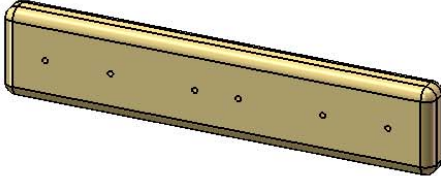
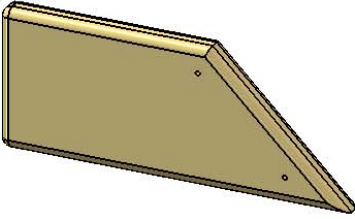
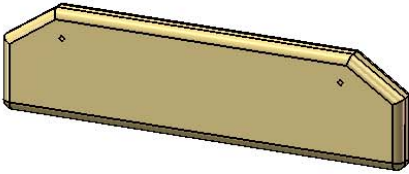
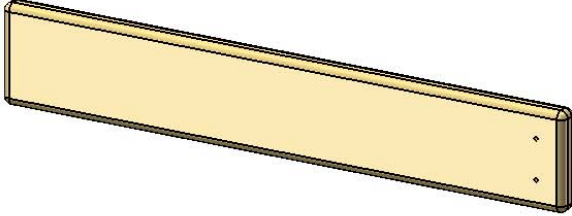
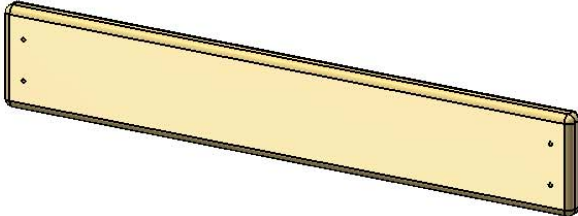
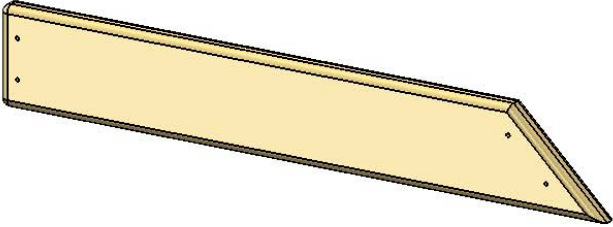
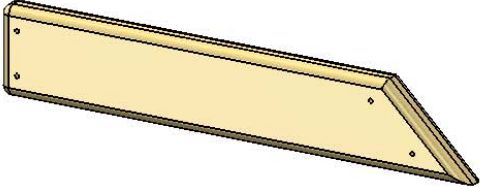
4

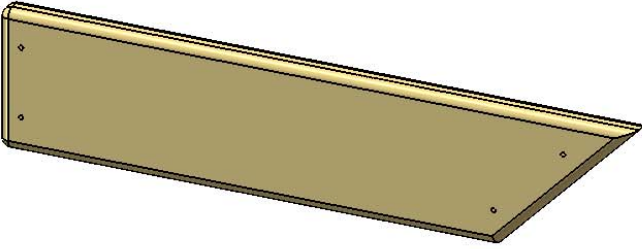
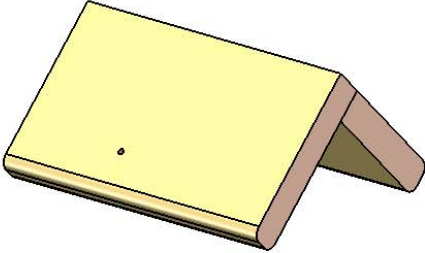
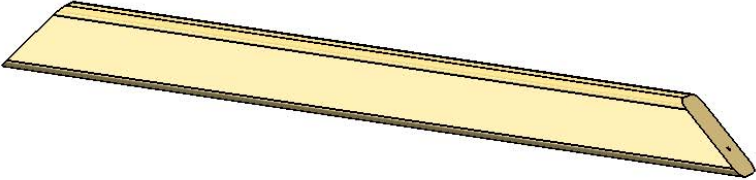
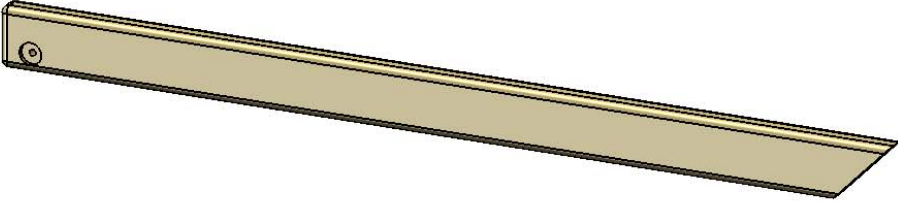
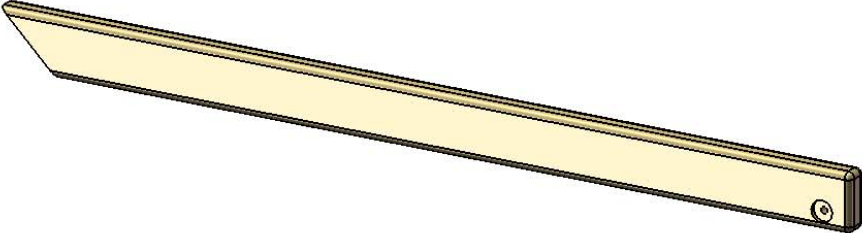
3

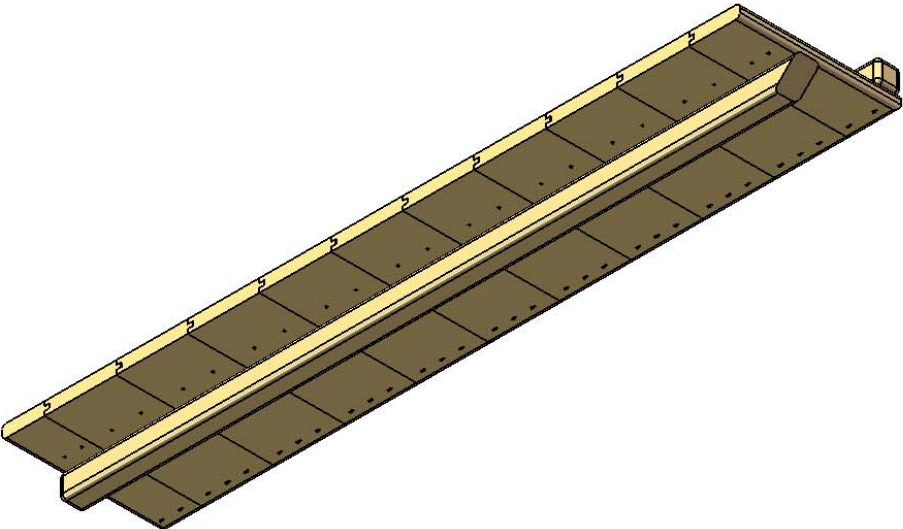
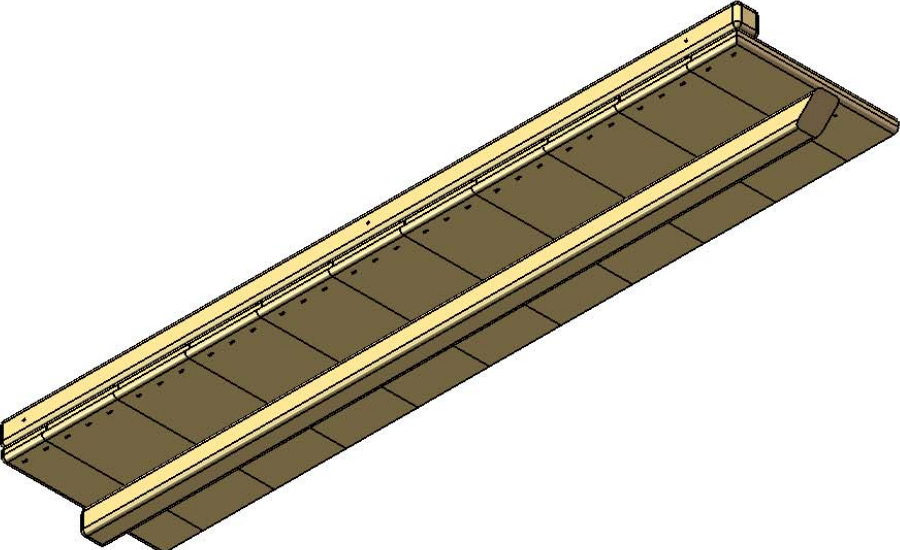
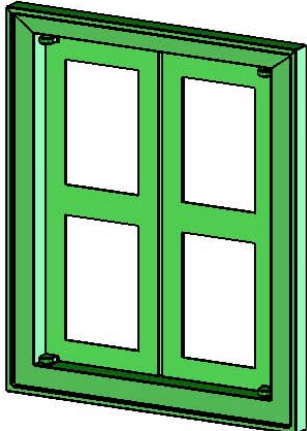
2

1

USE THE RULER TO THE RIGHT TO MEASURE YOUR BOLTS AND SCREWS. PICTURE VIEWS SHOWN ABOVE ARE 1:1 SCALE AND CAN BE USED TO MATCH BOLT AND SCREW SIZES.

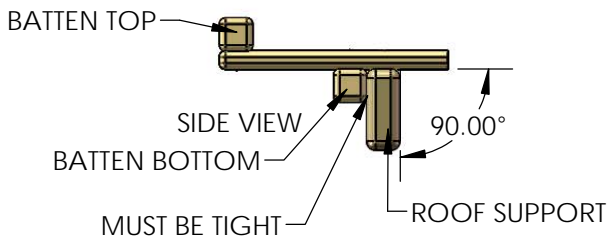
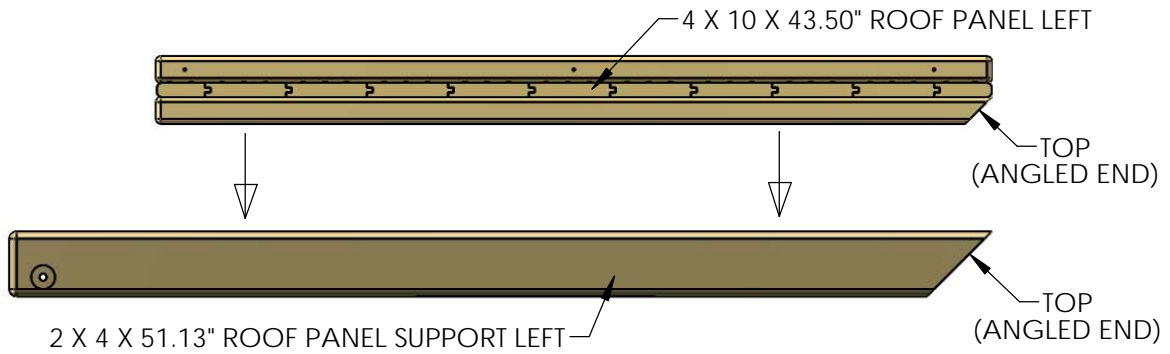
PICTURE	DESCRIPTION	QTY.
	1 X 2 X 9.88" WALL PANEL BOARD 1-2-0988-WPB	3
	1 X 4 X 10.00" WALL PANEL BOARD 1-4-1000-WPB	2
	1 X 3 X 11.50" WINDOW TOP/BOTTOM 1-3-1150-WTB	4
	1 X 4 X 20.25" WALL PANEL BOARD 1-4-2025-WPB	1
	1 X 4 X 20.50" WALL PANEL BOARD 1-4-2050-WPB	2
	1 X 4 X 21.75" WALL PANEL BOARD 1-4-2175-WPB	2
	1 X 3 X 14.06" WALL PANEL BOARD 1-3-1406-WPB	2

PICTURE	DESCRIPTION	QTY.
	<p>1 X 4 X 18.25" WALL PANEL BOARD 1-4-1825-WPB</p>	<p>2</p>
	<p>1 X 5 X 6.88" ROOF PEAK 1-5-0688-RP</p>	<p>1</p>
	<p>2 X 3 X 35.70" SUN SUPPORT 2-3-3570-SS</p>	<p>1</p>
	<p>2 X 4 X 51.13" ROOF SUPPORT LEFT 2-4-5113-RSL</p>	<p>1</p>
	<p>2 X 4 X 51.13" ROOF SUPPORT RIGHT 2-4-5113-RSR</p>	<p>1</p>

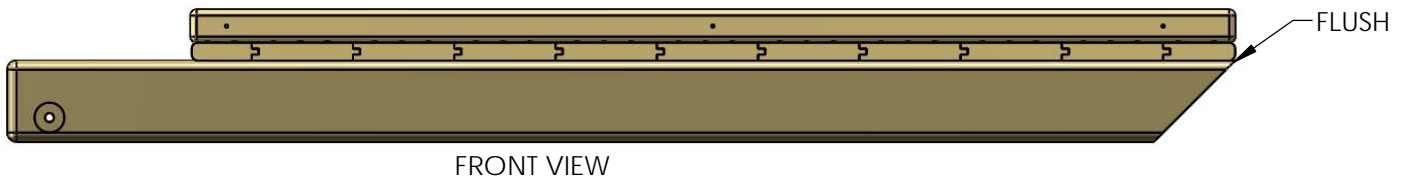
PICTURE	DESCRIPTION	QTY.
	<p>4 X 10 X 43.50" ROOF PANEL LEFT ASSEMBLY 4-10-4350-RPLA</p>	<p>1</p>
	<p>4 X 10 X 43.50" ROOF PANEL RIGHT ASSEMBLY 4-10-4350-RPRA</p>	<p>1</p>
	<p>WINDOW PANEL 07-0013</p>	<p>2</p>
<p>1525 HARDWARE BOX</p>	<p>HARDWARE BOX</p>	<p>1</p>

STEP 1: ASSEMBLING THE ROOF PANELS

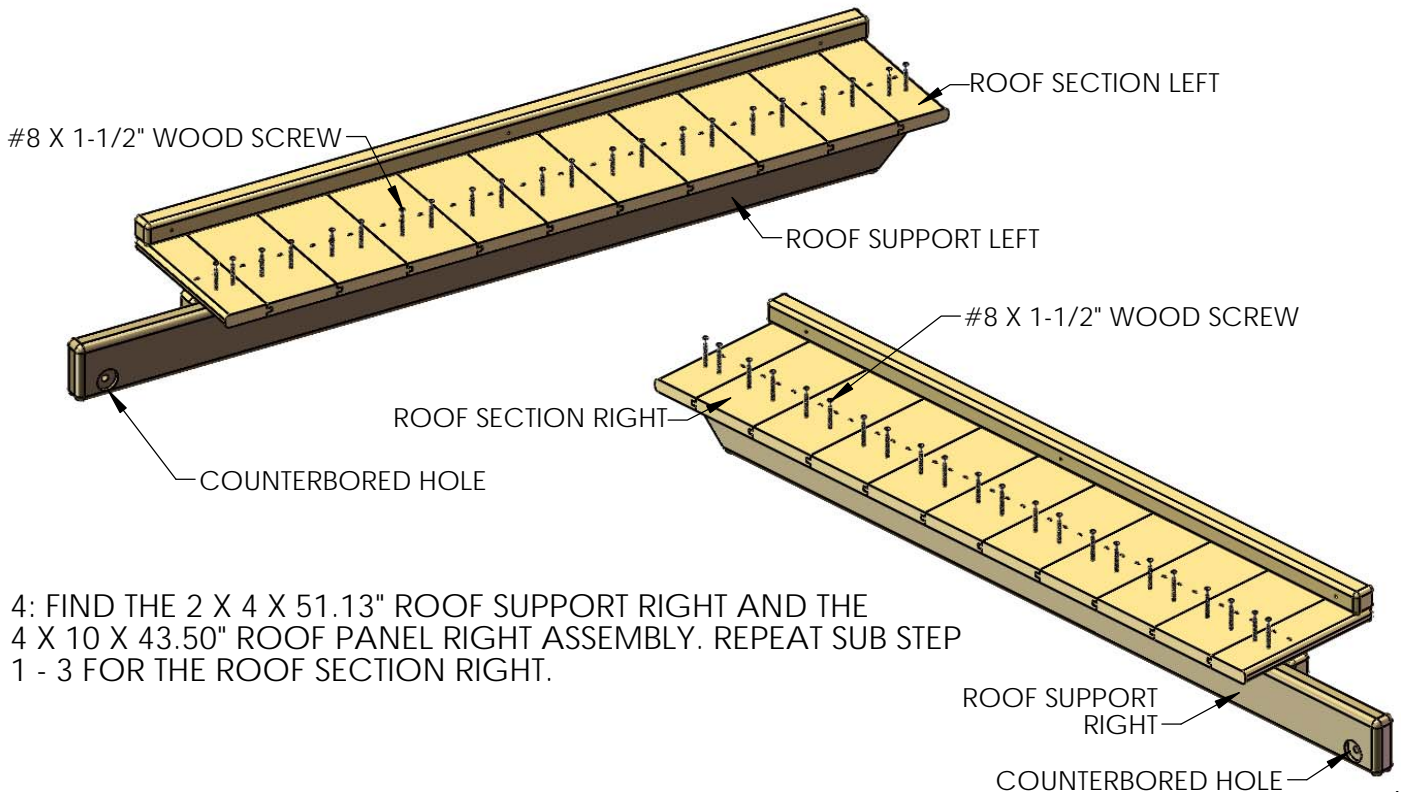
1: FIND THE 2 X 4 X 51.13" ROOF SUPPORT LEFT AND THE 4 X 10 X 43.50" ROOF PANEL LEFT ASSEMBLY. MOUNT THE ROOF PANEL LEFT ON TOP OF THE ROOF SUPPORT LEFT.



2: MAKE SURE THE ANGLED ENDS ARE FLUSH, AND THE BATTEN BOTTOM IS TIGHT AGAINST THE INSIDE FACE OF THE ROOF SUPPORT.



3: ATTACH USING #8 X 1-1/2" WOOD SCREWS THROUGH THE PRE-DRILLED HOLES INTO THE ROOF SUPPORT.

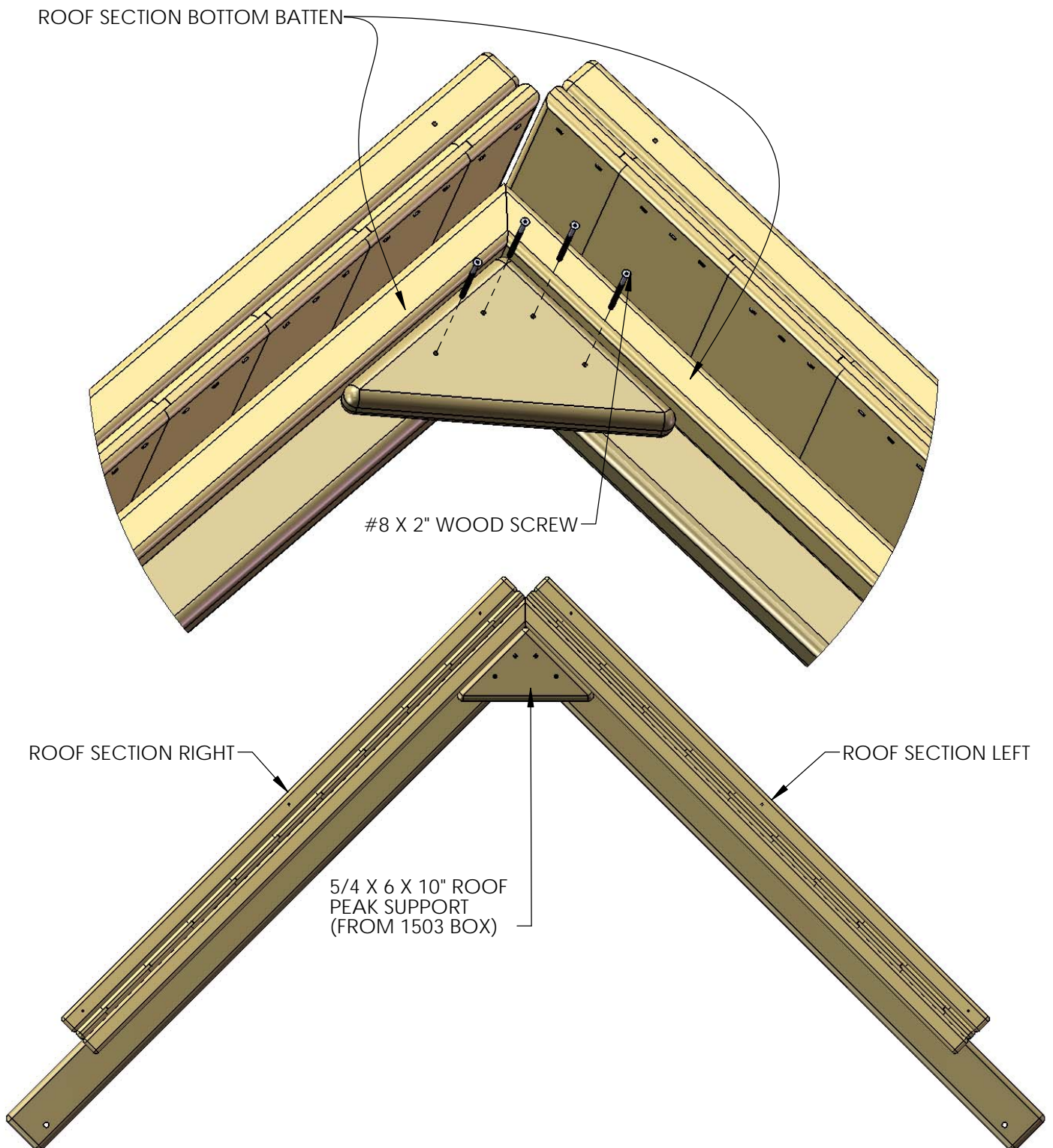


4: FIND THE 2 X 4 X 51.13" ROOF SUPPORT RIGHT AND THE 4 X 10 X 43.50" ROOF PANEL RIGHT ASSEMBLY. REPEAT SUB STEP 1 - 3 FOR THE ROOF SECTION RIGHT.

STEP 2: ROOF PEAK SUPPORT

1: FIND ONE 5/4 X 6 X 10" ROOF PEAK SUPPORT FROM THE 1503 BOX. LAY THE ROOF SECTION LEFT AND THE ROOF SECTION RIGHT ON A FLAT SURFACE. ALIGN THE ANGLED ENDS FLUSH WITH ONE ANOTHER.

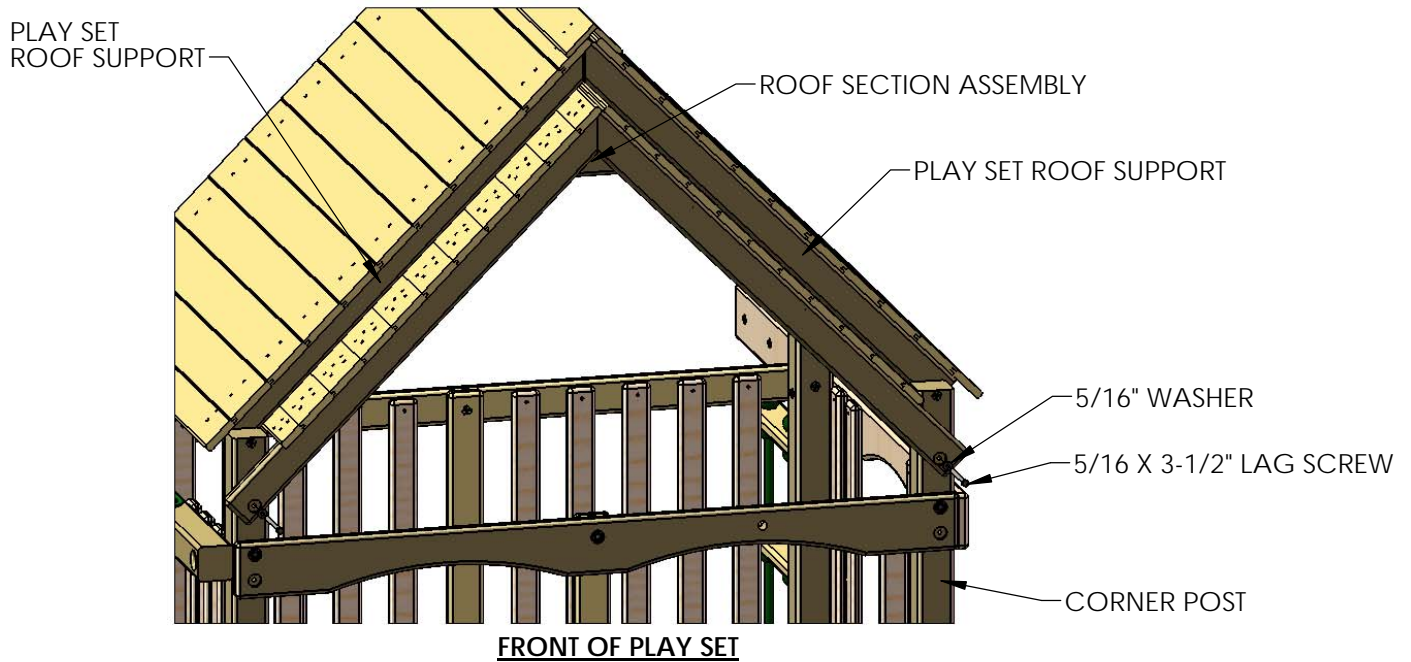
2: PLACE THE ROOF PEAK SUPPORT ON TOP OF THE ROOF SUPPORTS, MAKE SURE THE ROOF PEAK SUPPORT TOP EDGES ARE FLUSH AGAINST THE BOTTOM FACE OF THE ROOF SECTION BOTTOM BATTEN. FASTEN USING FOUR #8 X 2" WOOD SCREWS THROUGH THE PRE DRILLED HOLES INTO THE ROOF SUPPORTS.



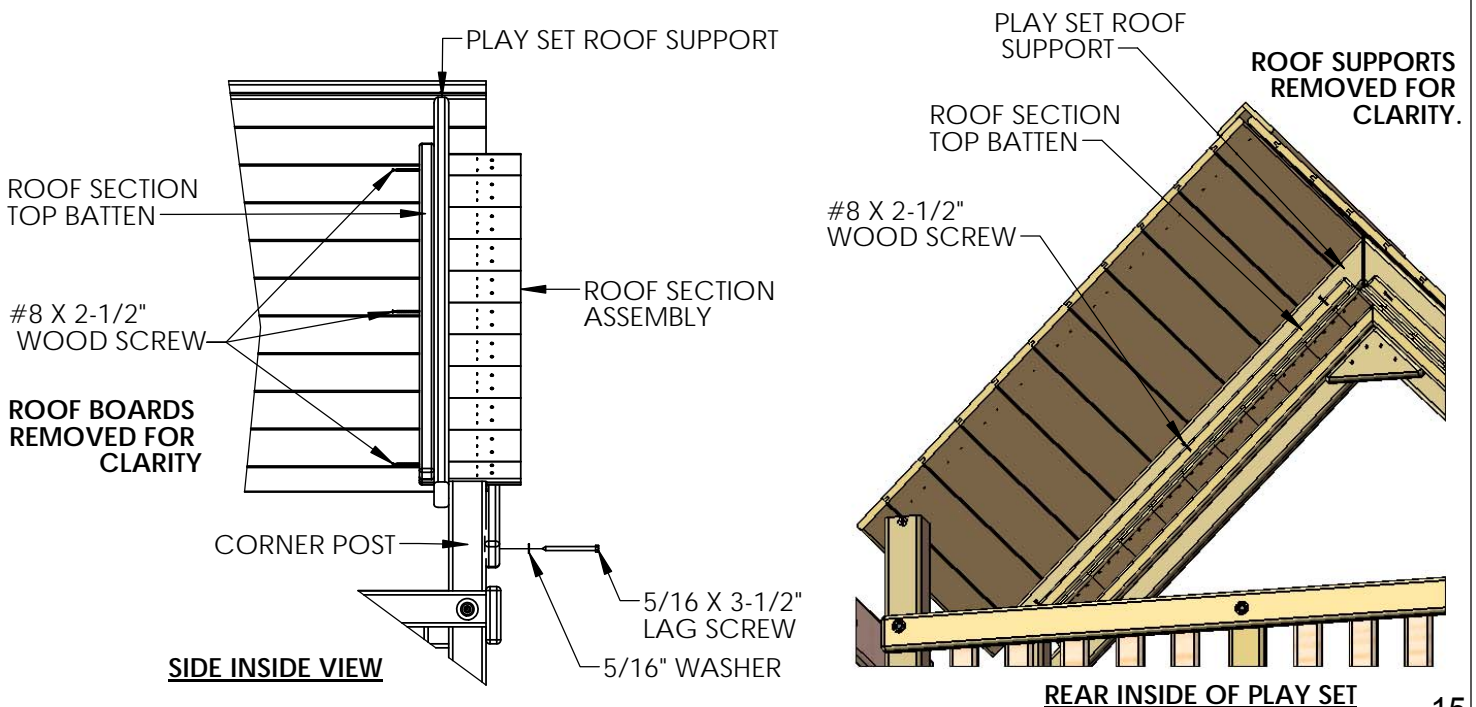
STEP 3: MOUNTING ROOF SECTIONS TO PLAY SET

1: MOUNT THE ROOF SECTION ASSEMBLY TO THE FRONT OF THE PLAY SET. SLIDE THE ROOF SECTION UNTIL IT IS FLUSH UP AGAINST THE BOTTOM OF THE PLAY SET ROOF SUPPORTS, MAKE SURE THERE ARE NO GAPS IN BETWEEN.

2: SECURE THE ROOF SECTION TO THE CORNER POSTS USING TWO 5/16 X 3-1/2" LAG SCREWS AND 5/16" WASHER THROUGH THE COUNTER SUNK HOLES LOCATED ON THE BOTTOM ENDS OF THE ROOF SECTION ASSEMBLY ROOF SUPPORTS.

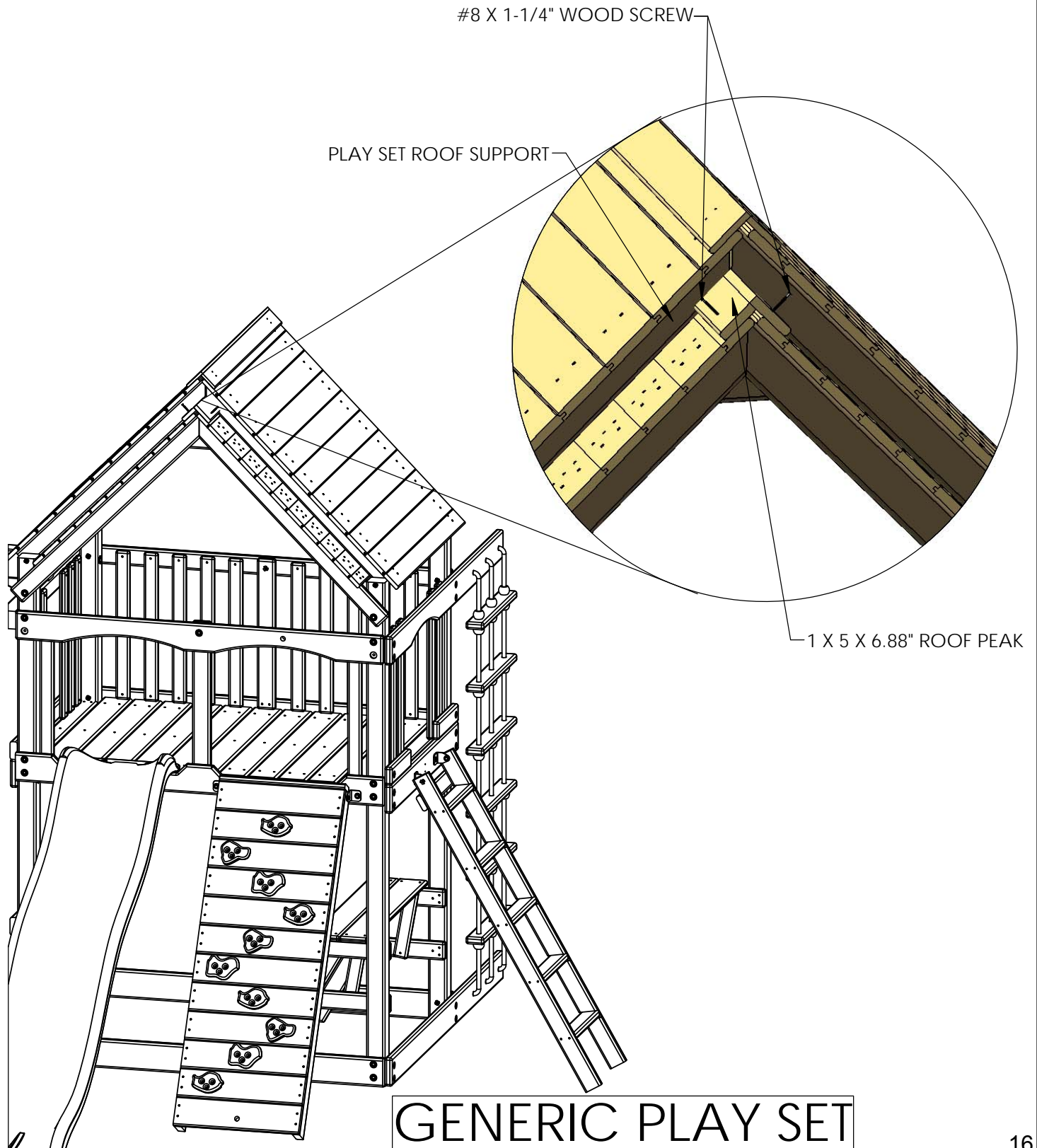


3: FASTEN THE ROOF SECTION TO THE PLAY SET ROOF SUPPORTS USING SIX #8 X 2-1/2" WOOD SCREWS THROUGH THE TOP BATTEN PRE-DRILLED HOLES.



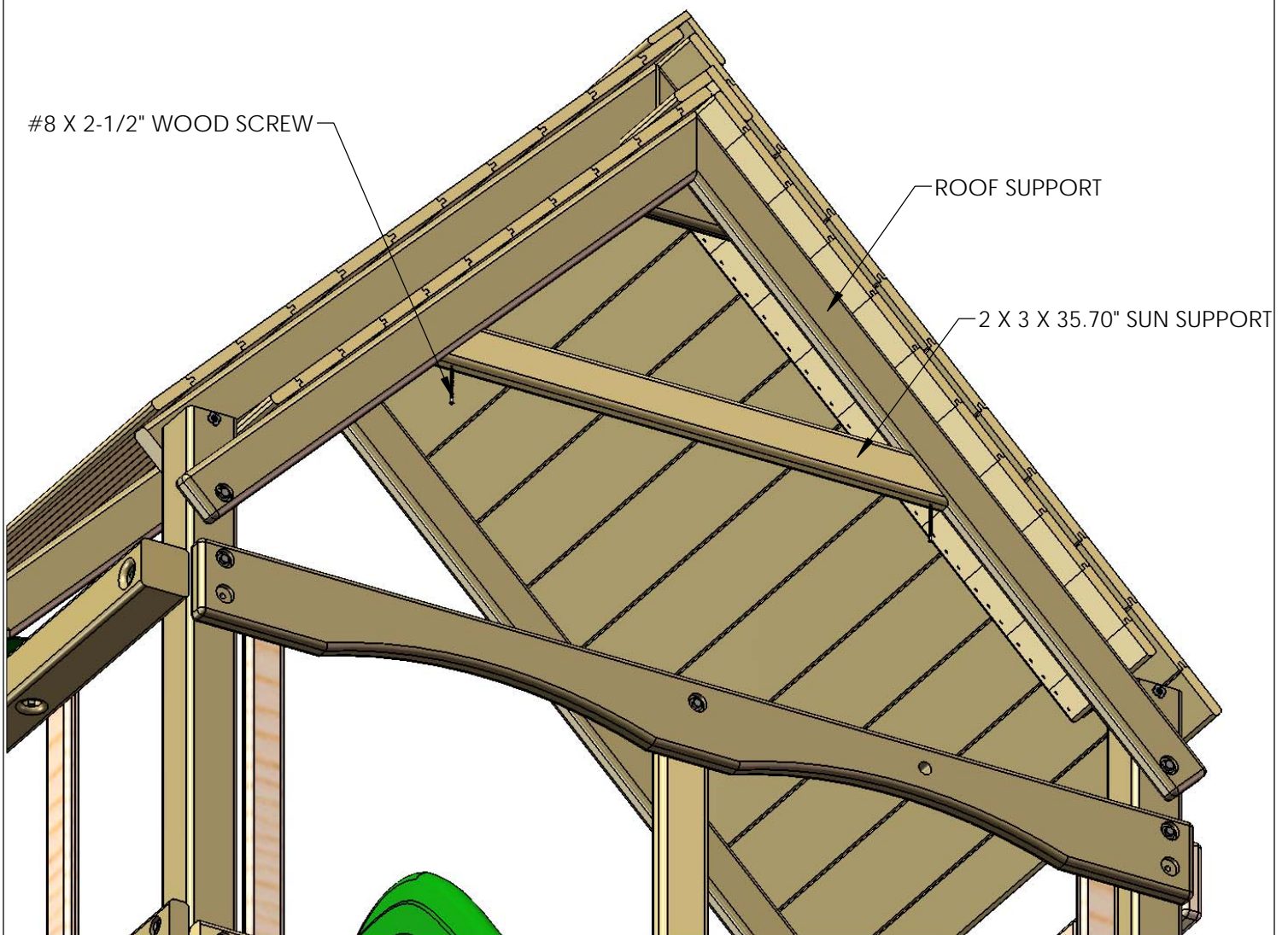
STEP 4: ROOF PEAK

1: MOUNT THE 1 X 5 X 6.88" ROOF PEAK ON TOP OF THE ROOF SECTION ASSEMBLY, FLUSH WITH THE PLAY SET ROOF SUPPORTS. FASTEN USING TWO #8 X 1-1/4" WOOD SCREWS.



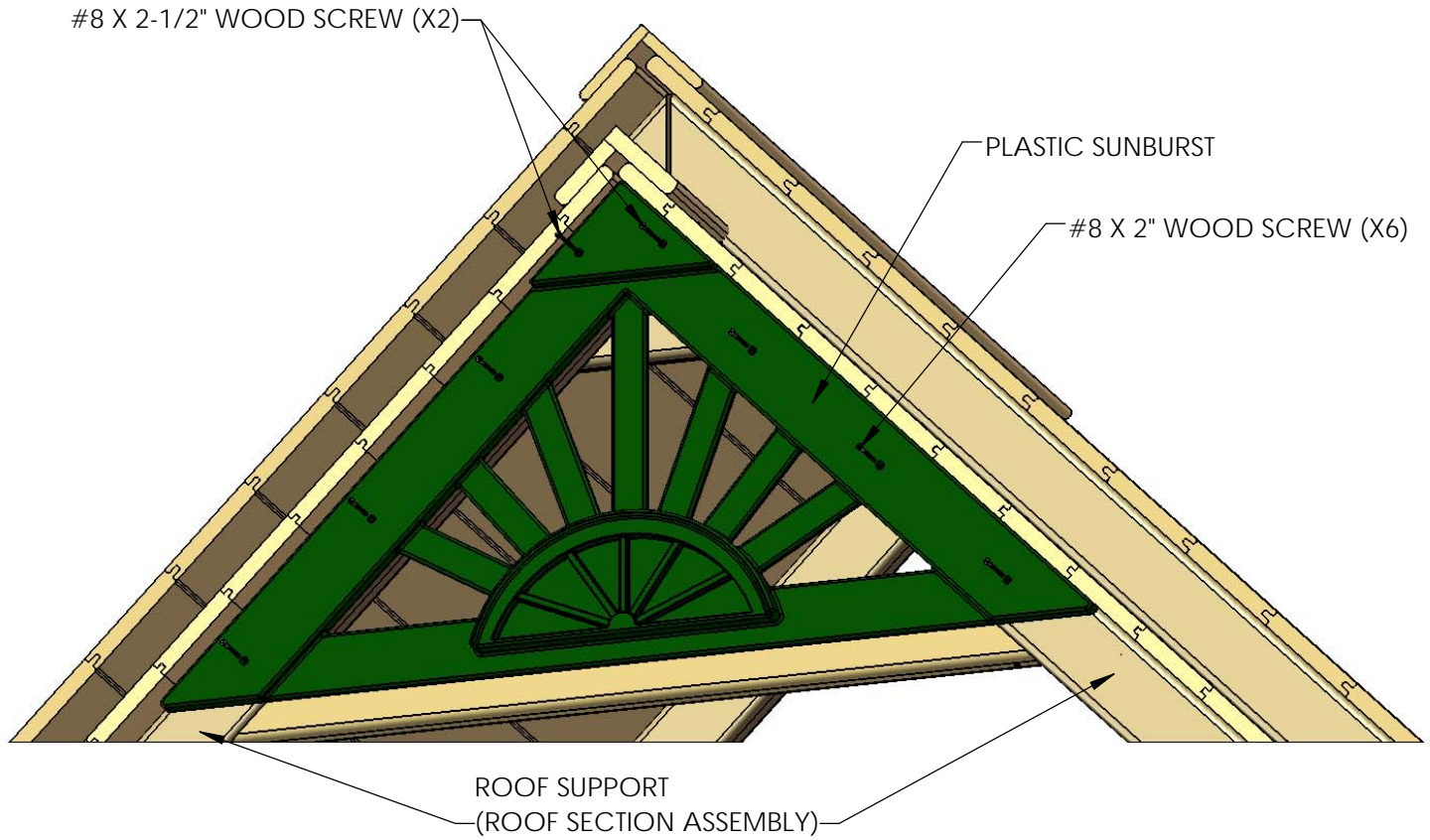
STEP 5: SUN SUPPORT

1: PLACE THE 2 X 3 X 35.70" SUN SUPPORT IN BETWEEN THE ROOF SUPPORTS. FASTEN USING #8 X 2-1/2" WOOD SCREWS THROUGH THE PRE-DRILLED HOLES ON EACH END, MAKE SURE THERE ARE NO GAPS IN BETWEEN THE SUN SUPPORT AND THE ROOF SUPPORT.



STEP 6: PLASTIC SUNBURST

1: MOUNT THE PLASTIC SUNBURST TO THE ROOF SUPPORTS ON THE ROOF SECTION ASSEMBLY, THE PLASTIC SUNBURST MUST BE UP AGAINST THE OVERHANGING ROOF BOARDS. FASTEN THE PLASTIC SUNBURST TO THE ROOF SUPPORTS USING TWO #8 X 2-1/2" WOOD SCREWS ON THE TOP AND SIX #8 X 2" WOOD SCREWS ON THE REMAINING HOLES.



STEP 7: WALL PANEL BOARDS

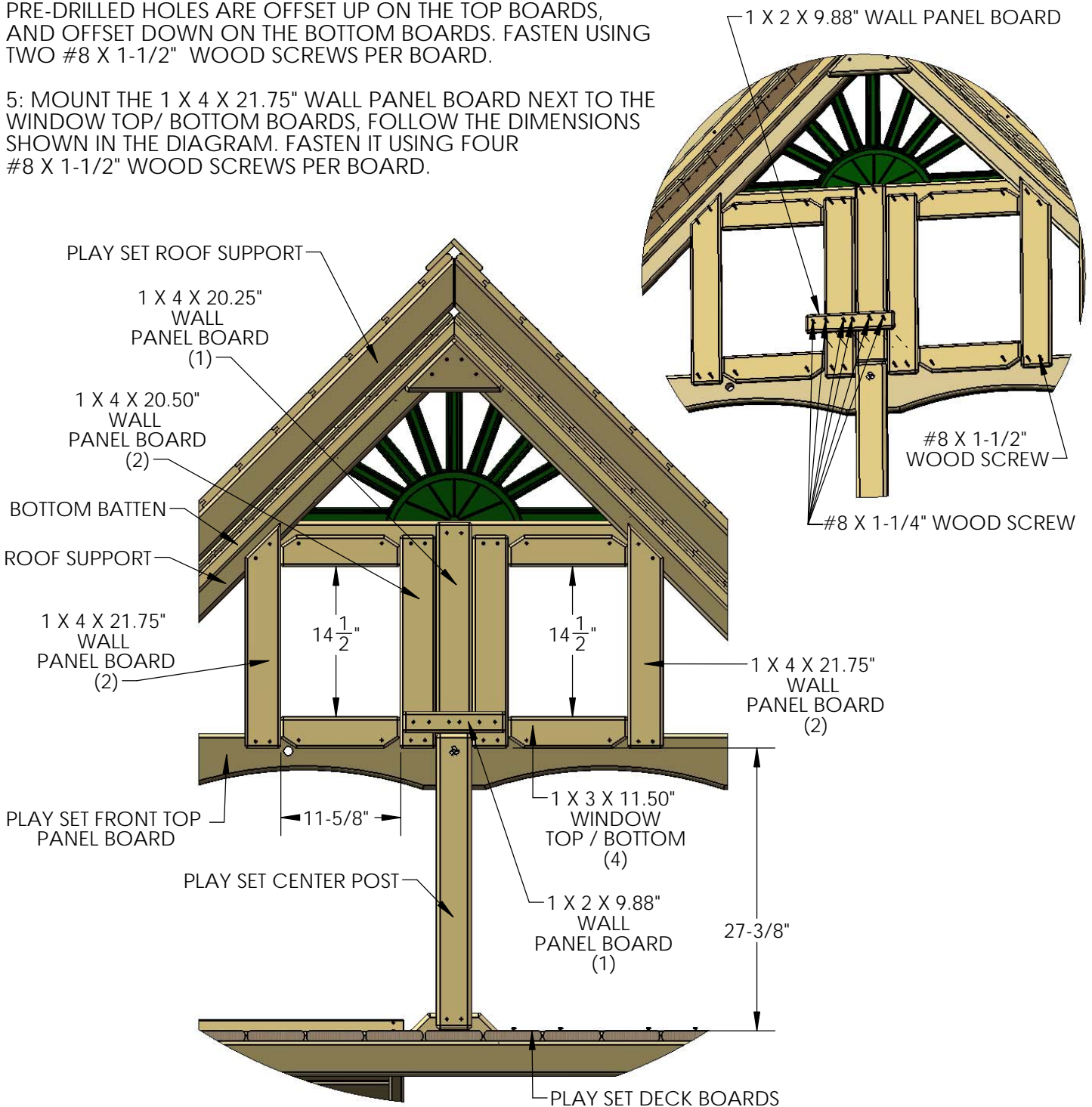
1: MOUNT THE 1 X 4 X 20.25" WALL PANEL BOARD ABOVE THE PLAY SET CENTER POST. THE END WITH TWO PRE-DRILLED HOLES SHOULD BE OFFSET TO THE TOP. MAKE SURE IT IS STRAIGHT VERTICALLY AND FASTEN IT TO THE SUN SUPPORT USING TWO #8 X 1-1/2" WOOD SCREWS.

2: MOUNT ONE 1 X 4 X 20.50" WALL PANEL BOARD ON EACH SIDE OF THE CENTER BOARD PREVIOUSLY INSTALLED. THE BOTTOM END MUST BE 27-3/8" FROM THE TOP OF THE PLAY SET DECK BOARDS. FASTEN IT TO THE SUN SUPPORT AND PLAY SET FRONT TOP PANEL BOARD USING TWO #8 X 1-1/2" WOOD SCREWS ON EACH END PER BOARD.

3: MOUNT THE 1 X 2 X 9.88" WALL PANEL BOARD HORIZONTALLY ABOVE THE PLAY SET CENTER POST CENTERED BETWEEN THE WALL PANEL BOARDS PREVIOUSLY INSTALLED, FASTEN USING SIX #8 X 1-1/4" WOOD SCREWS.

4: MOUNT THE 1 X 3 X 11.50" WINDOW TOP/BOTTOM USING THE DIMENSIONS SHOWN IN THE DIAGRAM. MAKE SURE THE PRE-DRILLED HOLES ARE OFFSET UP ON THE TOP BOARDS, AND OFFSET DOWN ON THE BOTTOM BOARDS. FASTEN USING TWO #8 X 1-1/2" WOOD SCREWS PER BOARD.

5: MOUNT THE 1 X 4 X 21.75" WALL PANEL BOARD NEXT TO THE WINDOW TOP/ BOTTOM BOARDS, FOLLOW THE DIMENSIONS SHOWN IN THE DIAGRAM. FASTEN IT USING FOUR #8 X 1-1/2" WOOD SCREWS PER BOARD.

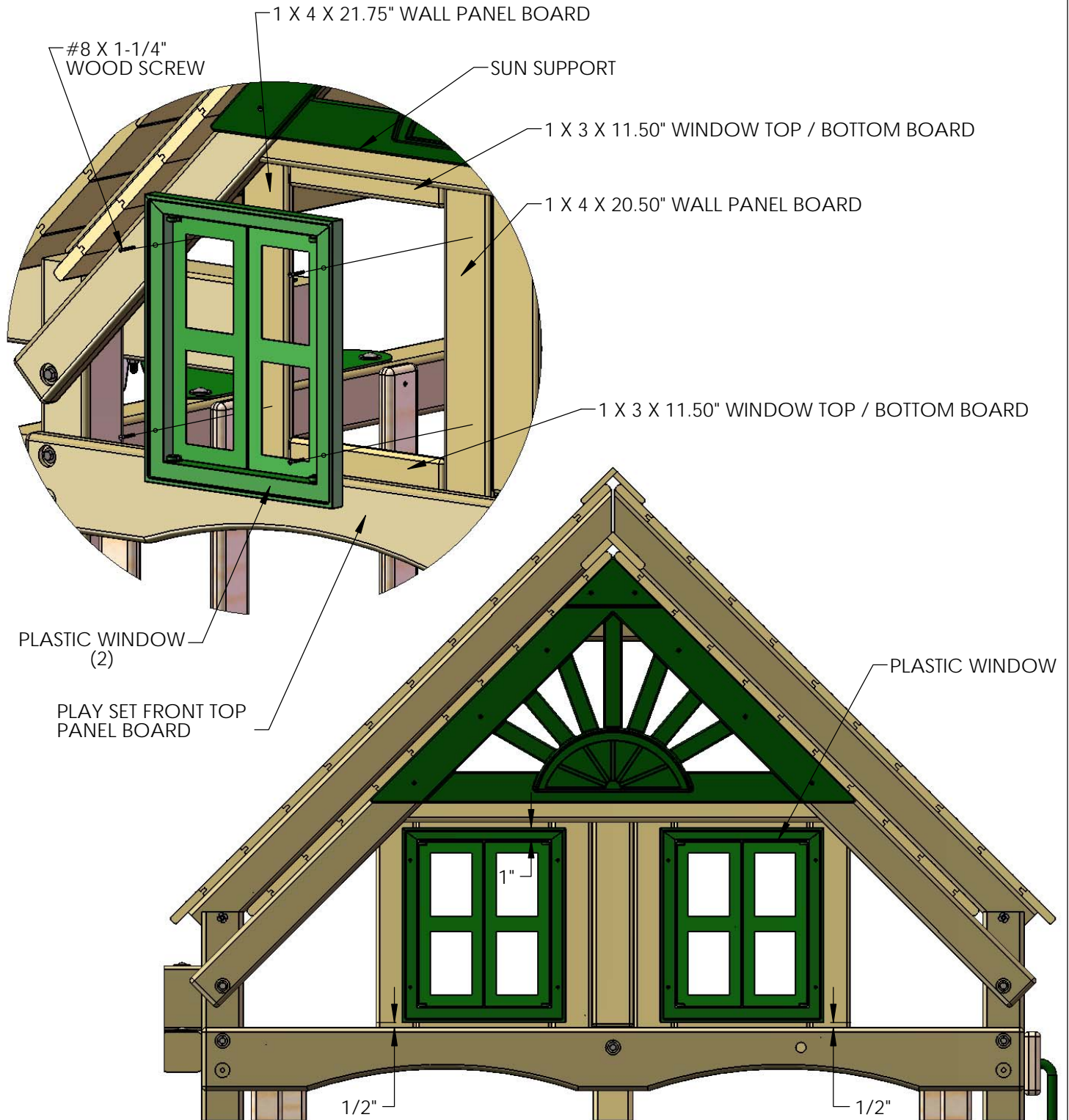


STEP 8: PLASTIC WINDOWS

1: PLACE EACH PLASTIC WINDOW INTO THE FRONT OPENINGS, WITH THE 1" WIDE SECTION OF THE WINDOW FRAME AT THE TOP. ATTACH EACH WINDOW WITH FOUR #8 X 1-1/4" WOOD SCREWS.

2: PLACE THE CROWN OVER THE SUN PIECE ON THE FRONT OF THE PLAY SET ABOVE THE PLASTIC WINDOWS.

3: ATTACH THE CROWN TO THE SUN WITH #8 X 1-1/4" WOOD SCREWS.



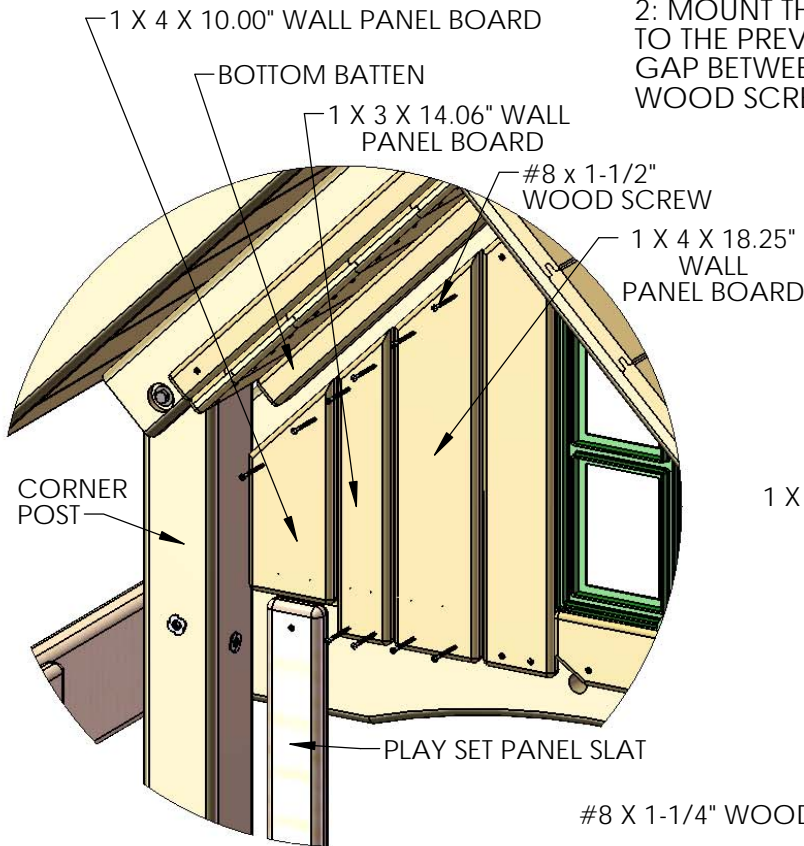
FRONT OF PLAY SET

STEP 9: WALL PANEL BOARDS

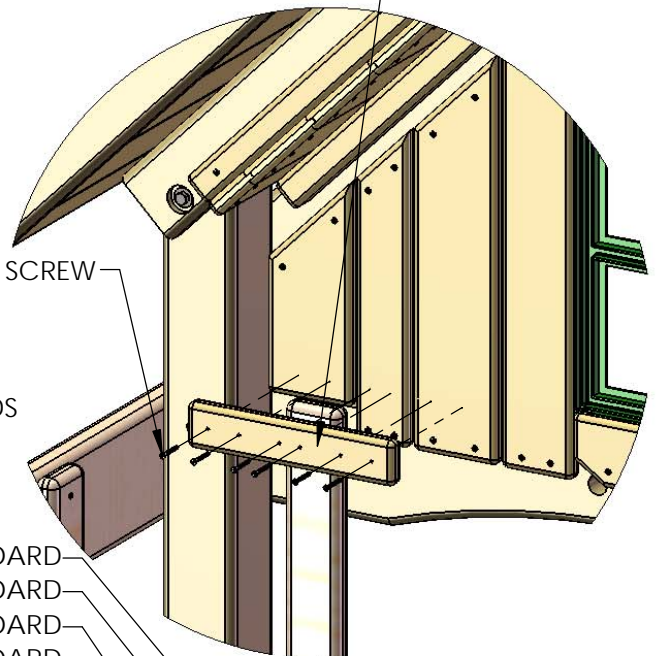
1: MOUNT THE 1 X 4 X 18.25" WALL PANEL BOARD NEXT TO THE PREVIOUSLY INSTALLED PANEL BOARD, LEAVING A 1/4" GAP BETWEEN THEM. FASTEN IT USING FOUR #8 X 1-1/2" WOOD SCREWS.

2: MOUNT THE 1 X 3 X 14.06" WALL PANEL BOARD NEXT TO THE PREVIOUS WALL PANEL BOARD LEAVING A 1/4" GAP BETWEEN THEM. FASTEN IT USING FOUR #8 X 1-1/2" WOOD SCREWS.

3: MOUNT THE 1 X 4 X 10.00" WALL PANEL BOARD NEXT TO THE PREVIOUS WALL PANEL BOARD LEAVING A 1/4" GAP BETWEEN THEM. THE BOTTOM END (WITH NO PRE-DRILLED HOLES) SHOULD BE RESTING ON TOP OF THE PLAY SET PANEL SLAT. FASTEN IT TO THE ROOF SUPPORT USING TWO #8 X 1-1/2" WOOD SCREWS.



1 X 2 X 9.88" WALL PANEL BOARD



4: MOUNT THE 1 X 2 X 9.88" WALL PANEL BOARD CENTERED ON TOP OF THE PREVIOUS WALL PANEL BOARDS. IT SHOULD BE ABOVE THE PLAY SET PANEL SLAT AS SHOWN IN THE DIAGRAM. MAKE SURE THE HOLES ARE CENTERED ON EACH OF THE BOARDS AND FASTEN IT USING SIX #8 X 1-1/4" WOOD SCREWS.

REPEAT SUB-STEP 1 TO 4 FOR THE OTHER SIDE.

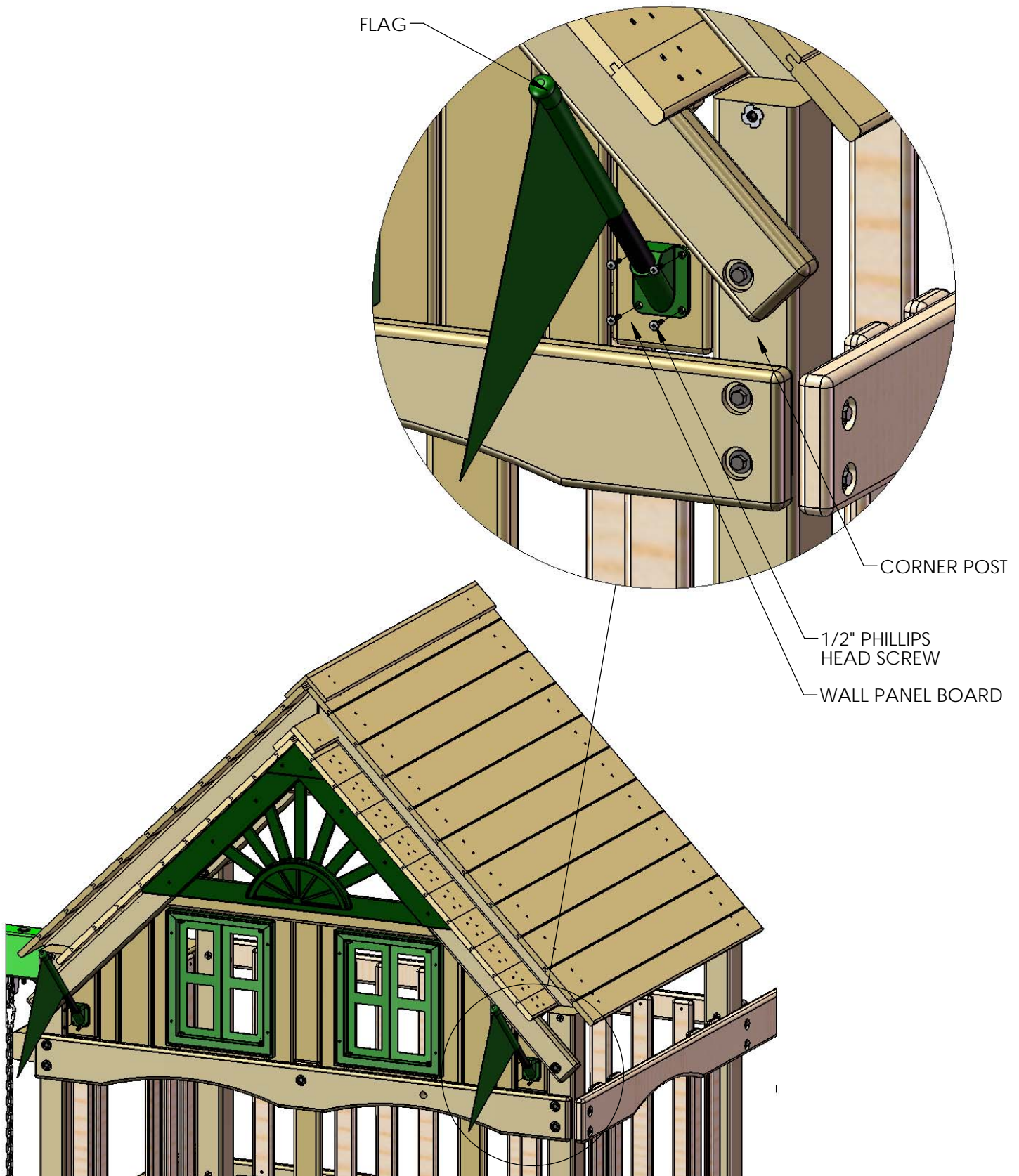
- 1 X 4 X 10.00" WALL PANEL BOARD
- 1 X 3 X 14.06" WALL PANEL BOARD
- 1 X 4 X 18.25" WALL PANEL BOARD
- 1 X 2 X 9.88" WALL PANEL BOARD



STEP 10: FLAG KIT

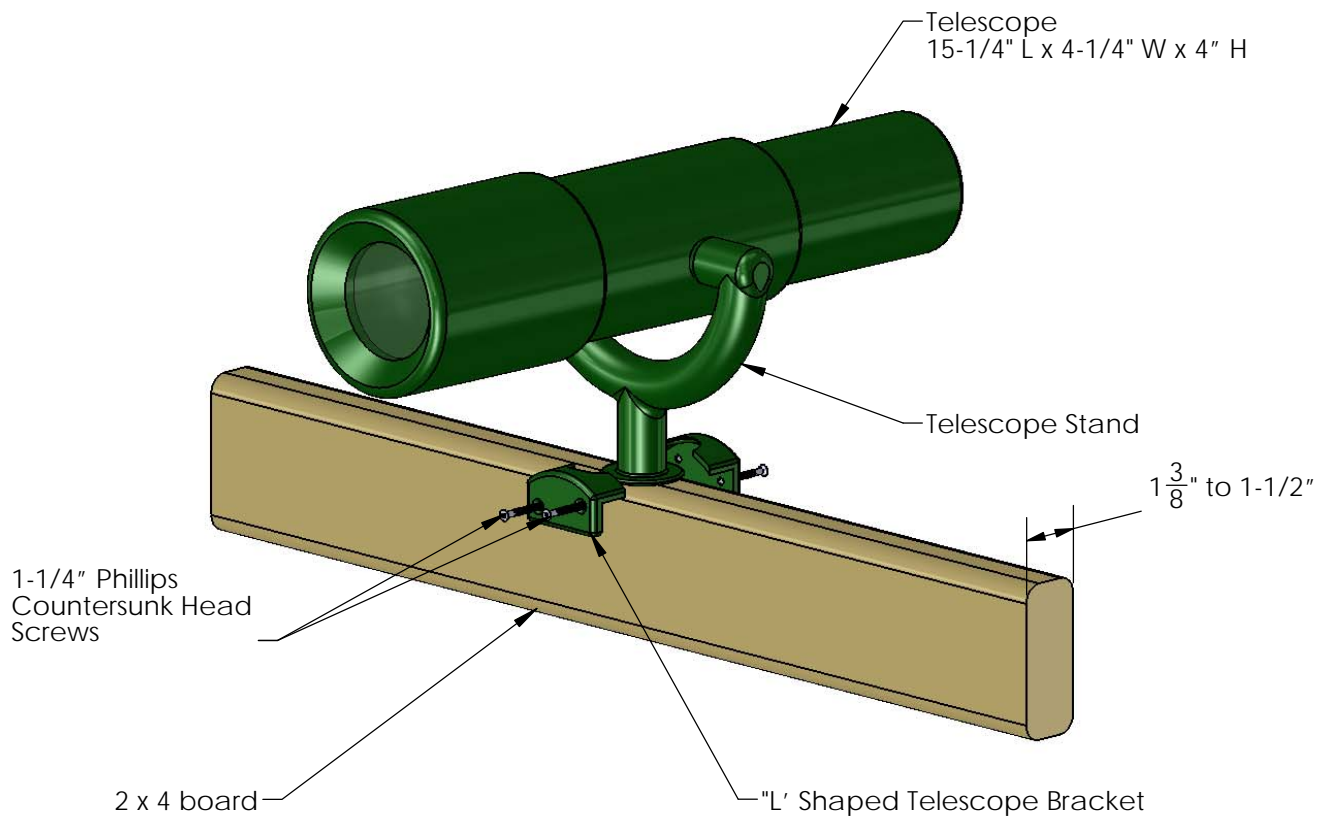
1: PLACE A FLAG CENTERED ON THE WALL PANEL BOARD NEXT TO THE CORNER POST AT THE FRONT OF THE FORT.

2: ATTACH THE BASE OF THE FLAG WITH THE 1/2" PHILLIPS HEAD SCREWS PROVIDED.
****DO NOT OVER TIGHTEN****



Telescope (07-0001) Mounting to 2 x 4 board

- 1: Place one of the "L" shaped Telescope Brackets against the 2 x 4 so that the bracket section with the cutout faces up. Fasten the Telescope Bracket to the 2 x 4 with the 1-1/4" phillips countersunk head screws provided.
- 2: Place the Telescope Stand inside the cutout section of the Telescope Bracket on top of the 2 x 4.
- 3: Place another "L" shaped Telescope Bracket directly across from the other Telescope Bracket. Fasten the Telescope Bracket to the 2 x 4 with the 1-1/4" phillips countersunk head screws provided.



(See **Mounting to 4 x 4 Board** on the other side of this sheet if you wish to mount the Telescope on the top of a 4 x 4 Board.)

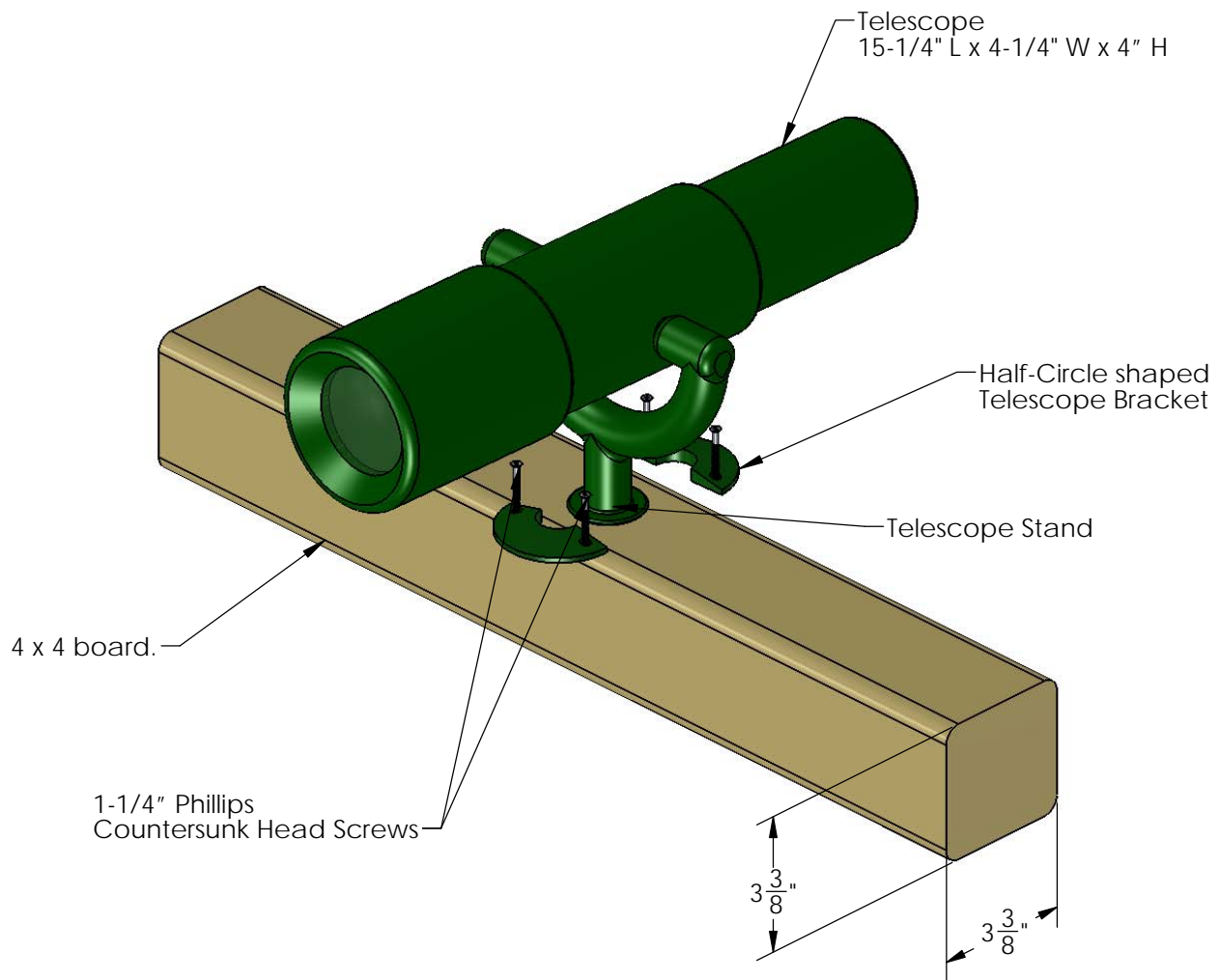
!WARNING! **DO NOT LOOK INTO SUN OR OTHER BRIGHT LIGHTS WITH TELESCOPE**

Please note: Telescope does not magnify objects. Telescope is intended for make-believe-play by children.

FOR RESIDENTIAL USE ONLY
FOR CHILDREN AGES 3-11

Telescope (07-0001) Mounting to 4 x 4 board

- 1: Center the Telescope Stand on top of the 4 x 4 board.
- 2: Place the notched area of one of the half-circle shaped Telescope Brackets over the top of the Telescope Stand. Attach the half-circle shaped Telescope Bracket to the top of the 4 x 4 board with the 1-1/4" phillips countersunk head screws provided.
- 3: Place the notched area of the second half-circle shaped Telescope Bracket over the top of the Telescope Stand. Attach the half-circle shaped Telescope Bracket to the top of the 4 x 4 board with the 1-1/4" phillips countersunk head screws provided.



(See **Mounting to 2 x 4 Board** on the other side of this sheet if you wish to mount the Telescope on the top of a 2 x 4 Board.)

!WARNING! **DO NOT LOOK INTO SUN OR OTHER BRIGHT LIGHTS WITH TELESCOPE**

Please note: Telescope does not magnify objects. Telescope is intended for make-believe-play by children.

FOR RESIDENTIAL USE ONLY
FOR CHILDREN AGES 3-11